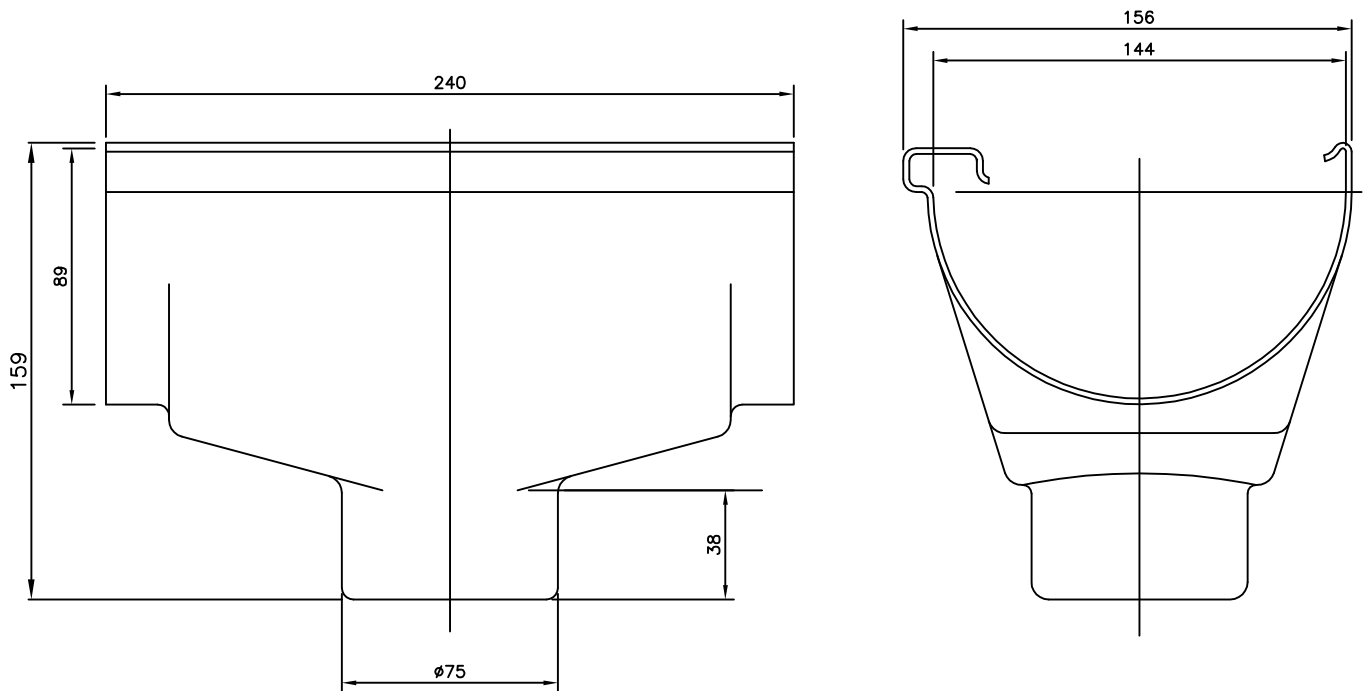


Kundetegning



NOTE:

Farve	Varenr.	TUN-nr.
Grå	5122142	1093160
Hvid	5122342	1743053
Grafit	5122242	1743046
Brun	5122442	1743061
Sort	5122542	5354069

Plastmo®

ACO Nordic A/S
 Odinsvej 9, 4100 Ringsted, Denmark
 Phone (+45) 57 66 66 66
 Fax (+45) 57 66 66 67

Cad no.: 10301_K
 Date: 2003.07.07
 Correction2)2010.08.25
 Prod. Respons:

Title: Kundetegning
 Expansionstudstk. 12/75

Item no.:
 Se note

Scale:
 -

Material: PVC
 Area: mm²
 Weight: g/m

Job: Render
 Document. no.: 04.00.01

Drawn by:
 PGU

Sale. Respons:

Tool. Respons:

Cont. Respons: