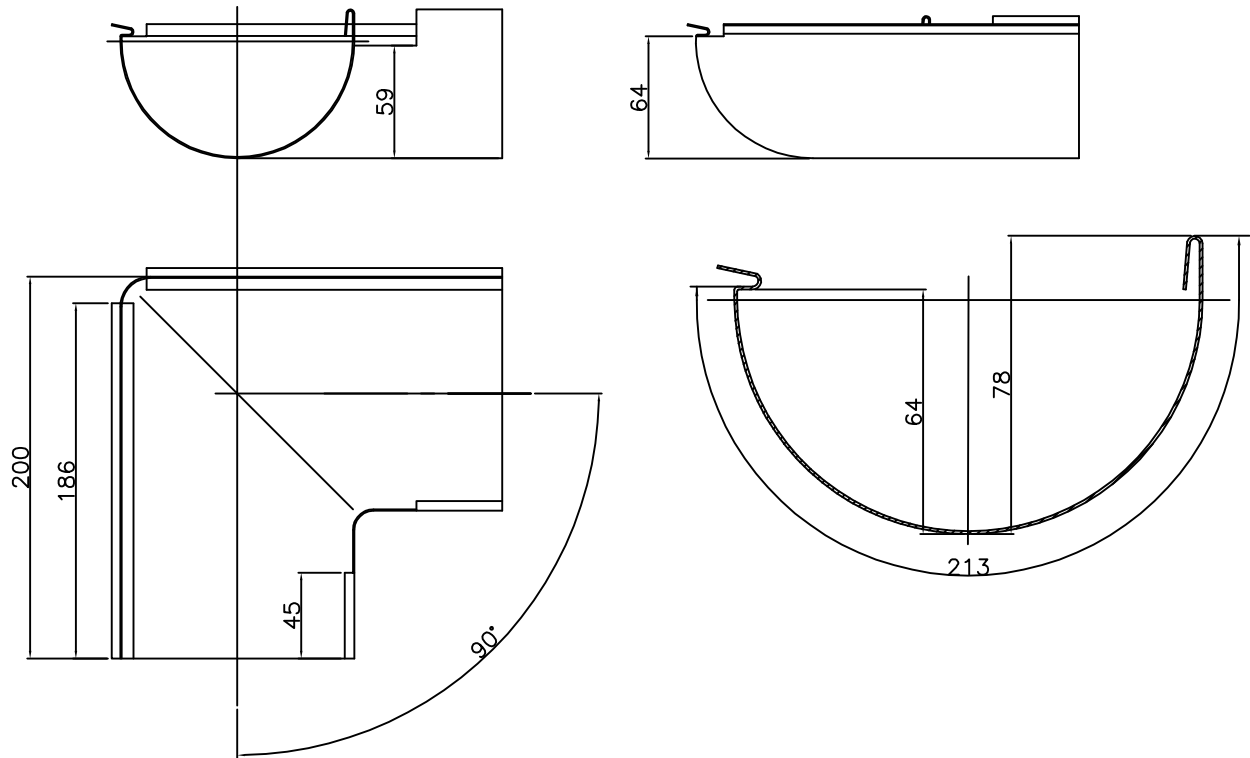


Kundetegning



NOTE:

Materiale	Varenr.	TUN-nr.
Galv.stål	5934001	5619024
Titanzink	6018001	5725671
Aluzink	5034001	1425248

Plastmo®

ACO Nordic A/S
 Odinsvej 9, 4100 Ringsted, Denmark
 Phone (+45) 57 66 66 66
 Fax (+45) 57 66 66 67

Cad no.: 10421_K
 Date: 2001.09.21
 Correction:1)2010.11.05
 Prod. Respons:

Title: Kundetegning
 Gering nr. 11 90° udv.

Item no.:
 Se note

Scale:
 -

Material: Se note Area: mm² Weight: g/m

Job: Render Document. no.: 04.00.01 Drawn by: PGU

Sale. Respons:

Tool. Respons:

Cont. Respons: