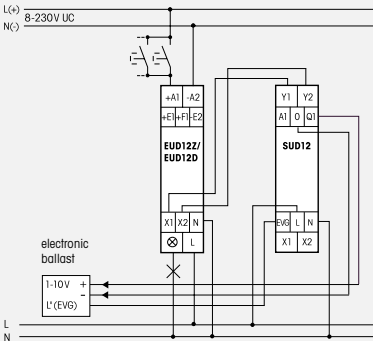


# 1-10V controller SUD12/1-10V for universal dimmer switches

1 NO contact not potential free 16 A/250V AC and output for electronic ballast up to 40 mA. Standby loss 0,9 Watt only.

**The controller SUD12 can be used in two different modes:**

## 1-10V output



In this mode electronic ballast and transformers with a 1-10V interface up to a total control current of 40 mA can be controlled when connected to an universal dimmer switch EUD12Z or EUD12D.

The EUD12Z or the EUD12D is controlled with pushbuttons at the universal control voltage input locally or centrally. The SUD12 converts the dimmer signals from Y1/Y2 to the 1-10V output O/Q1 for the interface.

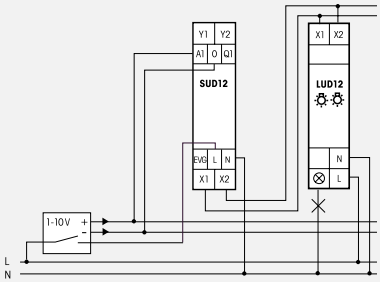
It switches the electronic ballast and transformers with a bistable relay at the output EVG (electronic ballast). **Zero passage switching to protect contacts.** The switching capacity for fluorescent lamps or low voltage halogen lamps with electronic ballast is up to 600 VA.

**By using a bistable relay coil power loss and heating is avoided even in the on mode.**


The switched load may not be connected to the mains before the short automatic synchronisation after installation has terminated.

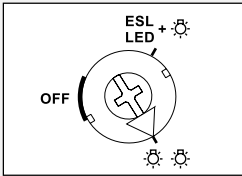
**At the same time a directly dimmable lamp can be connected to the universal dimmer switch EUD12. Furthermore the universal dimmer switch EUD12 can be expanded with capacity enhancers LUD12 for directly dimmable lamps as described in the operating instructions of the LUD12.**

## 1-10V input



In this mode the output of a 1-10V controller can be converted at A1/O into a direct dimming function when connected to a capacity enhancer LUD12 at terminals X1/X2. The closing operation and the opening operation is also carried out externally at L of the SUD12.

**The rotary switch of the LUD12 must be adjusted to the setting  (additional lamps).**



Further capacity enhancers LUD12 in the mode "increase of capacity with additional lamps" can be connected to the controller SUD12 as described in the operating instructions of the LUD12.

A 100K potentiometer for brightness control may also be directly connected to the control input A1/O. If the input A1/O is disconnected the LUD12 dims to maximum brightness.



The strain relief clamps of the terminals must be closed, that means the screws must be tightened for testing the function of the device. The terminals are open ex works.

## Important Note!

**Only skilled electricians may install this electrical equipment otherwise there is the risk of fire or electric shock.**