

# Produktdatablad

Specifikationer



## Harmony trykknaphoved i plast med fjeder-retur og plan trykflade i sort farve

El-nr.: 7517901019 ZB5AA2

EAN-nr : 3389110904437

### Egenskaber

Produktserie	Harmony XB5
Produkttype	Hoved til trykknop
Enheds forkortelse	ZB5
Materiale og farve på frontring	Mørkegrå plast
Montagediameter	22 mm
Hovedtype	Standard
Mindst mulige salgsantal	1
Form på hoved	Rundt
Betjeningsprofil	fjeder-retur
Betjeningsprofil	Sort Plan, Uden mærkning

### Produktinformationer

Bredde	29 mm
Højde	29 mm
Dybde	28 mm
Vægt	0,018 kg
Mekanisk holdbarhed	10000000 kredsløb
Kanalnavn	XALD 1...5 montagehuller XALK 2...5 montagehuller
Kode for elektrisk sammensætning	C1 til <9 kontakter benytter enkelt blokke i Montering forfra C2 til <9 kontakter benytter enkelt og dobbelt blokke i Montering forfra C11 til <3 kontakter benytter enkelt blokke i Montering forfra C15 til <1 kontakter benytter enkelt blokke i Montering forfra SF1 til <3 kontakter benytter enkelt blokke i Montering forfra SR1 til <3 kontakter benytter enkelt blokke i Montering bagfra
Præsentation af enhed	Som løsdele

### miljø

Beskyttelsesbehandling	TH
Omgivelsestemperatur ved opbevaring	-40...70 °C
Omgivelsestemperatur under drift	-40...70 °C
Overspændingskategori	Klasse II i henhold til IEC 60536

<b>IP kapslingsklasse</b>	IP66 i henhold til IEC 60529 IP67 IP69 IP69K
<b>NEMA kapslingsklasse</b>	NEMA 13 NEMA 4X
<b>Modstandsdygtighed overfor højtryksrensning</b>	7000000 Pa ved 55 °C, distance : 0.1 m
<b>IP kapslingsklasse</b>	IK03 i henhold til IEC 50102
<b>Standarder</b>	JIS C8201-5-1 EN/IEC 60947-1 EN/IEC 60947-5-1 CSA C22.2 No 14 EN/IEC 60947-5-4 UL 508 JIS C8201-1
<b>Produktcertificeringer</b>	CSA LR0S (Lloyds register of shipping) DNV UL listet GL BV
<b>Modstandsdygtighed overfor stød</b>	30 gn (varighed = 18 milisekund) til Halv sinusbølge acceleration i henhold til IEC 60068-2-27 50 gn (varighed = 11 milisekund) til Halv sinusbølge acceleration i henhold til IEC 60068-2-27
<b>Vibrationsmodstand</b>	5 gn (f= 2...500 Hz) i henhold til IEC 60068-2-6

## Forpakkingsinformation

<b>Enhedstype forpakning 1</b>	PCE
<b>Antal enheder forpakning 1</b>	1
<b>Forpakning 1 vægt</b>	17 g
<b>Forpakning 1 højde</b>	4,4 cm
<b>Forpakning 1 bredde</b>	3,4 cm
<b>Forpakning 1 længde</b>	5,4 cm
<b>Enhedstype forpakning 2</b>	BB1
<b>Antal enheder forpakning 2</b>	5
<b>Forpakning 2 vægt</b>	85 g
<b>Forpakning 2 højde</b>	3,4 cm
<b>Forpakning 2 bredde</b>	4,4 cm
<b>Forpakning 2 længde</b>	26,5 cm
<b>Enhedstype forpakning 3</b>	S03
<b>Antal enheder forpakningstype 3</b>	300
<b>Forpakning 3 vægt</b>	5,647 kg
<b>Forpakning 3 højde</b>	30 cm
<b>Forpakning 3 bredde</b>	30 cm
<b>Forpakning 3 længde</b>	40 cm

## Bæredygtighed

<b>Bæredygtighed</b>	Green Premium-produkt
<b>REACH-regulering</b>	<a href="#">REACH-erklæring</a>
<b>REACH uden SVHC</b>	Ja
<b>EU RoHS-direktiv</b>	Proaktiv overensstemmelse (produkt ikke omfattet af EU RoHS) <a href="#">EU RoHS-erklæring</a>

---

Uden giftige tungmetaller	Ja
Kviksølvfri	Ja
Oplysninger om RoHS-undtagelse	<a href="#">Ja</a>
Kina RoHS-regulering	<a href="#">Kina RoHS-erklæring</a>
Miljømæssige oplysninger	<a href="#">Miljøprofil for produkt</a>
Cirkularitetsprofil	<a href="#">Oplysninger om udtjent udstyr</a>

---

## Garanti

---

Garanti	18 months
---------	-----------

---

## samhandelsbetingelser DK

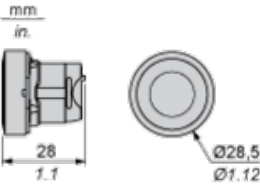
---

Lagerkode	På lager
-----------	----------

---

**Dimensions**

---



**Panel Cut-out for Pushbuttons, Switches and Pilot Lights (Finished Holes, Ready for Installation)**

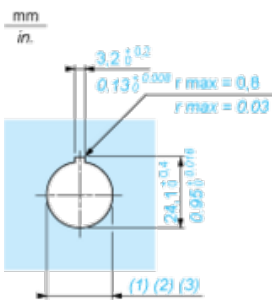
**Connection by Screw Clamp Terminals or Plug-in Connectors or on Printed Circuit Board**



- (1) Diameter on finished panel or support
- (2) For selector switches and Emergency stop buttons, use of an anti-rotation plate type ZB5AZ902 is recommended.
- (3)  $\varnothing 22.5$  mm recommended ( $\varnothing 22.3 \text{ }_0^{+0.4}$ ) /  $\varnothing 0.89$  in. recommended ( $\varnothing 0.88 \text{ in. }_0^{+0.016}$ )

Connections	a in mm	a in in.	b in mm	b in in.
By screw clamp terminals or plug-in connector	40	1.57	30	1.18
By Faston connectors	45	1.77	32	1.26
On printed circuit board	30	1.18	30	1.18

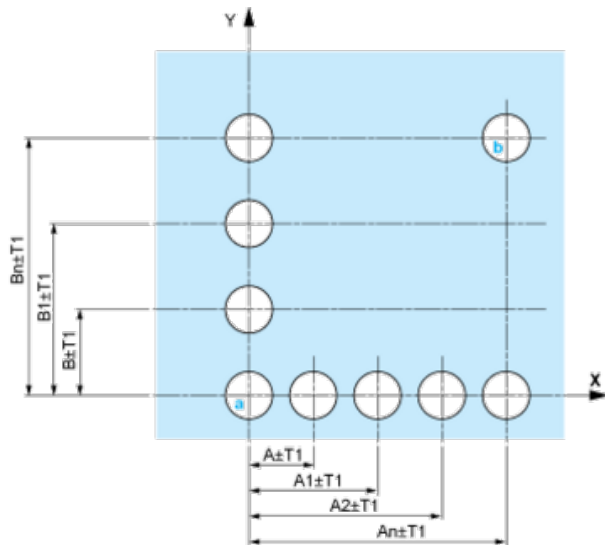
**Detail of Lug Recess**



- (1) Diameter on finished panel or support
- (2) For selector switches and Emergency stop buttons, use of an anti-rotation plate type ZB5AZ902 is recommended.
- (3)  $\varnothing 22.5$  mm recommended ( $\varnothing 22.3 \text{ }_0^{+0.4}$ ) /  $\varnothing 0.89$  in. recommended ( $\varnothing 0.88 \text{ in. }_0^{+0.016}$ )

**Pushbuttons, Switches and Pilot Lights for Printed Circuit Board Connection**

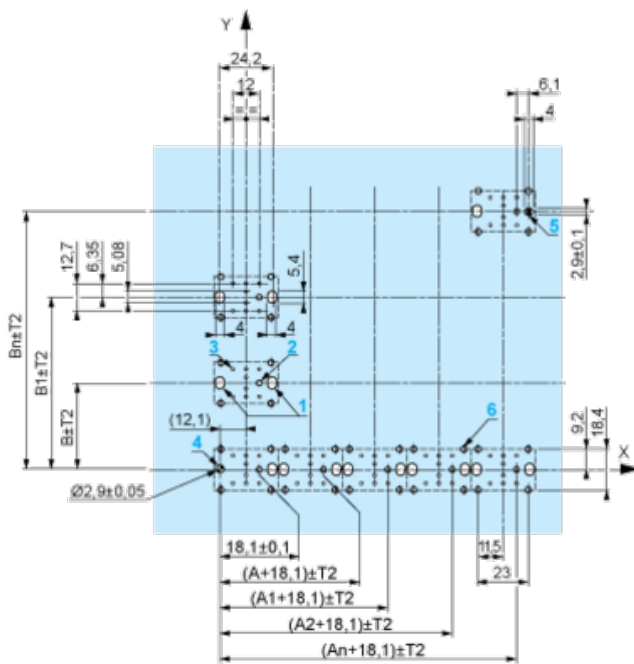
**Panel Cut-outs (Viewed from Installer's Side)**



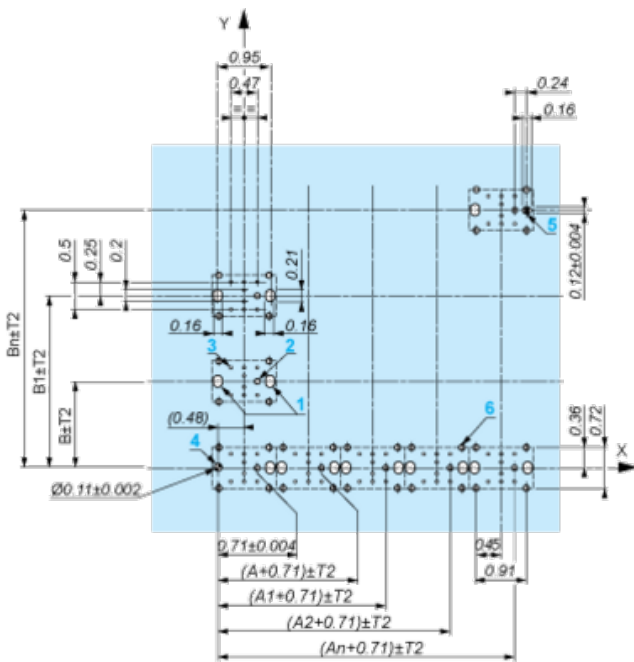
- A: 30 mm min. / 1.18 in. min.
- B: 40 mm min. / 1.57 in. min.

**Printed Circuit Board Cut-outs (Viewed from Electrical Block Side)**

Dimensions in mm



- A: 30 mm min.
  - B: 40 mm min.
- Dimensions in in.



A: 1.18 in. min.

B: 1.57 in. min.

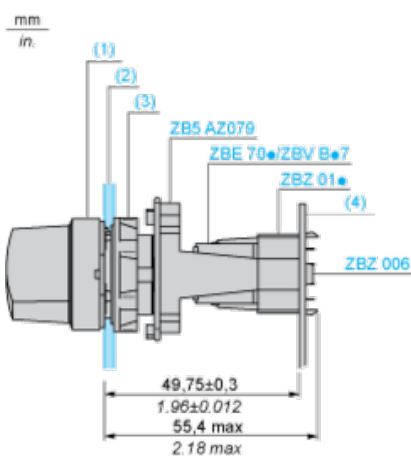
### General Tolerances of the Panel and Printed Circuit Board

The cumulative tolerance must not exceed 0.3 mm / 0.012 in.:  $T1 + T2 = 0.3 \text{ mm max.}$

### Installation Precautions

- Minimum thickness of circuit board: 1.6 mm / 0.06 in.
- Cut-out diameter: 22.4 mm  $\pm$  0.1 / 0.88 in.  $\pm$  0.004
- Orientation of body/fixing collar ZB5AZ009:  $\pm 2^\circ 30'$  (excluding cut-outs marked **a** and **b**).
- Tightening torque of screws ZBZ006: 0.6 N.m (5.3 lbf.in) max.
- Allow for one ZB5AZ079 fixing collar/pillar and its fixing screws:
  - every 90 mm / 3.54 in. horizontally (X), and 120 mm / 4.72 in. vertically (Y).
  - with each selector switch head (ZB5AD•, ZB5AJ•, ZB5AG•).

The fixing centers marked **a** and **b** are diagonally opposed and must align with those marked **4** and **5**.



(1) Head ZB5AD•

(2) Panel

(2) Nut

(4) Printed circuit board

### Mounting of Adapter (Socket) ZBZ01•

- 1 2 elongated holes for ZBZ006 screw access
- 2 1 hole  $\varnothing$  2.4 mm  $\pm$  0.05 / 0.09 in.  $\pm$  0.002 for centring adapter ZBZ01•
- 3 8  $\times$   $\varnothing$  1.2 mm / 0.05 in. holes
- 4 1 hole  $\varnothing$  2.9 mm  $\pm$  0.05 / 0.11 in.  $\pm$  0.002, for aligning the printed circuit board (with cut-out marked **a**)
- 5 1 elongated hole for aligning the printed circuit board (with cut-out marked **b**)
- 6 4 holes  $\varnothing$  2.4 mm / 0.09 in. for clipping in adapter ZBZ01•

Dimensions  $An + 18.1$  relate to the  $\varnothing$  2.4 mm  $\pm$  0.05 / 0.09 in.  $\pm$  0.002 holes for centring adapter ZBZ01•.

**Electrical Composition Corresponding to Code C1**

---





**Electrical Composition Corresponding to Code C2**

---



**Electrical Composition Corresponding to Codes C9, C11, SF1 and SR1**

---



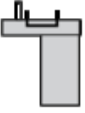
**Electrical Composition Corresponding to Code C15**

---

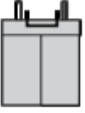
1 N/O



1 N/C



1 N/O + N/C or 1 N/O + N/O or 1 N/C + N/C



**Legend**

---

Single contact



Double contact



Light block



Possible location

