

OSRAM's smallest transformer

OSRAM has developed two new extremely small electronic transformers specifically for applications where space is at a premium and for new small stylish lighting systems for low-voltage halogen lamps. HALOTRONIC® NANO (HTN) operates in the range from 20 to 75 W.

The innovative HTN 75/230 –240 I transformer with integrated cable clamp is ideal for separate installation for example in suspended ceilings. It goes where others can only hope to go. With its depth of just 70 mm, the HTN can fit in tiny ceiling openings as small as 40 mm in diameter.

HTN 75/230 –240 S does not have an integrated cable clamp and is ideal for installing in small stylish fittings. It is also perfect for use with the world's smallest halogen reflector lamp, the MINISTAR® von OSRAM.

Brilliant thermal properties

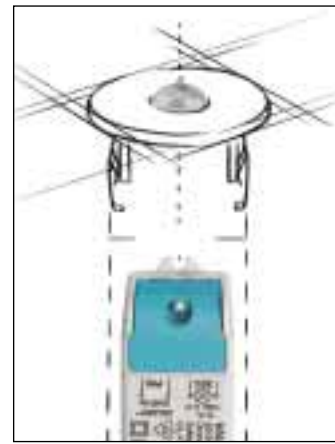
Despite its very small casing dimensions HALOTRONIC® NANO has a high thermal load capacity. Many similar electronic transformers reduce their output as the ambient temperature rises. This is not the case with OSRAM's HTN transformer. It will operate perfectly up to an ambient temperature of 50°C, making its full power available at its output. The luminous flux and colour temperature of the lamp therefore remain constant – resulting in constant brilliant white halogen light.

Safe, reliable and compliant

Thanks to its high-grade electronic components and advanced circuit design, HALOTRONIC® NANO offers high quality, excellent safety and impressive reliability. It complies with the relevant regulations governing radio interference suppression, harmonic content and immunity. HTN carries the ENEC approval mark for safety and performance and also the MM mark which means that it can be installed on materials for which the combustion temperatures are unknown. This is of particular benefit for installing the unit in furniture.

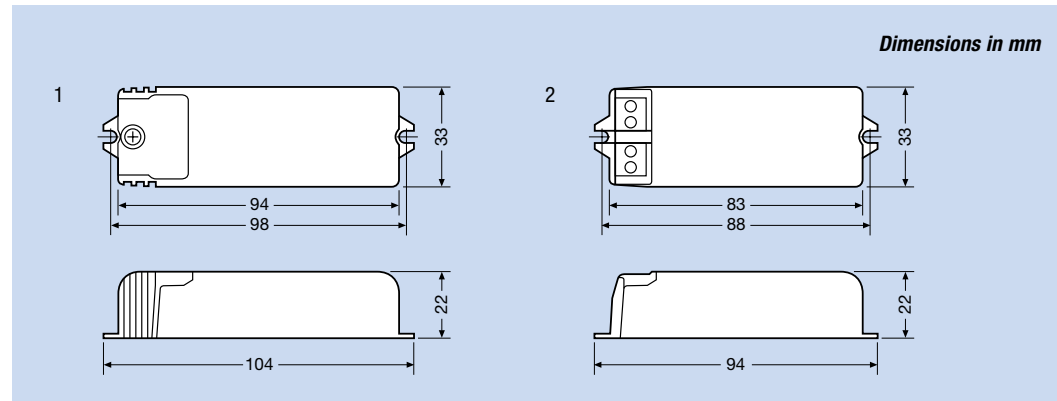


With HTN S even the smallest fittings are no problem at all.
Photo: buschfeld design gmbh, Cologne



HTN I enables downlights to be installed in ceiling openings with a diameter of only 40 mm.

Technical data



Reference	HTN 75/230 –240 I	HTN 75/230 –240 S
Product number (EAN)	4008321073037	4008321909329
Rated voltage	230 –240 V ac	
Rated current	0.32 A _{rms}	
Mains frequency	50 –60 Hz	
Secondary voltage (at 230 V)	11.5 V (75 W), 11.7 V (20 W)	
Partial load operation	20 –75 W	
Dimming	Trailing edge phase control	
Max. permitted ambient temperature	t _a = 50°C	
Short-circuit protection	Electronic shutdown, reversible	
Overload protection	Electronic shutdown, reversible	
Overtemperature protection	Electronic shutdown, reversible	
Geometry (l×w×h)	104 mm × 33 mm × 22 mm	94 mm × 33 mm × 22 mm
Hole spacing	98 mm	88 mm
Ceiling opening/mounting height	∅ 40/70 mm	
Approval marks	CE	
Fig. no.	1	2



Extremely small, with brilliant thermal properties

HALOTRONIC® NANO – the smallest transformer from OSRAM – ideal for MINISTAR® halogen lamps

