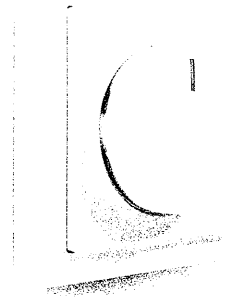
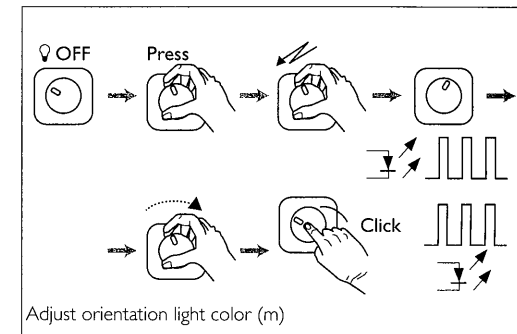
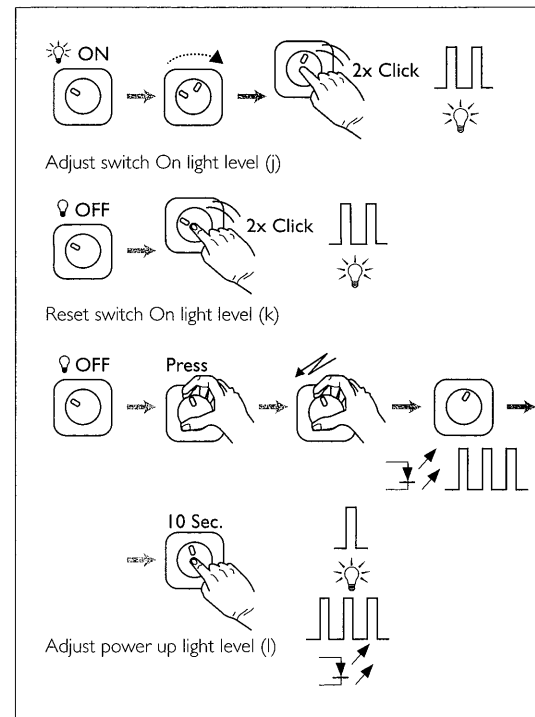
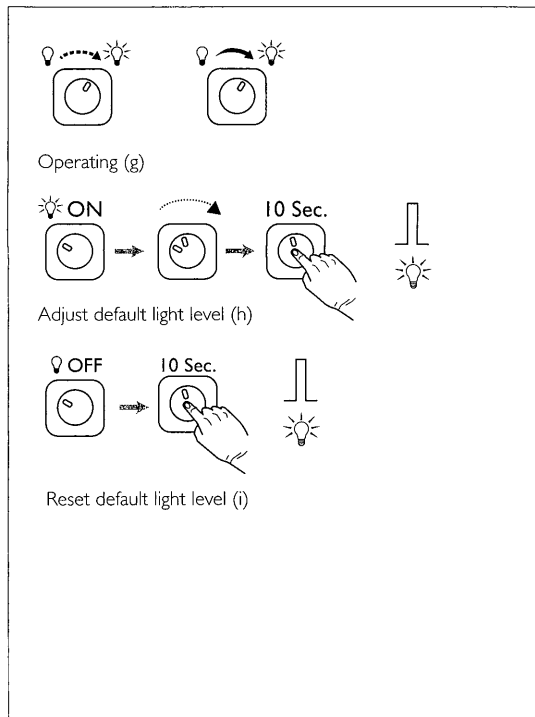
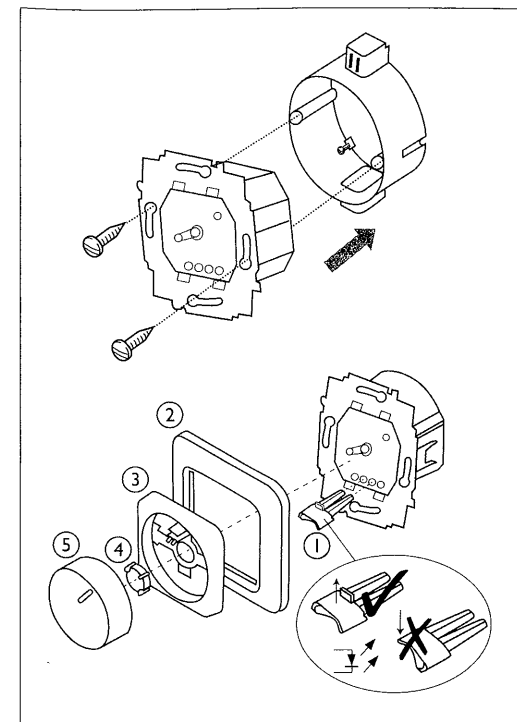
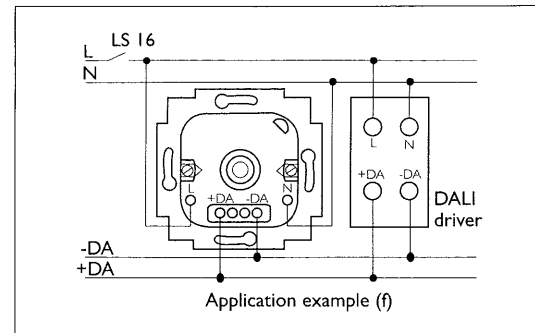
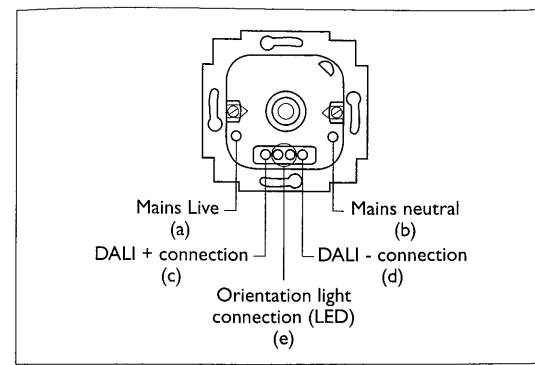
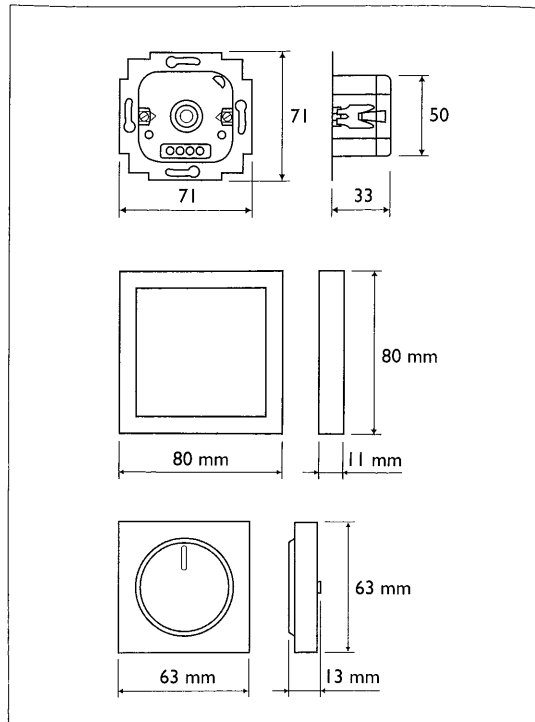


# Quick start guide

UID8620, DALI potentiometer



# PHILIPS



## Technical data

Supply	230V <sub>AC</sub> ±10%, 50-60Hz
Power consumption	≤ 2.5W
DALI output voltage	15.5V <sub>DC</sub>
DALI output current	75mA
Maximum DALI loads	37
Max. cable length in system	300m.
Protection	IP20
Overall size (l x w x h)	80.0 x 80.0 x 58.0mm
Operating temperature range	0° to +35°C