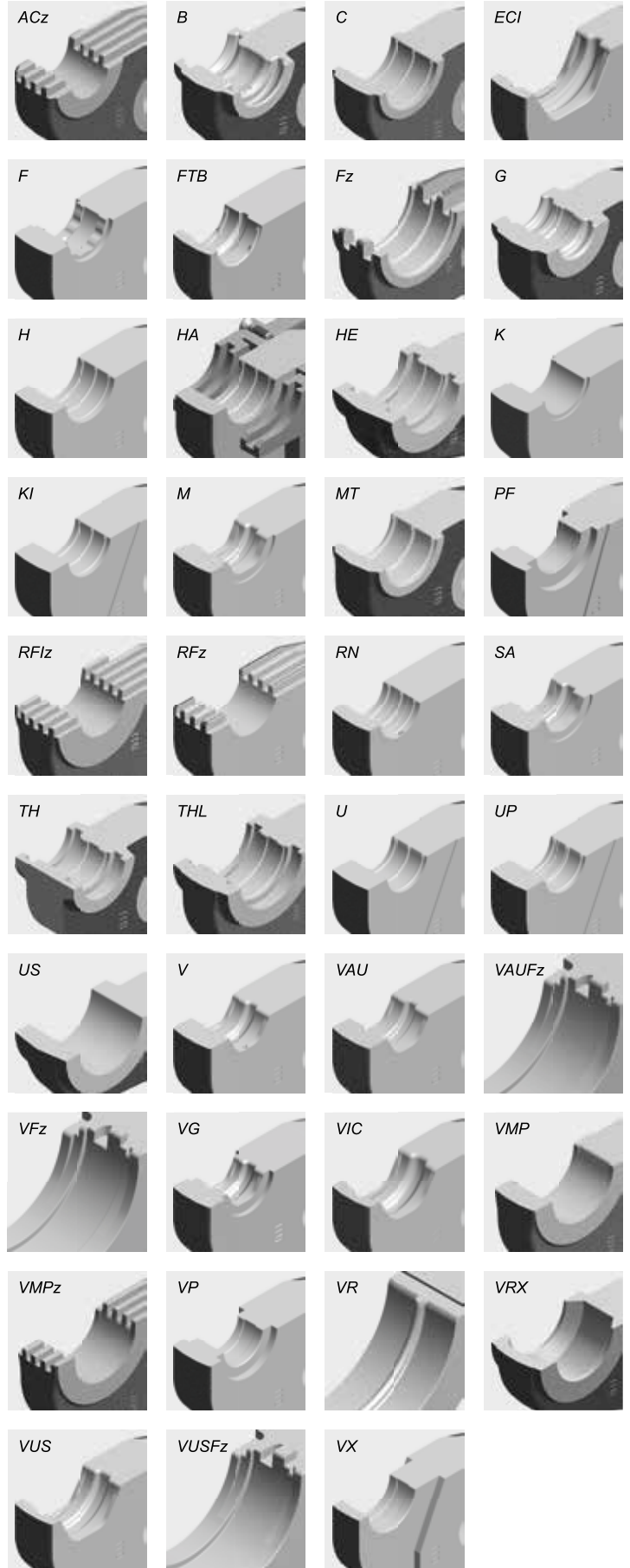


# ROLLER'S *pressing tongs* ROLLER'S *pressing rings*

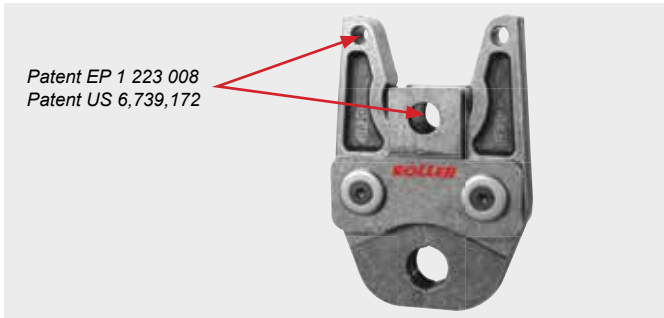


German Top Quality



**System-specific pressing tongs / pressing rings / pressing rings XL for all common press fitting systems.**

- Driven by all ROLLER'S radial presses (except ROLLER'S Multi-Press Mini ACC and ROLLER'S Multi-Press Mini 22V ACC) and by suitable drive machines of other makes.
- **Choose your own pressing tongs / pressing rings / pressing rings XL!**  
Just select the desired press fitting system and pressing tong size / pressing ring size in the table on pages 72–87.  
Please note that press fitting systems for gas installations may only be pressed with the pressing tongs/pressing rings which are highlighted in yellow in the table. Adaptor tongs, see page 87, are necessary for driving the ROLLER'S pressing rings (PR).
- **ROLLER'S pressing tongs**  
Standard version with 2 tiltable monoblock pressing jaws  
All pressing tongs marked by a \* have another connection (Patent EP 1 223 008, Patent US 6,739,172) for manual driving by the ROLLER'S Easy-Press drive unit. Read and follow the installation and assembly instructions of the system provider/manufacturer.  
ROLLER'S pressing tongs ACz, Fz, RFz, RFlz with teeth prevent burr formation on the pressing segments (Patent EP 2 027 971)
- **ROLLER'S pressing tongs (4G)**  
with 2 jointed, parallel guide pressing formers for straight pressing of medium dimensions
- **ROLLER'S pressing tongs (S)**  
with one fixed and two jointed, tiltable pressing formers, for medium dimensions.
- **ROLLER'S Pressing (PR-3S) / ROLLER'S Pressing XL (PR-3S)**  
with 3 tiltable pressing formers guided on a jointed ring for large dimension complex pressings. Optimum pressing by radially controlled movement of the pressing formers with adaptor tongs / adapter tongs XL.
- **ROLLER'S Pressing (PR-3B)**  
with 3 pressing jaws for high quality, large dimension pressings. Optimum pressing by radially controlled movement of the pressing jaws with adaptor tongs.
- **ROLLER'S Pressing 45° (PR-2B)**  
Pressing 45° (PR-2B), with 2 pressing jaws, for applying the pressing jaws safely in places of difficult access by using an inclination of 45° (Patent EP 2 774 725). Drive with adapter tongs.
- Precisely worked and exactly rounded, system-specific press contour according to the respective pressfitting system. For perfect system-conformant, reliable pressing.
- The pressing tongs / pressing rings are made from tenacious, specially hardened special steel and they are therefore highly resistant. For maximum quality demands and long life.
- Confirmations of suitability see page 43.
- SHK liability acceptance agreements see page 44.



Patent EP 1 223 008  
Patent US 6,739,172

**ROLLER'S pressing tongs ACz / Fz / RFz / RFlz**  
with teeth prevent burr formation on the pressing segments.



Patent EP 2 027 971

**ROLLER'S pressing tongs (4G)**



**ROLLER'S pressing tongs (S)**



**ROLLER'S pressing ring (PR-3S)**  
**ROLLER'S pressing ring XL (PR-3S)**



**ROLLER'S pressing ring (PR-3B)**



**ROLLER'S pressing ring 45° (PR-2B)**, with 2 pressing jaws, for applying the pressing jaws safely in places of difficult access by using an inclination of 45°.

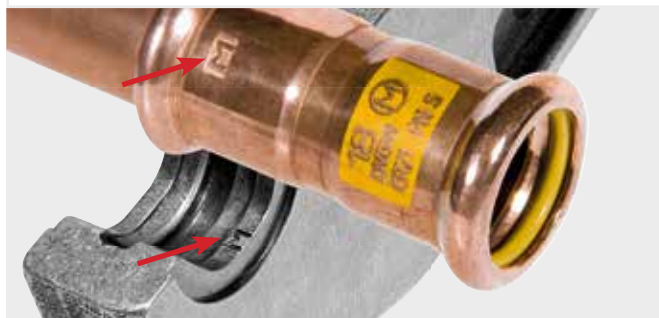


Patent EP 2 774 725

**Traceability according to EN 1775:2007.**

- ROLLER'S pressing tongs / pressing rings with press contour F, M, V, SA, B, RN and UP have worked a specific marking in the press contour which leaves a lasting impression on the pressed fitting after the pressing process. This enables the user to check again whether the most suitable pressing tongs or the suitable pressing ring have been used to make the pressfit connection even after the pressing process.
- With this traceability ROLLER fulfils the recommendation of the European standard EN 1775:2007 for the installation of pressfitting systems for gas.

Example: ROLLER'S pressing tongs M: Impression "M" on pressed fitting for traceability according to EN 1775:2007



# ROLLER'S pressing tongs / pressing rings

Accessory for ROLLER'S radial presses (except for ROLLER'S Multi-Press Mini ACC, Multi-Press Mini 22 V ACC, Multi-Press Mini S 22 V ACC) and other makes

System	Pressing contour	Art.-No.
<b>A</b>		
AC-FIX PRESS (Global Piping Systems)	H 12* H 16* H 20* H 25* H 32 RFz 12* RFz 16* RFz 20* RFz 25 RFz 32 U 16* U 20* U 25* U 32 VX 16* VX 20*	570300 570320 570350 570360 570380 571320 571325 571330 571335 571340 570765 570775 570780 570785 571635 571640
AC-FIX PRESS-MULTI (Global Piping Systems)	H 16* H 18* H 20* H 25* H 32 RFz 16* RFz 20* RFz 25 RFz 32 U 16* U 18* U 20* U 25* U 32	570320 570340 570350 570360 570380 571325 571330 571335 571340 570765 570770 570775 570780 570785
ACOME ACOPEX ALU	H 16* H 20* H 26* H 32 TH 16* TH 20* TH 26* TH 32 U 16* U 20* U 32	570320 570350 570370 570380 570460 570470 570475 570480 570765 570775 570785
ACOME MT	ACz 12* ACz 16* ACz 20* ACz 25	572642 572644 572646 572648
AHLSSELL A-press elförzinkad	M 12 M 15 M 18 M 22 M 28 M 35 M 42 (PR-3S) <sup>3)</sup> M 54 (PR-3S) <sup>3)</sup> M 12 45° (PR-2B) <sup>3)</sup> M 15 45° (PR-2B) <sup>3)</sup> M 18 45° (PR-2B) <sup>3)</sup> M 22 45° (PR-2B) <sup>3)</sup> M 28 45° (PR-2B) <sup>3)</sup> M 35 45° (PR-2B) <sup>3)</sup>	570100 570110 570120 570130 570140 570150 572706 R 572708 R 574520 R 574522 R 574524 R 574526 R 574528 R 574530 R
AHLSSELL A-press koppar	V 12 V 15 V 18 V 22 V 28 V 35 V 42 V 54 V 12 45° (PR-2B) <sup>3)</sup> V 15 45° (PR-2B) <sup>3)</sup> V 18 45° (PR-2B) <sup>3)</sup> V 22 45° (PR-2B) <sup>3)</sup> V 28 45° (PR-2B) <sup>3)</sup> V 35 45° (PR-2B) <sup>3)</sup>	570107 570115 570125 570135 570145 570155 570165 570175 574502 R 574504 R 574506 R 574508 R 574510 R 574512 R
AHLSSELL A-press rostfritt	M 15 M 18 M 22 M 28 M 35 M 42 (PR-3S) <sup>3)</sup> M 54 (PR-3S) <sup>3)</sup> M 15 45° (PR-2B) <sup>3)</sup> M 18 45° (PR-2B) <sup>3)</sup> M 22 45° (PR-2B) <sup>3)</sup> M 28 45° (PR-2B) <sup>3)</sup> M 35 45° (PR-2B) <sup>3)</sup>	570110 570120 570130 570140 570150 572706 R 572708 R 574522 R 574524 R 574526 R 574528 R 574530 R
AHLSSELL Presskylventil a-collection 1372M	M 12 M 15 M 18 M 22 M 28 M 35 M 42 (PR-3S) <sup>3)</sup> M 54 (PR-3S) <sup>3)</sup> M 12 45° (PR-2B) <sup>3)</sup> M 15 45° (PR-2B) <sup>3)</sup> M 18 45° (PR-2B) <sup>3)</sup> M 22 45° (PR-2B) <sup>3)</sup> M 28 45° (PR-2B) <sup>3)</sup> M 35 45° (PR-2B) <sup>3)</sup>	570100 570110 570120 570130 570140 570150 572706 R 572708 R 574520 R 574522 R 574524 R 574526 R 574528 R 574530 R

System	Pressing contour	Art.-No.
AHLSSELL Presskylventil a-collection 1372V	V 12 V 15 V 18 V 22 V 28 V 35 V 42 V 54 V 12 45° (PR-2B) <sup>3)</sup> V 15 45° (PR-2B) <sup>3)</sup> V 18 45° (PR-2B) <sup>3)</sup> V 22 45° (PR-2B) <sup>3)</sup> V 28 45° (PR-2B) <sup>3)</sup> V 35 45° (PR-2B) <sup>3)</sup>	570107 570115 570125 570135 570145 570155 570165 570175 574502 R 574504 R 574506 R 574508 R 574510 R 574512 R
AIRBEL PRESSCLIM	M 15 M 18 M 22 M 28 M 35 M 42 (PR-3S) <sup>3)</sup> M 54 (PR-3S) <sup>3)</sup> M 76,1 XL (PR-3S) <sup>3) 7)</sup> M 88,9 XL (PR-3S) <sup>3) 7)</sup> M 108,0 XL (PR-3S) <sup>3) 7)</sup> M 15 45° (PR-2B) <sup>3)</sup> M 18 45° (PR-2B) <sup>3)</sup> M 22 45° (PR-2B) <sup>3)</sup> M 28 45° (PR-2B) <sup>3)</sup> M 35 45° (PR-2B) <sup>3)</sup>	570110 570120 570130 570140 570150 572706 R 572708 R 579101 R 579102 R 579103 R 574522 R 574524 R 574526 R 574528 R 574530 R
AIRBEL SERTINOX	M 15 M 18 M 22 M 28 M 35 M 42 (PR-3S) <sup>3)</sup> M 54 (PR-3S) <sup>3)</sup> M 76,1 XL (PR-3S) <sup>3) 7)</sup> M 88,9 XL (PR-3S) <sup>3) 7)</sup> M 108,0 XL (PR-3S) <sup>3) 7)</sup> M 15 45° (PR-2B) <sup>3)</sup> M 18 45° (PR-2B) <sup>3)</sup> M 22 45° (PR-2B) <sup>3)</sup> M 28 45° (PR-2B) <sup>3)</sup> M 35 45° (PR-2B) <sup>3)</sup>	570110 570120 570130 570140 570150 572706 R 572708 R 579101 R 579102 R 579103 R 574522 R 574524 R 574526 R 574528 R 574530 R
ALB Sistema Multicapa	TH 16* TH 18* TH 20* TH 26* TH 32 TH 40 TH 50 (S) TH 63 (S) H 16* H 18* H 20* H 26* H 32 H 40 (4G) U 16* U 18* U 20* C 26* U 32 U 40	570460 570465 570470 570475 570480 570485 572400 572405 570320 570340 570350 570370 570380 570390 570765 570770 570775 570750 570785 570790
ALB Sistema Multicapa Gas	TH 16* TH 20* TH 26* TH 32 H 16* H 20* H 26* H 32 U 16* U 20* C 26* U 32	570460 570470 570475 570480 570320 570350 570370 570380 570765 570775 570750 570785
APE Serie AP	B 16* B 20* B 26 B 32 H 16* H 20* H 26* H 32 TH 16* TH 18* TH 20* TH 26* TH 32 U 16* U 20* U 40 U 50 U 63 (PR-3B) <sup>3)</sup> U 63 (S)	570850 570860 570870 570880 570320 570350 570370 570380 570460 570465 570470 570475 570480 570765 570775 570790 570795 572837 R 572365
APE Serie AP Gas	TH 16* TH 20* TH 26* TH 32	570460 570470 570475 570480

System	Pressing contour	Art.-No.
AQUATECHNIK Universal	B 16* B 20* B 26 B 32 F 16* F 20* F 26* F 32 F 16 45° (PR-2B) <sup>3)</sup> F 20 45° (PR-2B) <sup>3)</sup> F 26 45° (PR-2B) <sup>3)</sup> F 32 45° (PR-2B) <sup>3)</sup> H 16* H 20* H 26* H 32 TH 16* TH 20* TH 26* TH 32 U 16* U 20* C 26* U 32	570850 570860 570870 570880 570717 570727 570730 570735 574550 R 574552 R 574554 R 574556 R 570320 570350 570370 570380 570460 570470 570475 570480 570765 570775 570750 570785
ARKA DUROsystem	H 16* H 20* H 25* H 26* H 32 TH 16* TH 20* TH 25* TH 26* TH 32 U 16* U 20* U 25* U 32	570320 570350 570360 570370 570380 570460 570470 570495 570475 570480 570765 570775 570780 570785
ASCHL NIR	M 15 M 18 M 22 M 28 M 35 M 42 (PR-3S) <sup>3)</sup> M 54 (PR-3S) <sup>3)</sup> M 76,1 XL (PR-3S) <sup>3) 7)</sup> M 88,9 XL (PR-3S) <sup>3) 7)</sup> M 108,0 XL (PR-3S) <sup>3) 7)</sup> M 15 45° (PR-2B) <sup>3)</sup> M 18 45° (PR-2B) <sup>3)</sup> M 22 45° (PR-2B) <sup>3)</sup> M 28 45° (PR-2B) <sup>3)</sup> M 35 45° (PR-2B) <sup>3)</sup>	570110 570120 570130 570140 570150 572706 R 572708 R 579101 R 579102 R 579103 R 574522 R 574524 R 574526 R 574528 R 574530 R
ASSOTHERM IPC-RAC Carbon Steel	M 15 M 18 M 22 M 28 M 35 M 42 (4G) M 54 (4G) M 42 (PR-3S) <sup>3)</sup> M 54 (PR-3S) <sup>3)</sup> M 15 45° (PR-2B) <sup>3)</sup> M 18 45° (PR-2B) <sup>3)</sup> M 22 45° (PR-2B) <sup>3)</sup> M 28 45° (PR-2B) <sup>3)</sup> M 35 45° (PR-2B) <sup>3)</sup>	570110 570120 570130 570140 570150 570160 570170 572706 R 572708 R 574522 R 574524 R 574526 R 574528 R 574530 R
ASSOTHERM IPR-RAX Inox	M 15 M 18 M 22 M 28 M 35 M 42 (4G) M 54 (4G) M 42 (PR-3S) <sup>3)</sup> M 54 (PR-3S) <sup>3)</sup> M 15 45° (PR-2B) <sup>3)</sup> M 18 45° (PR-2B) <sup>3)</sup> M 22 45° (PR-2B) <sup>3)</sup> M 28 45° (PR-2B) <sup>3)</sup> M 35 45° (PR-2B) <sup>3)</sup>	570110 570120 570130 570140 570150 570160 570170 572706 R 572708 R 574522 R 574524 R 574526 R 574528 R 574530 R
ASSOTHERM IPM-Multistrato	H 16* H 20* H 26* H 32 TH 16* TH 20* TH 26* TH 32 THL 32 TH 40 TH 50 (S) TH 63 (S) U 16* U 20* C 26* U 32	570320 570350 570370 570380 570460 570470 570475 570480 570487 570485 572400 572405 570765 570775 570750 570785
ASSOTHERM IPR-RRR Copper	M 15 M 18 M 22 M 28 M 35 M 42 (4G) M 54 (4G) M 42 (PR-3S) <sup>3)</sup> M 54 (PR-3S) <sup>3)</sup> M 15 45° (PR-2B) <sup>3)</sup> M 18 45° (PR-2B) <sup>3)</sup> M 22 45° (PR-2B) <sup>3)</sup> M 28 45° (PR-2B) <sup>3)</sup> M 35 45° (PR-2B) <sup>3)</sup>	570110 570120 570130 570140 570150 570160 570170 572706 R 572708 R 574522 R 574524 R 574526 R 574528 R 574530 R



System	Pressing contour	Art.-No.
ASSOTHERM IPR-RRA Copper Gas	M 15	570110
	M 18	570120
	M 22	570130
	M 28	570140
	M 35	570150
	M 15 45° (PR-2B) <sup>3)</sup>	574522 R
	M 18 45° (PR-2B) <sup>3)</sup>	574524 R
	M 22 45° (PR-2B) <sup>3)</sup>	574526 R
	M 28 45° (PR-2B) <sup>3)</sup>	574528 R
	M 35 45° (PR-2B) <sup>3)</sup>	574530 R
ASTM F 1807 (Fittings with Copper Crimp Ring for PEX tubing)	US ¾"	571450
	US 1"	571455
	US 1¼"	571460
	US 1½"	571465
	US 2"	571470
	US 2½"	571475

### B

Bampi BALPEX (serie MP)	TH 16*	570460
	TH 18*	570465
	TH 20*	570470
	TH 26*	570475
	TH 32	570480
	TH 40	570485
	TH 50 (S)	572400
Bampi BALPEX Gas	TH 16*	570460
	TH 20*	570470
	TH 26*	570475
BARBI EASYPRESS (Industrial Blansol)	H 12*	570300
	H 16*	570320
	H 20*	570350
	H 25*	570360
	H 32	570380
	RFz 12*	571320
	RFz 16*	571325
	RFz 20*	571330
	RFz 25	571335
	RFz 32	571340
	U 16*	570765
	U 20*	570775
	U 25*	570780
U 32	570785	
BARBI MULTIPEX (Industrial Blansol)	H 14*	570310
	H 16*	570320
	H 18*	570340
	H 20*	570350
	H 25*	570360
	H 26*	570370
	H 32	570380
	RFz 16*	571325
	RFz 18*	571327
	RFz 20*	571330
	RFz 25	571335
	RFz 32	571340
	TH 16*	570460
	TH 20*	570470
	TH 26*	570475
	TH 32	570480
	U 16*	570765
U 18*	570770	
U 20*	570775	
U 25*	570780	
U 32	570785	
U 40	570790	
U 50	570795	
U 63 (PR-3B) <sup>3)</sup>	572837 R	
U 63 (S)	572365	
BEGETUBE/ IVAR	B 14*	570845
	B 16*	570850
	B 18*	570855
	B 20*	570860
	B 26	570870
	B 32	570880
	Fz 40	570742
	Fz 50	570747
	F 63 (S)	572385
	Fz 75 (PR-3B) <sup>3)</sup>	572830 R
	TH 16*	570460
TH 20*	570470	
TH 25*	570495	
TH 32	570480	
BRASELI GPF GAS	RFz 16*	571325
	RFz 20*	571330
	RFz 25	571335
	RFz 32	571340
BRASELI Pressfitting PE-X	U 16*	570765
	U 18*	570770
	U 20*	570775
	U 25*	570780
BRASELI Pressfitting Multitapa	U 32	570785
	U 40	570790
	U 50	570795

System	Pressing contour	Art.-No.
Brass Form Master Press	H 16*	570320
	H 18*	570340
	H 20*	570350
	TH 16*	570460
	TH 18*	570465
	TH 20*	570470
	U 16*	570765
	U 18*	570770
	U 20*	570775

Brass & Fittings Pressman Multitapa	RFz 16*	571325
	RFz 18*	571327
	ACz 20*	572646
	RFz 25	571335
Brass & Fittings Retipress	RFz 32	571340
	RFz 16*	571325
	RFz 18*	571327
BRASSTECH MULTitermoSAN Brasspress	ACz 20*	572646
	RFz 25	571335
	RFz 32	571340
	B 16*	570850
	B 20*	570860
	B 26	570870
	B 32	570880
	F 16*	570717
	F 20*	570727
	F 26*	570730
Business Key MT-PRESS (inox)	F 16 45° (PR-2B) <sup>3)</sup>	574550 R
	F 20 45° (PR-2B) <sup>3)</sup>	574552 R
	F 26 45° (PR-2B) <sup>3)</sup>	574554 R
	H 16*	570320
	H 18*	570340
	H 20*	570350
	H 26*	570370
	TH 16*	570460
	TH 18*	570465
	TH 20*	570470
Cello Products >B< Press	TH 26*	570475
	TH 32	570480
	TH 40	570485
	TH 50 (S)	572400
	TH 63 (S)	572405
	U 16*	570765
	U 18*	570770
	U 20*	570775
	U 25*	570780
	U 32	570785
CHIALI CHIALIPEX	M 15	570110
	M 18	570120
	M 22	570130
	M 28	570140
	M 35	570150
	M 42 (4G)	570160
	M 54 (4G)	570170
	M 42 (PR-3S) <sup>3)</sup>	572706 R
	M 54 (PR-3S) <sup>3)</sup>	572708 R
	M 15 45° (PR-2B) <sup>3)</sup>	574522 R
Climatek Clima Therm	M 18 45° (PR-2B) <sup>3)</sup>	574524 R
	M 22 45° (PR-2B) <sup>3)</sup>	574526 R
	M 28 45° (PR-2B) <sup>3)</sup>	574528 R
	M 35 45° (PR-2B) <sup>3)</sup>	574530 R
	TH 16*	570460
	TH 20*	570470
	TH 26*	570475
	TH 32	570480
	TH 40	570485
	TH 50 (S)	572400
Climatrix Climatrix Rhinopex	TH 63 (S)	572405
	TH 14*	570455
	TH 16*	570460
	TH 18*	570465
	TH 20*	570470
	TH 26*	570475
	TH 32	570480
	H 40 A (4G)	570695
	H 16*	570320
	H 20*	570350
ClouSet	U 16*	570765
	U 20*	570775
	TH 14*	570455
	TH 16*	570460
	TH 18*	570465
	TH 20*	570470
	TH 26*	570475
	TH 32	570480
	TH 16*	570460
	TH 18*	570465
TH 20*	570470	

### C

Cello Products >B< Press	VUS ½" (OD 15,9 mm)	571770
	VUS ¾" (OD 22,2 mm)	571775
	VUS 1" (OD 28,6 mm)	571780
	VUS 1½" (OD 34,9 mm)	571785
	VUS 1½" (OD 41,3 mm)	571790
	VUS 2" (OD 54,0 mm)	571795
CHIALI CHIALIPEX	TH 16*	570460
	TH 20*	570470
	TH 26*	570475
	TH 32	570480
	TH 40	570485
	TH 50 (S)	572400
	TH 63 (S)	572405
	TH 14*	570455
	TH 16*	570460
	TH 18*	570465
Climatek Clima Therm	TH 20*	570470
	TH 26*	570475
	TH 32	570480
	TH 40	570485
	TH 50 (S)	572400
	TH 63 (S)	572405
	TH 14*	570455
	TH 16*	570460
	TH 18*	570465
	TH 20*	570470
Climatrix Climatrix Rhinopex	TH 26*	570475
	TH 32	570480
	H 40 A (4G)	570695
	H 16*	570320
	H 20*	570350
	U 16*	570765
	U 20*	570775
	TH 14*	570455
	TH 16*	570460
	TH 18*	570465
ClouSet	TH 20*	570470
	TH 26*	570475
	TH 32	570480
	TH 16*	570460
	TH 18*	570465
	TH 20*	570470

System	Pressing contour	Art.-No.
COMAP SudoPress Carbon	V 12	570107
	V 15	570115
	V 18	570125
	V 22	570135
	V 28	570145
	V 35	570155
	V 42	570165
	V 54	570175

COMAP SudoPress Copper	V 12	570107
	V 14	570112
	V 15	570115
	V 16	570117
	V 18	570125
	V 22	570135
	V 28	570145
	V 35	570155
	V 42	570165
	V 54	570175
COMAP SudoPress Copper Gas	V 12	570107
	V 14	570112
	V 15	570115
	V 16	570117
	V 18	570125
	V 22	570135
	V 28	570145
	V 35	570155
	V 42	570165
	V 54	570175
COMAP SudoPress Copper Solar	V 12	570107
	V 14	570112
	V 15	570115
	V 16	570117
	V 18	570125
	V 22	570135
	V 28	570145
	V 35	570155
	V 42	570165
	V 54	570175
COMAP SudoPress Stainless	V 12	570107
	V 14	570112
	V 15	570115
	V 16	570117
	V 18	570125
	V 22	570135
	V 28	570145
	V 35	570155
	V 42	570165
	V 54	570175
Comap PexPress	RFz 12*	571320
	RFz 16*	571325
	RFz 20*	571330
	RFz 25	571335
	TH 14*	570455
	TH 16*	570460
	TH 18*	570465
	TH 20*	570470
	TH 26*	570475
	THL 32	570487
Comap SkinPress	TH 40	570485
	TH 50 (S)	572400
	TH 63 (S)	572405
	TH 16*	570460
	TH 20*	570470
	TH 26*	570475
	THL 32	570487
	TH 16*	570460
	TH 20*	570470
	TH 26*	570475
COMAP Xpress Carbon	THL 32	570487
	M 12	570100
	M 15	570110
	M 18 <sup>1)</sup>	570120
	M 22	570130
	M 28 <sup>1)</sup>	570140
	M 35	570150
	M 42 (4G)	570160
	M 54 (4G)	570170
	M 42 (PR-3S) <sup>3)</sup>	572706 R
COMAP SudoPress Stainless	M 54 (PR-3S) <sup>3)</sup>	572708 R
	M 76,1 XL (PR-3S) <sup>3) 7)</sup>	579101 R
	M 88,9 XL (PR-3S) <sup>3) 7)</sup>	579102 R
	M 108,0 XL (PR-3S) <sup>3) 7)</sup>	579103 R
	M 12 45° (PR-2B) <sup>3)</sup>	574520 R
	M 15 45° (PR-2B) <sup>3)</sup>	574522 R
	M 18 45° (PR-2B) <sup>3)</sup>	574524 R
	M 22 45° (PR-2B) <sup>3)</sup>	574526 R
	M 28 45° (PR-2B) <sup>3)</sup>	574528 R
	M 35 45° (PR-2B) <sup>3)</sup>	574530 R

COMAP SudoPress Copper Solar	V 12	570107
	V 14	570112
	V 15	570115
	V 16	570117
	V 18	570125
	V 22	570135
	V 28	570145
	V 35	570155
	V 42	570165
	V 54	570175

COMAP SudoPress Copper Solar	V 12	570107
	V 14	570112
	V 15	570115
	V 16	570117
	V 18	570125
	V 22	570135
	V 28	570145
	V 35	570155
	V 42	570165
	V 54	570175

COMAP SudoPress Copper Solar	V 12	570107
	V 14	570112
	V 15	570115
	V 16	570117
	V 18	570125
	V 22	570135
	V 28	570145
	V 35	570155
	V 42	570165
	V 54	570175

COMAP SudoPress Copper Solar	V 12	570107
	V 14	570112
	V 15	570115
	V 16	570117
	V 18	570125
	V 22	570135
	V 28	570145
	V 35	570155
	V 42	570165
	V 54	570175

COMAP SudoPress Copper Solar	V 12	570107
	V 14	570112
	V 15	570115
	V 16	570117
	V 18	570125
	V 22	570135
	V 28	570145
	V 35	570155
	V 42	570165
	V 54	570175

# ROLLER'S pressing tongs / pressing rings

Accessory for ROLLER'S radial presses (except for ROLLER'S Multi-Press Mini ACC, Multi-Press Mini 22 V ACC, Multi-Press Mini S 22 V ACC) and other makes

System	Pressing contour	Art.-No.	
COMAP Xpress Copper	M 12	570100	
	M 15	570110	
	M 18 <sup>9)</sup>	570120	
	M 22	570130	
	M 28 <sup>9)</sup>	570140	
	M 35	570150	
	M 42 (PR-3S) <sup>3)</sup>	572706 R	
	M 54 (PR-3S) <sup>3)</sup>	572708 R	
	M 12 45° (PR-2B) <sup>3)</sup>	574520 R	
	M 15 45° (PR-2B) <sup>3)</sup>	574522 R	
	M 18 45° (PR-2B) <sup>3)</sup>	574524 R	
	M 22 45° (PR-2B) <sup>3)</sup>	574526 R	
	M 28 45° (PR-2B) <sup>3)</sup>	574528 R	
	M 35 45° (PR-2B) <sup>3)</sup>	574530 R	
COMAP Xpress Copper Gas	M 15	570110	
	M 18 <sup>9)</sup>	570120	
	M 22	570130	
	M 28 <sup>9)</sup>	570140	
	M 35	570150	
	M 42 (PR-3S) <sup>3)</sup>	572706 R	
	M 54 (PR-3S) <sup>3)</sup>	572708 R	
	M 76,1 XL (PR-3S) <sup>3) 7)</sup>	579101 R	
	M 88,9 XL (PR-3S) <sup>3) 7)</sup>	579102 R	
	M 108,0 XL (PR-3S) <sup>3) 7)</sup>	579103 R	
	M 15 45° (PR-2B) <sup>3)</sup>	574522 R	
	M 18 45° (PR-2B) <sup>3)</sup>	574524 R	
	M 22 45° (PR-2B) <sup>3)</sup>	574526 R	
	M 28 45° (PR-2B) <sup>3)</sup>	574528 R	
M 35 45° (PR-2B) <sup>3)</sup>	574530 R		
COMISA Press System	TH 14*	570455	
	TH 16*	570460	
	TH 18*	570465	
	TH 20*	570470	
	TH 25*	570495	
	TH 26*	570475	
	TH 32	570480	
	TH 40	570485	
	TH 50 (S)	572400	
	TH 63 (S)	572405	
	H 14*	570310	
	H 16*	570320	
	H 18*	570340	
	H 20*	570350	
	H 26*	570370	
	H 32	570380	
	B 14*	570845	
	B 16*	570850	
	B 18*	570855	
	B 20*	570860	
B 26	570870		
B 32	570880		
COMISA Press System Gas	TH 16*	570460	
	TH 20*	570470	
	TH 26*	570475	
	TH 32	570480	
CONEL CONNECT MULTI	F 16*	570717	
	F 20*	570727	
	F 26*	570730	
	F 32	570735	
	F 16 45° (PR-2B) <sup>3)</sup>	574550 R	
	F 20 45° (PR-2B) <sup>3)</sup>	574552 R	
	F 26 45° (PR-2B) <sup>3)</sup>	574554 R	
	F 32 45° (PR-2B) <sup>3)</sup>	574556 R	
	H 16*	570320	
	H 20*	570350	
	H 26*	570370	
	H 32	570380	
	TH 16*	570460	
	TH 20*	570470	
	TH 26*	570475	
	TH 32	570480	
	U 16*	570765	
	U 20*	570775	
	(DN 26)	U 25*	570780
		U 32	570785
	VP 16*	570910	
	VP 20*	570915	
	VP 32	570925	

## D

System	Pressing contour	Art.-No.	
DIWAsystems	TH 14*	570455	
	TH 16*	570460	
	TH 20*	570470	
	TH 26*	570475	
	TH 32	570480	
	TH 40	570485	
	TH 50 (S)	572400	
	TH 63 (S)	572405	
	DUOFIL MKSYSYSTEM	U 16*	570765
		U 18*	570770
		U 20*	570775
U 25*		570780	
U 32		570785	

System	Pressing contour	Art.-No.
DW Verbundrohr multitubo systems	U 16*	570765
	U 18*	570770
	U 20*	570775
	U 25*	570780
	U 32	570785
	U 40	570790
	U 50	570795
	U 63 (PR-3B) <sup>3)</sup>	572837 R
	U 63 (S)	572365
	U 75 (PR-3B) <sup>3)</sup>	572828 R
	<b>E</b>	
EBRILLE Isomonflex	U 16*	570765
	U 18*	570770
	U 20*	570775
	U 25*	570780
	H 26*	570370
	TH 26*	570475
	U 32	570785
EBRILLE Monflex	U 14*	570760
	U 16*	570765
	U 18*	570770
	U 20*	570775
	U 25*	570780
	H 26*	570370
	TH 26*	570475
	U 32	570785
	U 40	570790
	U 50	570795
	U 63 (PR-3B) <sup>3)</sup>	572837 R
U 63 (S)	572365	
U 75 (PR-3B) <sup>3)</sup>	572828 R	
EFFEBI PRESSTIGE	M 15	570110
	M 18	570120
	M 22	570130
	M 28	570140
	M 35	570150
	M 15 45° (PR-2B) <sup>3)</sup>	574522 R
	M 18 45° (PR-2B) <sup>3)</sup>	574524 R
	M 22 45° (PR-2B) <sup>3)</sup>	574526 R
	M 28 45° (PR-2B) <sup>3)</sup>	574528 R
	M 35 45° (PR-2B) <sup>3)</sup>	574530 R
	V 15	570115
V 18	570125	
V 22	570135	
V 28	570145	
V 35	570155	
V 42	570165	
V 54	570175	
V 15 45° (PR-2B) <sup>3)</sup>	574504 R	
V 18 45° (PR-2B) <sup>3)</sup>	574506 R	
V 22 45° (PR-2B) <sup>3)</sup>	574508 R	
V 28 45° (PR-2B) <sup>3)</sup>	574510 R	
V 35 45° (PR-2B) <sup>3)</sup>	574512 R	
EFFEBI TOF-GAS MULTIPINZA	TH 16*	570460
	TH 20*	570470
	TH 26*	570475
	TH 32	570480
	H 16*	570320
	H 18*	570340
	H 20*	570350
	H 26*	570370
	H 32	570380
	H 40 (4G)	570390
	U 16*	570765
U 20*	570775	
U 32	570785	
EFFEBI TOF MULTIPINZA	TH 16*	570460
	TH 18*	570465
	TH 20*	570470
	TH 26*	570475
	TH 32	570480
	TH 40	570485
	TH 50 (S)	572400
	TH 63 (S)	572405
	F 16*	570715
	F 18*	570720
	F 20*	570725
	F 26*	570730
	F 32	570735
	Fz 40	570742
	Fz 50	570747
	F 63 (S)	572385
	F 16 45° (PR-2B) <sup>3)</sup>	574550 R
	F 20 45° (PR-2B) <sup>3)</sup>	574552 R
	F 26 45° (PR-2B) <sup>3)</sup>	574554 R
	F 32 45° (PR-2B) <sup>3)</sup>	574556 R
H 16*	570320	
H 18*	570340	
H 20*	570350	
H 26*	570370	
H 32	570380	
H 40 (4G)	570390	
U 16*	570765	
U 18*	570770	
U 20*	570775	
U 25*	570780	
C 26*	570750	
U 32	570785	
U 40	570790	
U 50	570795	
U 63 (PR-3B) <sup>3)</sup>	572837 R	
U 63 (S)	572365	
B 16*	570850	
B 18*	570855	
B 20*	570860	
B 26	570870	
B 32	570880	

System	Pressing contour	Art.-No.	
Elkhart APOLLOXPRESS Fittings Copper and Low-Lead Brass	VUS ½" (OD 15,9 mm)	571770	
	VUS ¾" (OD 22,2 mm)	571775	
	VUS 1" (OD 28,6 mm)	571780	
	VUS 1¼" (OD 34,9 mm)	571785	
	VUS 1½" (OD 41,3 mm)	571790	
	VUS 2" (OD 54,0 mm)	571795	
	VUSFz 2½" (PR-3B) <sup>3)</sup>	572819 R	
	(OD 66,7 mm)		
	VUSFz 3" (PR-3B) <sup>3)</sup>	572820 R	
	(OD 79,4 mm)		
	VUSFz 4" (PR-3B) <sup>3)</sup>	572821 R	
(OD 104,8 mm)			
EMMETI GERPEX- FIVPRESS	B 16*	570850	
	B 20*	570860	
	B 26	570870	
	B 32	570880	
	F 16*	570715	
	F 20*	570725	
	H 16*	570320	
	H 20*	570350	
	TH 16*	570460	
	TH 20*	570470	
	TH 26*	570475	
TH 32	570480		
TH 40	570485		
TH 50 (S)	572400		
TH 63 (S)	572405		
U 16*	570765		
U 20*	570775		
EMPUR	TH 14*	570455	
	TH 15*	570457	
	TH 16*	570460	
	TH 17*	570462	
	TH 20*	570470	
	TH 25*	570495	
	EURACCORDI SYCPRESS STAINLESS STEEL PRESS FITTINGS	M 15	570110
		M 18	570120
		M 22	570130
		M 28	570140
		M 35	570150
M 42 (PR-3S) <sup>3)</sup>		572706 R	
M 54 (PR-3S) <sup>3)</sup>		572708 R	
M 76,1 XL (PR-3S) <sup>3) 7)</sup>		579101 R	
M 88,9 XL (PR-3S) <sup>3) 7)</sup>		579102 R	
M 108,0 XL (PR-3S) <sup>3) 7)</sup>		579103 R	
M 15 45° (PR-2B) <sup>3)</sup>		574522 R	
M 18 45° (PR-2B) <sup>3)</sup>	574524 R		
M 22 45° (PR-2B) <sup>3)</sup>	574526 R		
M 28 45° (PR-2B) <sup>3)</sup>	574528 R		
M 35 45° (PR-2B) <sup>3)</sup>	574530 R		
EURACCORDI SYCPRESS CARBON STEEL PRESS FITTINGS	M 15	570110	
	M 18	570120	
	M 22	570130	
	M 28	570140	
	M 35	570150	
	M 42 (PR-3S) <sup>3)</sup>	572706 R	
	M 54 (PR-3S) <sup>3)</sup>	572708 R	
	M 76,1 XL (PR-3S) <sup>3) 7)</sup>	579101 R	
	M 88,9 XL (PR-3S) <sup>3) 7)</sup>	579102 R	
	M 108,0 XL (PR-3S) <sup>3) 7)</sup>	579103 R	
	M 15 45° (PR-2B) <sup>3)</sup>	574522 R	
M 18 45° (PR-2B) <sup>3)</sup>	574524 R		
M 22 45° (PR-2B) <sup>3)</sup>	574526 R		
M 28 45° (PR-2B) <sup>3)</sup>	574528 R		
M 35 45° (PR-2B) <sup>3)</sup>	574530 R		
EUROTUBI Europa C-STAH L PRESSFITTING SYSTEM <sup>1)</sup>	M 12	570100	
	M 15	570110	
	M 18	570120	
	M 22	570130	
	M 28	570140	
	M 35	570150	
	M 42 (PR-3S) <sup>3)</sup>	572706 R	
	M 54 (PR-3S) <sup>3)</sup>	572708 R	
	M 76,1 XL (PR-3S) <sup>3) 7)</sup>	579101 R	
	M 88,9 XL (PR-3S) <sup>3) 7)</sup>	579102 R	
	M 108,0 XL (PR-3S) <sup>3) 7)</sup>	579103 R	
M 12 45° (PR-2B) <sup>3)</sup>	574520 R		
M 15 45° (PR-2B) <sup>3)</sup>	574522 R		
M 18 45° (PR-2B) <sup>3)</sup>	574524 R		
M 22 45° (PR-2B) <sup>3)</sup>	574526 R		
M 28 45° (PR-2B) <sup>3)</sup>	574528 R		
M 35 45° (PR-2B) <sup>3)</sup>	574530 R		
EUROTUBI Europa INOX PRESSFITTING SYSTEM <sup>1)</sup>	M 15	570110	
	M 18	570120	
	M 22	570130	
	M 28	570140	
	M 35	570150	
	M 42 (PR-3S) <sup>3)</sup>	572706 R	
	M 54 (PR-3S) <sup>3)</sup>	572708 R	
	M 76,1 XL (PR-3S) <sup>3) 7)</sup>	579101 R	
	M 88,9 XL (PR-3S) <sup>3) 7)</sup>	579102 R	
	M 108,0 XL (PR-3S) <sup>3) 7)</sup>	579103 R	
	M 12 45° (PR-2B) <sup>3)</sup>	574520 R	
M 15 45° (PR-2B) <sup>3)</sup>	574522 R		
M 18 45° (PR-2B) <sup>3)</sup>	574524 R		
M 22 45° (PR-2B) <sup>3)</sup>	574526 R		
M 28 45° (PR-2B) <sup>3)</sup>	574528 R		
M 35 45° (PR-2B) <sup>3)</sup>	574530 R		
Evans Components Presslock	VAU 15 (½")	572687	
	VAU 20 (¾")	572689	
	VAU 25 (1")	572691	
	ECI 1½"	571932	
	ECI 2" (4G)	571934	
	ECI 2½" XL (PR-3S) <sup>3) 7)</sup>	579104 R	
	ECI 3" XL (PR-3S) <sup>3) 7)</sup>	579105 R	
	ECI 4" XL (PR-3S) <sup>3) 7)</sup>	579106 R	

System	Pressing contour	Art.-No.	System	Pressing contour	Art.-No.	System	Pressing contour	Art.-No.
<b>F</b>			FILINOX Filpress	FTB 15 FTB 18 FTB 22 FTB 28 FTB 35 M 42 (PR-3S) <sup>3)</sup> M 54 (PR-3S) <sup>3)</sup>	571432 571434 571436 571438 571440 572706 R 572708 R	FRABO FRABOPRESS C-STEEL GAS	V 15 V 18 V 22 V 28 V 35 V 15 45° (PR-2B) <sup>3)</sup> V 18 45° (PR-2B) <sup>3)</sup> V 22 45° (PR-2B) <sup>3)</sup> V 28 45° (PR-2B) <sup>3)</sup> V 35 45° (PR-2B) <sup>3)</sup>	570115 570125 570135 570145 570155 574504 R 574506 R 574508 R 574510 R 574512 R
FAR Rubinetterie PRESSFAR	TH 14* TH 16* TH 17* TH 18* TH 20* TH 25* TH 26* TH 32 TH 40 TH 50 (S) TH 63 (S) H 14* H 16* H 18* H 20* H 26* H 32 H 40 (4G) U 14* U 16* U 18* U 20* U 25* U 32 U 40 U 50 U 63 (PR-3B) <sup>3)</sup> U 63 (S)	570455 570460 570462 570465 570470 570495 570475 570480 570485 572400 572405 570310 570320 570340 570350 570370 570380 570390 570760 570765 570770 570775 570780 570785 570790 570795 572837 R 572365	FILINOX Instalpress Steel	M 15 M 18 M 22 M 28 M 35 M 42 (PR-3S) <sup>3)</sup> M 54 (PR-3S) <sup>3)</sup> M 15 45° (PR-2B) <sup>3)</sup> M 18 45° (PR-2B) <sup>3)</sup> M 22 45° (PR-2B) <sup>3)</sup> M 28 45° (PR-2B) <sup>3)</sup> M 35 45° (PR-2B) <sup>3)</sup>	570110 570120 570130 570140 570150 570160 570170 574522 R 574524 R 574526 R 574528 R 574530 R	FRABO FRABOPRESS INOX 316	V 12 V 15 V 18 V 22 V 28 V 35 V 42 V 54 M 76,1 XL (PR-3S) <sup>3)7)</sup> M 88,9 XL (PR-3S) <sup>3)7)</sup> M 108,0 XL (PR-3S) <sup>3)7)</sup> V 12 45° (PR-2B) <sup>3)</sup> V 15 45° (PR-2B) <sup>3)</sup> V 18 45° (PR-2B) <sup>3)</sup> V 22 45° (PR-2B) <sup>3)</sup> V 28 45° (PR-2B) <sup>3)</sup> V 35 45° (PR-2B) <sup>3)</sup>	570107 570115 570125 570135 570145 570155 570165 570175 574502 R 574504 R 574506 R 574508 R 574510 R 574512 R
F.B.Q. BARONIO BQ press	V 12 V 14 V 15 V 16 V 18 V 22 V 28 V 35 V 42 V 54 V 12 45° (PR-2B) <sup>3)</sup> V 14 45° (PR-2B) <sup>3)</sup> V 15 45° (PR-2B) <sup>3)</sup> V 16 45° (PR-2B) <sup>3)</sup> V 18 45° (PR-2B) <sup>3)</sup> V 22 45° (PR-2B) <sup>3)</sup> V 28 45° (PR-2B) <sup>3)</sup> V 35 45° (PR-2B) <sup>3)</sup>	570107 570112 570115 570117 570125 570135 570145 570155 570165 570175 574502 R 574532 R 574504 R 574534 R 574506 R 574508 R 574510 R 574512 R	Fittings Estándar ECO-PRESS	Rfz 16* Rfz 20* Rfz 25 Rfz 32	571325 571330 571335 571340	FRABO FRABOPRESS INOX 316 GAS	V 12 45° (PR-2B) <sup>3)</sup> V 15 45° (PR-2B) <sup>3)</sup> V 18 45° (PR-2B) <sup>3)</sup> V 22 45° (PR-2B) <sup>3)</sup> V 28 45° (PR-2B) <sup>3)</sup> V 35 45° (PR-2B) <sup>3)</sup>	570115 570125 570135 570145 570155 570165 570175 574502 R 574504 R 574506 R 574508 R 574510 R 574512 R
F.B.Q. BARONIO BQ press carbon steel	V 15 V 18 V 22 V 28 V 35 V 42 V 54 V 15 45° (PR-2B) <sup>3)</sup> V 18 45° (PR-2B) <sup>3)</sup> V 22 45° (PR-2B) <sup>3)</sup> V 28 45° (PR-2B) <sup>3)</sup> V 35 45° (PR-2B) <sup>3)</sup>	570115 570125 570135 570145 570155 570165 570175 574504 R 574506 R 574508 R 574510 R 574512 R	Fittings Estándar MULTICAPA	Rfz 16* Rfz 18* Rfz 20* Rfz 25 Rfz 32	571325 571327 571330 571335 571340	FRABO FRABOPRESS MULTI-BRASS (MB)	H 16* H 20* TH 16* TH 20* TH 26* TH 32 U 16* U 20*	570320 570350 570460 570470 570475 570480 570850 570860 570870 570880 570717 570727 570730 570735 574550 R 574552 R 574554 R 574556 R
F.B.Q. BARONIO BQ press gas	V 15 V 18 V 22 V 28 V 35 V 42 V 54 V 15 45° (PR-2B) <sup>3)</sup> V 18 45° (PR-2B) <sup>3)</sup> V 22 45° (PR-2B) <sup>3)</sup> V 28 45° (PR-2B) <sup>3)</sup> V 35 45° (PR-2B) <sup>3)</sup>	570115 570125 570135 570145 570155 570165 570175 574504 R 574506 R 574508 R 574510 R 574512 R	Fittings Estándar PE-X	Rfz 16* Rfz 20* Rfz 25 Rfz 32	571325 571330 571335 571340	FRABO FRABOPRESS RAME (Cu)	H 16* H 20* U 16* U 20* C 26*	570320 570350 570765 570775 570750
Fercofloor DUO Press FERCO PEX	Rfz 16* Rfz 20* Rfz 25 Rfz 32 TH 16* TH 20* TH 25* TH 32	571325 571330 571335 571340 570460 570470 570495 570480	FOHS HEIZTECHNIK FOHSPRESS	TH 16* TH 20* TH 26* TH 32	570460 570470 570475 570480	FRABO FRABOPRESS RAME (Cu)	V 12 V 15 V 18 V 22 V 28 V 35 V 42 V 54 M 76,1 XL (PR-3S) <sup>3)7)</sup> M 88,9 XL (PR-3S) <sup>3)7)</sup> M 108,0 XL (PR-3S) <sup>3)7)</sup> V 12 45° (PR-2B) <sup>3)</sup> V 15 45° (PR-2B) <sup>3)</sup> V 18 45° (PR-2B) <sup>3)</sup> V 22 45° (PR-2B) <sup>3)</sup> V 28 45° (PR-2B) <sup>3)</sup> V 35 45° (PR-2B) <sup>3)</sup>	570107 570115 570125 570135 570145 570155 570165 570175 579101 R 579102 R 579103 R 574502 R 574504 R 574506 R 574508 R 574510 R 574512 R
Fercofloor DUO Press MULTIFER	Rfz 16* Rfz 20* Rfz 25 Rfz 32 TH 16* TH 20* TH 25* TH 32 U 16* U 18* U 20* U 25* U 32	571325 571330 571335 571340 570460 570470 570495 570480 570765 570770 570775 570780 570785	FORNARA ForPress	B 16* B 20* B 26 B 32 F 16* F 20* F 26* F 32 F 16 45° (PR-2B) <sup>3)</sup> F 20 45° (PR-2B) <sup>3)</sup> F 26 45° (PR-2B) <sup>3)</sup> F 32 45° (PR-2B) <sup>3)</sup> H 16* H 20* H 26* H 32 TH 16* TH 20* TH 26* TH 32 U 16* U 20* U 32	570850 570860 570870 570880 570717 570727 570730 570735 574550 R 574552 R 574554 R 574556 R 570320 570350 570370 570380 570460 570470 570475 570480 570765 570775 570785	FRABO FRABOPRESS RAME (Cu)	V 12 V 15 V 18 V 22 V 28 V 35 V 42 V 54 M 76,1 XL (PR-3S) <sup>3)7)</sup> M 88,9 XL (PR-3S) <sup>3)7)</sup> M 108,0 XL (PR-3S) <sup>3)7)</sup> V 12 45° (PR-2B) <sup>3)</sup> V 15 45° (PR-2B) <sup>3)</sup> V 18 45° (PR-2B) <sup>3)</sup> V 22 45° (PR-2B) <sup>3)</sup> V 28 45° (PR-2B) <sup>3)</sup> V 35 45° (PR-2B) <sup>3)</sup>	570107 570115 570125 570135 570145 570155 570165 570175 579101 R 579102 R 579103 R 574502 R 574504 R 574506 R 574508 R 574510 R 574512 R

Pressfitting systems for gas installations may only be pressed with the pressing tongs/pressing rings which are highlighted in yellow in the table. Observe the national regulations.

\* These pressing tongs also fit in the ROLLER'S Easy-Press manual radial press. Observe the national regulations.

<sup>1)</sup> Only pressing tongs from designation "108" (1<sup>st</sup> quarter of 2008), "208" (2<sup>nd</sup> quarter of 2008) etc. can be used. The designation is stamped on every pressing jaw.

<sup>2)</sup> Making the press joint with manual radial presses is not permitted for this pressfitting system.

<sup>3)</sup> Adaptor tongs, see page 87, are necessary for driving the pressing rings (PR).

<sup>4)</sup> Press fittings made of red bronze (ProPress XL) must be pressed with pressing rings with pressing contour VUSR, fittings made of copper (ProPress XL-C) and stainless steel (ProPress XL-S) must be pressed with pressing rings with pressing contour VUSF.

<sup>5)</sup> For accommodating suitable pressing inserts.

<sup>6)</sup> Press fittings made of red bronze (Sanpress XL) must be pressed with pressing rings with pressing contour VR, press fittings made of copper (Profipress XL and Profipress G XL), carbon steel (Prestabo XL) and stainless steel (Sanpress Inox XL, Sanpress Inox G XL) must be pressed with pressing contour VF.

<sup>7)</sup> Driven by ROLLER'S Uni-Press XL ACC.

Suitability of the ROLLER'S pressing tools for pressfitting systems: Status 16.5.2018. The current status can be found on the Internet: [www.albert-roller.de](http://www.albert-roller.de) → Downloads → Product Catalogues, Brochures → ROLLER Catalogue. Pressing tongs/pressing rings for other press fitting systems on request.

# ROLLER'S pressing tongs / pressing rings

Accessory for ROLLER'S radial presses (except for ROLLER'S Multi-Press Mini ACC, Multi-Press Mini 22 V ACC, Multi-Press Mini S 22 V ACC) and other makes

System	Pressing contour	Art.-No.	
FRABO SOLARPRESS	V 15	570115	
	V 18	570125	
	V 22	570135	
	V 28	570145	
	V 35	570155	
	V 15 45° (PR-2B) <sup>3)</sup>	574504 R	
	V 18 45° (PR-2B) <sup>3)</sup>	574506 R	
	V 22 45° (PR-2B) <sup>3)</sup>	574508 R	
	V 28 45° (PR-2B) <sup>3)</sup>	574510 R	
	V 35 45° (PR-2B) <sup>3)</sup>	574512 R	
FRABO FRABO TS PRESS	M 22	570130	
	M 22 45° (PR-2B) <sup>3)</sup>	574526 R	
	V 22	570135	
	V 22 45° (PR-2B) <sup>3)</sup>	574508 R	
Fränkische alpex-duo	B 16*	570850	
	B 18*	570855	
	B 20*	570860	
	B 26	570870	
	B 32	570880	
	F 16*	570717	
	F 18*	570720	
	F 20*	570727	
	F 26*	570730	
	F 32	570735	
	F 16 45° (PR-2B) <sup>3)</sup>	574550 R	
	F 20 45° (PR-2B) <sup>3)</sup>	574552 R	
	F 26 45° (PR-2B) <sup>3)</sup>	574554 R	
	F 32 45° (PR-2B) <sup>3)</sup>	574556 R	
	TH 16*	570460	
	TH 18*	570465	
	TH 20*	570470	
	TH 26*	570475	
	TH 32	570480	
	Fränkische alpex F50 PROFI	F 16*	570717
		F 20*	570727
		F 26*	570730
		F 32	570735
		F 16 45° (PR-2B) <sup>3)</sup>	574550 R
		F 20 45° (PR-2B) <sup>3)</sup>	574552 R
F 26 45° (PR-2B) <sup>3)</sup>		574554 R	
F 32 45° (PR-2B) <sup>3)</sup>		574556 R	
H 16*		570320	
H 20*		570350	
H 26*		570370	
H 32		570380	
TH 16*		570460	
TH 20*		570470	
TH 26*		570475	
TH 32	570480		
U 16*	570765		
U 20*	570775		
U 25*	570780		
U 32	570785		
VP 16*	570910		
VP 20*	570915		
VP 32	570925		
Fränkische alpex-gas <sup>2)</sup>	F 20 <sup>2)</sup>	570727	
	F 26 <sup>2)</sup>	570730	
	F 32 <sup>2)</sup>	570735	
	F 20 45° (PR-2B) <sup>3)</sup>	574552 R	
	F 26 45° (PR-2B) <sup>3)</sup>	574554 R	
F 32 45° (PR-2B) <sup>3)</sup>	574556 R		
Fränkische alpex L	Fz 40	570742	
	Fz 50	570747	
	F 63 (S)	572385	
Fz 75 (PR-3B) <sup>3)</sup>	572830 R		
<b>G</b>			
gabotherm H+S	TH 10*	570467	
	TH 12*	570452	
	TH 14*	570455	
	TH 15*	570457	
	TH 16*	570460	
	TH 17*	570462	
	TH 18*	570465	
	TH 20*	570470	
	TH 25*	570495	
	TH 26*	570475	
	TH 32	570480	
	TH 40	570485	
	TH 50 (S)	572400	
	TH 63 (S)	572405	
	Gallagher USA YogaPipe ACR	H 12" (1/4")	570300
U 14" (1/4")		570760	
U 16" (1/2")		570765	
U 18" (3/4")		570770	
U 20" (1")		570775	
U 25" (1 1/4")		570780	
U 32 (1 1/2")		570785	
Geberit Mapress C-STAHl	M 12	570100	
	M 15	570110	
	M 18	570120	
	M 22	570130	
	M 28	570140	
	M 35	570150	
	M 42 (4G)	570160	
	M 54 (4G)	570170	
	M 42 (PR-3S) <sup>3)</sup>	572706 R	
	M 54 (PR-3S) <sup>3)</sup>	572708 R	
	M 76,1 XL (PR-3S) <sup>3) 7)</sup>	579101 R	
	M 88,9 XL (PR-3S) <sup>3) 7)</sup>	579102 R	
	M 108,0 XL (PR-3S) <sup>3) 7)</sup>	579103 R	
	M 12 45° (PR-2B) <sup>3)</sup>	574520 R	
	M 15 45° (PR-2B) <sup>3)</sup>	574522 R	
M 18 45° (PR-2B) <sup>3)</sup>	574524 R		
M 22 45° (PR-2B) <sup>3)</sup>	574526 R		
M 28 45° (PR-2B) <sup>3)</sup>	574528 R		
M 35 45° (PR-2B) <sup>3)</sup>	574530 R		

System	Pressing contour	Art.-No.
Geberit Mapress EDELSTAHL	M 12	570100
	M 15	570110
	M 18	570120
	M 22	570130
	M 28	570140
	M 35	570150
	M 42 (4G)	570160
	M 54 (4G)	570170
	M 42 (PR-3S) <sup>3)</sup>	572706 R
	M 54 (PR-3S) <sup>3)</sup>	572708 R
	M 76,1 XL (PR-3S) <sup>3) 7)</sup>	579101 R
	M 88,9 XL (PR-3S) <sup>3) 7)</sup>	579102 R
	M 108,0 XL (PR-3S) <sup>3) 7)</sup>	579103 R
	M 12 45° (PR-2B) <sup>3)</sup>	574520 R
	M 15 45° (PR-2B) <sup>3)</sup>	574522 R
M 18 45° (PR-2B) <sup>3)</sup>	574524 R	
M 22 45° (PR-2B) <sup>3)</sup>	574526 R	
M 28 45° (PR-2B) <sup>3)</sup>	574528 R	
M 35 45° (PR-2B) <sup>3)</sup>	574530 R	
Geberit Mapress EDELSTAHL Gas	M 15	570110
	M 18	570120
	M 22	570130
	M 28	570140
	M 35	570150
	M 42 (PR-3S) <sup>3)</sup>	572706 R
	M 54 (PR-3S) <sup>3)</sup>	572708 R
	M 76,1 XL (PR-3S) <sup>3) 7)</sup>	579101 R
	M 88,9 XL (PR-3S) <sup>3) 7)</sup>	579102 R
	M 108,0 XL (PR-3S) <sup>3) 7)</sup>	579103 R
	M 12 45° (PR-2B) <sup>3)</sup>	574520 R
	M 15 45° (PR-2B) <sup>3)</sup>	574522 R
	M 18 45° (PR-2B) <sup>3)</sup>	574524 R
	M 22 45° (PR-2B) <sup>3)</sup>	574526 R
	M 28 45° (PR-2B) <sup>3)</sup>	574528 R
M 35 45° (PR-2B) <sup>3)</sup>	574530 R	
Geberit Mapress KUPFER	M 12	570100
	M 15	570110
	M 18	570120
	M 22	570130
	M 28	570140
	M 35	570150
	M 42 (4G)	570160
	M 54 (4G)	570170
	M 42 (PR-3S) <sup>3)</sup>	572706 R
	M 54 (PR-3S) <sup>3)</sup>	572708 R
	M 76,1 XL (PR-3S) <sup>3) 7)</sup>	579101 R
	M 88,9 XL (PR-3S) <sup>3) 7)</sup>	579102 R
	M 108,0 XL (PR-3S) <sup>3) 7)</sup>	579103 R
	M 12 45° (PR-2B) <sup>3)</sup>	574520 R
	M 15 45° (PR-2B) <sup>3)</sup>	574522 R
M 18 45° (PR-2B) <sup>3)</sup>	574524 R	
M 22 45° (PR-2B) <sup>3)</sup>	574526 R	
M 28 45° (PR-2B) <sup>3)</sup>	574528 R	
M 35 45° (PR-2B) <sup>3)</sup>	574530 R	
Geberit Mapress KUPFER Gas	M 15	570110
	M 18	570120
	M 22	570130
	M 28	570140
	M 35	570150
	M 42 (PR-3S) <sup>3)</sup>	572706 R
	M 54 (PR-3S) <sup>3)</sup>	572708 R
	M 76,1 XL (PR-3S) <sup>3) 7)</sup>	579101 R
	M 88,9 XL (PR-3S) <sup>3) 7)</sup>	579102 R
	M 108,0 XL (PR-3S) <sup>3) 7)</sup>	579103 R
	M 12 45° (PR-2B) <sup>3)</sup>	574520 R
	M 15 45° (PR-2B) <sup>3)</sup>	574522 R
	M 18 45° (PR-2B) <sup>3)</sup>	574524 R
	M 22 45° (PR-2B) <sup>3)</sup>	574526 R
	M 28 45° (PR-2B) <sup>3)</sup>	574528 R
M 35 45° (PR-2B) <sup>3)</sup>	574530 R	
Geberit Mepla	G 16*	570400
	G 20*	570410
	G 26*	570420
	G 32	570430
	G 40	570440
	G 50	570450
	G 63 (S)	572470
Geberit Mepla Therm	G 16*	570400
	G 20*	570410
	G 26*	570420
General Fittings 5T00	H 16*	570320
	H 20*	570350
	H 26*	570370
	H 32	570380
	TH 16*	570460
	TH 20*	570470
	TH 26*	570475
	TH 32	570480
	U 16*	570765
	U 20*	570775
U 32	570785	
General Fittings Serie 5S00	B 16*	570850
	B 18*	570855
	B 20*	570860
	B 26	570870
	B 32	570880
	F 16*	570717
	F 20*	570727
	F 26*	570730
	F 16 45° (PR-2B) <sup>3)</sup>	574550 R
	F 20 45° (PR-2B) <sup>3)</sup>	574552 R
	F 26 45° (PR-2B) <sup>3)</sup>	574554 R
	H 16*	570320
	H 18*	570340
	H 20*	570350
	H 25*	570360
H 26*	570370	
H 32	570380	
H 40 (4G)	570390	
TH 16*	570460	
TH 18*	570465	
TH 20*	570470	
TH 25*	570495	
TH 26*	570475	
TH 32	570480	
TH 40	570485	
TH 50 (S)	572400	
TH 63 (S)	572405	
U 16*	570765	
U 18*	570770	
U 20*	570775	
U 25*	570780	
U 32	570785	
U 40	570790	
U 50	570795	
U 63 (S)	572365	
U 63 (PR-3B) <sup>3)</sup>	572837 R	

System	Pressing contour	Art.-No.
General Fittings Trident	B 16*	570850
	B 20*	570860
	B 26	570870
	B 32	570880
	F 16*	570717
	F 20*	570727
	F 26*	570730
	F 16 45° (PR-2B) <sup>3)</sup>	574550 R
	F 20 45° (PR-2B) <sup>3)</sup>	574552 R
	F 26 45° (PR-2B) <sup>3)</sup>	574554 R
	H 16*	570320
	H 20*	570350
	H 26*	570370
	H 32	570380
	TH 16*	570460
TH 20*	570470	
TH 26*	570475	
TH 32	570480	
U 16*	570765	
U 20*	570775	
U 32	570785	
General Fittings Trident Gas	TH 16*	570460
	TH 20*	570470
	TH 26*	570475
	TH 32	570480
	H 16*	570320
	H 20*	570350
	H 26*	570370
	H 32	570380
	U 16*	570765
	U 20*	570775
Giacomini Raccordi RM	H 16*	570320
	H 20*	570350
	H 26*	570370
	H 32	570380
	TH 16*	570460
Giacomini	TH 20*	570470
	TH 26*	570475
	TH 32	570480
	TH 32	570480
	U 16*	570765
	U 20*	570775
	U 32	570785
	U 40	570790
	U 50	570795
	U 63 (S)	572365
Giacomini RM MULTIGAS	H 16*	570320
	H 20*	570350
	H 26*	570370
	H 32	570380
	TH 16*	570460
	TH 20*	570470
	TH 26*	570475
	TH 32	570480
	U 16*	570765
	U 20*	570775
U 32	570785	
Giacomini Valvole Giacomini serie R850V	V 15	570115
	V 18	570125
	V 22	570135
	V 28	570145
	V 35	570155
	V 42	570165
	V 54	570175
	V 15 45° (PR-2B) <sup>3)</sup>	574504 R
	V 18 45° (PR-2B) <sup>3)</sup>	574506 R
	V 22 45° (PR-2B) <sup>3)</sup>	574508 R
	V 28 45° (PR-2B) <sup>3)</sup>	574510 R
	V 35 45° (PR-2B) <sup>3)</sup>	574512 R
	SA 15	570935
	SA 18	570940
	SA 22	570945
SA 28	570950	
SA 35	570955	
M 15	570110	
M 18	570120	
M 22	570130	
M 28	570140	
M 35	570150	
M 15 45° (PR-2B) <sup>3)</sup>	574522 R	
M 18 45° (PR-2B) <sup>3)</sup>	574524 R	
M 22 45° (PR-2B) <sup>3)</sup>	574526 R	
M 28 45° (PR-2B) <sup>3)</sup>	574528 R	
M 35 45° (PR-2B) <sup>3)</sup>	574530 R	
Golan Pipe Systems (Scandinavia) Alu-Press	U 16*	570765
	U 20*	570775
	U 25*	570780
	U 32	570785
	U 40	570790
U 50	570795	
U 63 (S)	572365	
U 63 (PR-3B) <sup>3)</sup>	572837 R	
U 75 (PR-3B) <sup>3)</sup>	572828 R	
Grinnell G-PRESS Copper Fittings	VUS 1/2" (OD 15,9 mm)	571770
	VUS 3/4" (OD 22,2 mm)	571775
	VUS 1" (OD 28,6 mm)	571780
	VUS 1 1/4" (OD 34,9 mm)	571785
	VUS 1 1/2" (OD 41,3 mm)	571790
	VUS 2" (OD 54,0 mm)	571795
	VUSFz 2 1/2" (PR-3B) <sup>3)</sup>	572819 R
	(OD 66,7 mm)	
	VUSFz 3" (PR-3B) <sup>3)</sup>	572820 R
	(OD 79,4 mm)	
VUSFz 4" (PR-3B) <sup>3)</sup>	572821 R	
(OD 104,8 mm)		
GS Wärmesysteme System TH	TH 14*	570455
	TH 16*	570460
	TH 20*	570470
	TH 26*	570475



System	Pressing contour	Art.-No.
GS Wärmesysteme System V	V 15	570115
	V 18	570125
	V 22	570135
	V 28	570145
	V 35	570155
	V 15 45° (PR-2B) <sup>3)</sup>	574504 R
	V 18 45° (PR-2B) <sup>3)</sup>	574506 R
	V 22 45° (PR-2B) <sup>3)</sup>	574508 R
	V 28 45° (PR-2B) <sup>3)</sup>	574510 R
	V 35 45° (PR-2B) <sup>3)</sup>	574512 R
<b>H</b>		
HakaGerodur HakaGerodur- System	TH 10*	570467
	TH 11,6*	570482
	TH 12*	570452
	TH 14*	570455
	TH 16*	570460
	TH 17*	570462
	TH 18*	570465
	TH 20*	570470
	TH 25*	570495
	TH 26*	570475
	TH 32	570480
	TH 40	570485
	TH 50 (S)	572400
TH 63 (S)	572405	
HASTINIK Hastinik/Hitpress	M 15	570110
	M 18	570120
	M 22	570130
	M 28	570140
	M 35	570150
	M 42 (4G)	570160
	M 54 (4G)	570170
	M 42 (PR-3S) <sup>3)</sup>	572706 R
	M 54 (PR-3S) <sup>3)</sup>	572708 R
	M 76,1 XL (PR-3S) <sup>3) 7)</sup>	579101 R
	M 88,9 XL (PR-3S) <sup>3) 7)</sup>	579102 R
	M 108,0 XL (PR-3S) <sup>3) 7)</sup>	579103 R
	M 15 45° (PR-2B) <sup>3)</sup>	574522 R
M 18 45° (PR-2B) <sup>3)</sup>	574524 R	
M 22 45° (PR-2B) <sup>3)</sup>	574526 R	
M 28 45° (PR-2B) <sup>3)</sup>	574528 R	
M 35 45° (PR-2B) <sup>3)</sup>	574530 R	
heima-press	TH 16*	570460
	TH 20*	570470
	TH 26*	570475
	TH 32	570480
	TH 40	570485
	TH 50 (S)	572400
TH 63 (S)	572405	
HELIROMA Klimapress	U 16*	570765
	U 18*	570770
	U 20*	570775
	U 25*	570780
	U 32	570785
	U 40	570790
	U 50	570795
	U 63 (PR-3B) <sup>3)</sup>	572837 R
	U 63 (S)	572365
	U 75 (PR-3B) <sup>3)</sup>	572828 R
HELIROMA romapress	RFz 16*	571325
	RFz 20*	571330
	RFz 25	571335
	RFz 32	571340
Henco	TH 14*	570455
	TH 16*	570460
	TH 18*	570465
	TH 20*	570470
	TH 26*	570475
	HE 32	571900
	HEz 40	571904
	H 32	570380
Herotec TEMPUS-PRESS PLUS	H 16*	570320
	H 20*	570350
	H 25*	570360
	H 32	570380
	RFz 16*	571325
	RFz 20*	571330
	RFz 25	571335
	RFz 32	571340
	TH 16*	570460
	TH 20*	570470
	TH 25*	570495
	TH 32	570480
	U 16*	570765
	U 20*	570775
	U 25*	570780
	U 32	570785
	U 40	570790
	U 50	570795
	U 63 (S)	572365
	U 63 (PR-3B) <sup>3)</sup>	572837 R
U 75 (PR-3B) <sup>3)</sup>	572828 R	
Herz PIPEFIX	TH 10*	570467
	TH 16*	570460
	TH 20*	570470
	TH 26*	570475
	TH 32	570480
	TH 40	570485
	TH 50 (S)	572400
	TH 63 (S)	572405
	THz 75 (PR-3B) <sup>3)</sup>	572829 R

System	Pressing contour	Art.-No.	
HITEC Sistema Multistrato	TH 14*	570455	
	TH 16*	570460	
	TH 18*	570465	
	TH 20*	570470	
	TH 26*	570475	
	TH 32	570480	
	TH 40	570485	
	TH 50 (S)	572400	
	Hopewell press fit system	M 15	570110
		M 18	570120
M 22		570130	
M 28		570140	
M 35		570150	
M 42 (4G)		570160	
hp praski BAVARIA-press	M 54 (4G)	570170	
	M 42 (PR-3S) <sup>3)</sup>	572706 R	
	M 54 (PR-3S) <sup>3)</sup>	572708 R	
	TH 10*	570467	
	TH 14*	570455	
	TH 16*	570460	
ICMA Sempiter	TH 17*	570462	
	TH 20*	570470	
	TH 25*	570495	
	TH 26*	570475	
	TH 32	570480	
	TH 40	570485	
	TH 50 (S)	572400	
	TH 63 (S)	572405	
	U 16*	570765	
	U 18*	570770	
	U 20*	570775	
	U 25*	570780	
	U 32	570785	
IBP >B< Flex	U 32	570785	
	V 12	570107	
	V 14	570112	
	V 15	570115	
	V 16	570117	
	V 18	570125	
	V 22	570135	
	V 28	570145	
	V 35	570155	
	V 42	570165	
	V 54	570175	
	V 12 45° (PR-2B) <sup>3)</sup>	574502 R	
	V 14 45° (PR-2B) <sup>3)</sup>	574532 R	
V 15 45° (PR-2B) <sup>3)</sup>	574504 R		
V 16 45° (PR-2B) <sup>3)</sup>	574534 R		
V 18 45° (PR-2B) <sup>3)</sup>	574506 R		
V 22 45° (PR-2B) <sup>3)</sup>	574508 R		
V 28 45° (PR-2B) <sup>3)</sup>	574510 R		
V 35 45° (PR-2B) <sup>3)</sup>	574512 R		
IBP >B< Press	V 12	570107	
	V 15	570115	
	V 16	570117	
	V 18	570125	
	V 22	570135	
	V 28	570145	
	V 35	570155	
	V 42	570165	
	V 54	570175	
	V 12 45° (PR-2B) <sup>3)</sup>	574502 R	
	V 15 45° (PR-2B) <sup>3)</sup>	574504 R	
	V 18 45° (PR-2B) <sup>3)</sup>	574506 R	
	V 22 45° (PR-2B) <sup>3)</sup>	574508 R	
V 28 45° (PR-2B) <sup>3)</sup>	574510 R		
V 35 45° (PR-2B) <sup>3)</sup>	574512 R		
IBP >B< Press Carbon	V 12	570107	
	V 15	570115	
	V 18	570125	
	V 22	570135	
	V 28	570145	
	V 35	570155	
	V 42	570165	
	V 54	570175	
	V 12 45° (PR-2B) <sup>3)</sup>	574502 R	
	V 15 45° (PR-2B) <sup>3)</sup>	574504 R	
	V 18 45° (PR-2B) <sup>3)</sup>	574506 R	
	V 22 45° (PR-2B) <sup>3)</sup>	574508 R	
	V 28 45° (PR-2B) <sup>3)</sup>	574510 R	
V 35 45° (PR-2B) <sup>3)</sup>	574512 R		
IBP >B< Press Gas	V 15	570115	
	V 18	570125	
	V 22	570135	
	V 28	570145	
	V 35	570155	
	V 42	570165	
	V 54	570175	
	V 15 45° (PR-2B) <sup>3)</sup>	574504 R	
	V 18 45° (PR-2B) <sup>3)</sup>	574506 R	
	V 22 45° (PR-2B) <sup>3)</sup>	574508 R	
	V 28 45° (PR-2B) <sup>3)</sup>	574510 R	
	V 35 45° (PR-2B) <sup>3)</sup>	574512 R	
	IBP >B< Press Inox	V 15	570115
V 18		570125	
V 22		570135	
V 28		570145	
V 35		570155	
V 42		570165	
V 54		570175	
V 15 45° (PR-2B) <sup>3)</sup>		574504 R	
V 18 45° (PR-2B) <sup>3)</sup>		574506 R	
V 22 45° (PR-2B) <sup>3)</sup>		574508 R	
V 28 45° (PR-2B) <sup>3)</sup>		574510 R	
V 35 45° (PR-2B) <sup>3)</sup>		574512 R	

System	Pressing contour	Art.-No.	
IBP >B< Press Solar	V 15	570115	
	V 18	570125	
	V 22	570135	
	V 28	570145	
	V 35	570155	
	V 42	570165	
	V 54	570175	
	V 15 45° (PR-2B) <sup>3)</sup>	574504 R	
	V 18 45° (PR-2B) <sup>3)</sup>	574506 R	
	V 22 45° (PR-2B) <sup>3)</sup>	574508 R	
	V 28 45° (PR-2B) <sup>3)</sup>	574510 R	
	V 35 45° (PR-2B) <sup>3)</sup>	574512 R	
	IBP >B< Press XL	XP 64,0 XL (PR-3S) <sup>3) 7)</sup>	579100 R
XP 66,7 XL (PR-3S) <sup>3) 7)</sup>		579108 R	
M 76,1 XL (PR-3S) <sup>3) 7)</sup>		579101 R	
M 88,9 XL (PR-3S) <sup>3) 7)</sup>		579102 R	
M 108,0 XL (PR-3S) <sup>3) 7)</sup>		579103 R	
ICMA Sempiter		H 16*	570320
		H 20*	570350
	H 26*	570370	
	H 32	570380	
	H 40 (4G)	570390	
	TH 16*	570460	
	TH 20*	570470	
	TH 26*	570475	
	TH 32	570480	
	TH 40	570485	
	TH 50 (S)	572400	
	TH 63 (S)	572405	
	U 16*	570765	
U 20*	570775		
U 32	570785		
U 40	570790		
U 50	570795		
U 63 (PR-3B) <sup>3)</sup>	572837 R		
U 63 (S)	572365		
ICMA Sempigas	TH 16*	570460	
	TH 20*	570470	
	TH 26*	570475	
	TH 32	570480	
Idrosanitaria Bonomi	TH 16*	570460	
	TH 20*	570470	
Homegas Idrosanitaria	TH 26*	570475	
	TH 16*	570460	
Bonomi Idropress	TH 18*	570465	
	TH 20*	570470	
IDROSISTEMI Ta-Press	TH 26*	570475	
	TH 32	570480	
	TH 40	570485	
	TH 50 (S)	572400	
	TH 63 (S)	572405	
	F 16*	570717	
	F 20*	570727	
	F 26*	570730	
	F 32	570735	
	F 16 45° (PR-2B) <sup>3)</sup>	574550 R	
	F 20 45° (PR-2B) <sup>3)</sup>	574552 R	
	F 26 45° (PR-2B) <sup>3)</sup>	574554 R	
	F 32 45° (PR-2B) <sup>3)</sup>	574556 R	
Fz 40	570742		
Fz 50	570747		
F 63 (S)	572385		
H 16*	570320		
H 20*	570350		
H 26*	570370		
H 32	570380		
H 40 (4G)	570390		
U 16*	570765		
U 20*	570775		
C 26*	570750		
U 32	570785		
U 40	570790		
U 50	570795		
U 63 (S)	572365		
B 16*	570850		
B 20*	570860		
B 26	570870		
B 32	570880		

Pressfitting systems for gas installations may only be pressed with the pressing tongs/pressing rings which are highlighted in yellow in the table. Observe the national regulations.

\* These pressing tongs also fit in the ROLLER'S Easy-Press manual radial press. Observe the national regulations.

<sup>1)</sup> Only pressing tongs from designation "108" (1<sup>st</sup> quarter of 2008), "208" (2<sup>nd</sup> quarter of 2008) etc. can be used. The designation is stamped on every pressing jaw.

<sup>2)</sup> Making the press joint with manual radial presses is not permitted for this pressfitting system.

<sup>3)</sup> Adaptor tongs, see page 87, are necessary for driving the pressing rings (PR).

<sup>4)</sup> Press fittings made of red bronze (ProPress XL) must be pressed with pressing rings with pressing contour VUSR, fittings made of copper (ProPress XL-C) and stainless steel (ProPress XL-S) must be pressed with pressing rings with pressing contour VUSF.

<sup>5)</sup> For accommodating suitable pressing inserts.

<sup>6)</sup> Press fittings made of red bronze (Sanpress XL) must be pressed with pressing rings with pressing contour VR, press fittings made of copper (Profipress XL and Profipress G XL), carbon steel (Prestabo XL) and stainless steel (Sanpress Inox XL, Sanpress Inox G XL) must be pressed with pressing contour VF.

<sup>7)</sup> Driven by ROLLER'S Uni-Press XL ACC.

Suitability of the ROLLER'S pressing tools for pressfitting systems: Status 16.5.2018. The current status can be found on the Internet: [www.albert-roller.de](http://www.albert-roller.de) → Downloads → Product Catalogues, Brochures → ROLLER Catalogue. Pressing tongs/pressing rings for other press fitting systems on request.



# ROLLER'S pressing tongs / pressing rings

Accessory for ROLLER'S radial presses (except for ROLLER'S Multi-Press Mini ACC, Multi-Press Mini 22 V ACC, Multi-Press Mini S 22 V ACC) and other makes

System	Pressing contour	Art.-No.	
ILTA INOX/CHIBRO Pressfitting Cuni	M 12	570100	
	M 15	570110	
	M 18	570120	
	M 22	570130	
	M 28	570140	
	M 35	570150	
	M 42 (PR-3S) <sup>3)</sup>	572706 R	
	M 54 (PR-3S) <sup>3)</sup>	572708 R	
	M 76,1 XL (PR-3S) <sup>3) 7)</sup>	579101 R	
	M 88,9 XL (PR-3S) <sup>3) 7)</sup>	579102 R	
	M 108,0 XL (PR-3S) <sup>3) 7)</sup>	579103 R	
	M 12 45° (PR-2B) <sup>3)</sup>	574520 R	
	M 15 45° (PR-2B) <sup>3)</sup>	574522 R	
	M 18 45° (PR-2B) <sup>3)</sup>	574524 R	
	M 22 45° (PR-2B) <sup>3)</sup>	574526 R	
	M 28 45° (PR-2B) <sup>3)</sup>	574528 R	
	M 35 45° (PR-2B) <sup>3)</sup>	574530 R	
	ILTA INOX/CHIBRO Pressfitting inox	M 15	570110
		M 18	570120
		M 22	570130
M 28		570140	
M 35		570150	
M 42 (PR-3S) <sup>3)</sup>		572706 R	
M 54 (PR-3S) <sup>3)</sup>		572708 R	
M 76,1 XL (PR-3S) <sup>3) 7)</sup>		579101 R	
M 88,9 XL (PR-3S) <sup>3) 7)</sup>		579102 R	
M 108,0 XL (PR-3S) <sup>3) 7)</sup>		579103 R	
M 15 45° (PR-2B) <sup>3)</sup>		574522 R	
M 18 45° (PR-2B) <sup>3)</sup>		574524 R	
M 22 45° (PR-2B) <sup>3)</sup>		574526 R	
M 28 45° (PR-2B) <sup>3)</sup>		574528 R	
M 35 45° (PR-2B) <sup>3)</sup>		574530 R	
IPA IPANA Press		TH 10*	570467
	TH 11,6*	570482	
	TH 12*	570452	
	TH 14*	570455	
	TH 15*	570457	
	TH 16*	570460	
	TH 17*	570462	
	TH 18*	570465	
	TH 20*	570470	
	TH 22*	570472	
	TH 25*	570495	
	TH 26*	570475	
	TH 28	570477	
	TH 32	570480	
	TH 40	570485	
	TH 50 (S)	572400	
	TH 63 (S)	572405	
	THz 75 (PR-3B) <sup>3)</sup>	572829 R	
	IPA THu IPANA Press	TH 16*	570460
		TH 20*	570470
		TH 26*	570475
		TH 32	570480
		TH 40	570485
IPALPEX (Industrie du Plastique et Accessoires)	TH 14*	570455	
	TH 16*	570460	
	TH 18*	570465	
	TH 20*	570470	
	TH 26*	570475	
	THL 32	570487	
IPLEX PIPELINES AUSTRALIA Iplex Pro-fit	K16/P18*	572600	
	PF 22*	571980	
	IPLEX PIPELINES AUSTRALIA Iplex K1 (Gas)	K16/P18*	572600
		K20*	572605
		K25*	572610
		K32	572615
K1/40		572620	
K1/50		572625	
IPLEX PIPELINES AUSTRALIA Iplex K2	K16/P18*	572600	
	K20*	572605	
	K25*	572610	
	ISOLUBEX ISOLPEX	Rfz 16*	571325
Rfz 20*		571330	
Rfz 25		571337	
Rfz 32		571342	
ISOLUBEX Multicapa		Rfz 16*	571325
	Rfz 20*	571330	
	Rfz 25	571337	
	Rfz 32	571342	
	U 16*	570765	
	U 20*	570775	
	U 25*	570780	
	U 32	570785	
	U 40	570790	
	U 50	570795	
	U 63 (PR-3B) <sup>3)</sup>	572837 R	
	U 63 (S)	572365	
	ISOLUBEX Multicapa GAS	Rfz 16*	571325
		Rfz 20*	571330
		Rfz 25	571337
Rfz 32		571342	
ISOTUBI NUMEPRESS	M 15	570110	
	M 18 <sup>9)</sup>	570120	
	M 22	570130	
	M 28 <sup>9)</sup>	570140	
	M 35	570150	
	M 42 (PR-3S) <sup>3)</sup>	572706 R	
	M 54 (PR-3S) <sup>3)</sup>	572708 R	
	M 76,1 XL (PR-3S) <sup>3) 7)</sup>	579101 R	
	M 88,9 XL (PR-3S) <sup>3) 7)</sup>	579102 R	
	M 108,0 XL (PR-3S) <sup>3) 7)</sup>	579103 R	
	M 15 45° (PR-2B) <sup>3)</sup>	574522 R	
	M 18 45° (PR-2B) <sup>3)</sup>	574524 R	
	M 22 45° (PR-2B) <sup>3)</sup>	574526 R	
	M 28 45° (PR-2B) <sup>3)</sup>	574528 R	
	M 35 45° (PR-2B) <sup>3)</sup>	574530 R	
IVAR ALPEX-GAS	B 20*	570860	
	B 26	570870	
	B 32	570880	

System	Pressing contour	Art.-No.	
IVAR Ivar-Press	B 14*	570845	
	B 16*	570850	
	B 18*	570855	
	B 20*	570860	
	B 26	570870	
	B 32	570880	
	Fz 40	570742	
	Fz 50	570747	
	F 63 (S)	572385	
	IVAR MULTI PRESS GAS	TH 16*	570460
		TH 20*	570470
		TH 26*	570475
		TH 32	570480
B 16*		570850	
B 20*		570860	
B 26		570870	
B 32		570880	
IVAR MULTI PRESS GAS ITALIA		TH 16*	570460
		TH 20*	570470
	TH 26*	570475	
	TH 32	570480	
	H 16*	570330	
	H 20*	570350	
	H 26*	570370	
	H 32	570380	
	U 16*	570765	
	U 20*	570775	
	U 32	570785	
	IVAR Multi Press MP	TH 16*	570460
		TH 18*	570465
TH 20*		570470	
TH 25*		570495	
TH 26*		570475	
TH 32		570480	
TH 40		570485	
TH 50 (S)		572400	
TH 63 (S)		572405	
F 16*		570717	
F 18*		570720	
F 20*		570727	
F 26*		570730	
F 32		570735	
Fz 40		570742	
Fz 50		570747	
F 63 (S)		572385	
F 16 45° (PR-2B) <sup>3)</sup>		574550 R	
F 20 45° (PR-2B) <sup>3)</sup>		574552 R	
F 26 45° (PR-2B) <sup>3)</sup>		574554 R	
F 32 45° (PR-2B) <sup>3)</sup>		574556 R	
IVAR Multi Press Leak (MPL)		H 16*	570320
		H 18*	570340
	H 20*	570350	
	H 25*	570360	
	H 26*	570370	
	H 32	570380	
	H 40 (4G)	570390	
	U 16*	570765	
	U 18*	570770	
	U 20*	570775	
	U 25*	570780	
	C 26*	570750	
	U 32	570785	
	U 40	570790	
	U 50	570795	
IVAR Multi Press Leak (PMPL)	U 63 (S)	572365	
	B 16*	570850	
	B 18*	570855	
	B 20*	570860	
	B 26	570870	
	B 32	570880	
	TH 16*	570460	
	TH 20*	570470	
	TH 26*	570475	
	TH 32	570480	
	F 16*	570717	
	F 20*	570727	
	F 26*	570730	
	F 32	570735	
	F 16 45° (PR-2B) <sup>3)</sup>	574550 R	
F 20 45° (PR-2B) <sup>3)</sup>	574552 R		
F 26 45° (PR-2B) <sup>3)</sup>	574554 R		
F 32 45° (PR-2B) <sup>3)</sup>	574556 R		

System	Pressing contour	Art.-No.	
IVAR Plastic Multi Press PMP	TH 16*	570460	
	TH 20*	570470	
	TH 25*	570495	
	TH 26*	570475	
	TH 32	570480	
	F 16*	570717	
	F 20*	570727	
	F 26*	570730	
	F 32	570735	
	F 32 45° (PR-2B) <sup>3)</sup>	574550 R	
	F 20 45° (PR-2B) <sup>3)</sup>	574552 R	
	F 26 45° (PR-2B) <sup>3)</sup>	574554 R	
	F 32 45° (PR-2B) <sup>3)</sup>	574556 R	
	H 16*	570320	
	H 20*	570350	
	H 26*	570370	
	H 32	570380	
	U 16*	570765	
	U 20*	570775	
	IVT PRIPRESS	TH 16*	570460
TH 20*		570470	
TH 26*		570475	
TH 32		570480	
<b>J</b>			
Jäger - Aquatec Aquapress H		H 14*	570310
		H 16*	570320
		H 17*	570330
		H 18*	570340
		H 20*	570350
	H 26*	570370	
	H 32	570380	
	U 40	570790	
	U 50	570795	
	U 63 (S)	572365	
Jäger - Aquatec C-Stahl - Press Typ M	M 15	570110	
	M 18	570120	
	M 22	570130	
	M 28	570140	
	M 35	570150	
	M 42 (PR-3S) <sup>3)</sup>	572706 R	
	M 54 (PR-3S) <sup>3)</sup>	572708 R	
	M 76,1 XL (PR-3S) <sup>3) 7)</sup>	579101 R	
	M 88,9 XL (PR-3S) <sup>3) 7)</sup>	579102 R	
	M 108,0 XL (PR-3S) <sup>3) 7)</sup>	579103 R	
Jäger - Aquatec Edelstahl-Press Typ M	M 15 45° (PR-2B) <sup>3)</sup>	574522 R	
	M 18 45° (PR-2B) <sup>3)</sup>	574524 R	
	M 22 45° (PR-2B) <sup>3)</sup>	574526 R	
	M 28 45° (PR-2B) <sup>3)</sup>	574528 R	
	M 35 45° (PR-2B) <sup>3)</sup>	574530 R	
	M 15	570110	
	M 18	570120	
	M 22	570130	
	M 28	570140	
	M 35	570150	
Jäger - Aquatec Kupfer-Press Typ V	M 42 (PR-3S) <sup>3)</sup>	572706 R	
	M 54 (PR-3S) <sup>3)</sup>	572708 R	
	M 76,1 XL (PR-3S) <sup>3) 7)</sup>	579101 R	
	M 88,9 XL (PR-3S) <sup>3) 7)</sup>	579102 R	
	M 108,0 XL (PR-3S) <sup>3) 7)</sup>	579103 R	
	M 15 45° (PR-2B) <sup>3)</sup>	574522 R	
	M 18 45° (PR-2B) <sup>3)</sup>	574524 R	
	M 22 45° (PR-2B) <sup>3)</sup>	574526 R	
	M 28 45° (PR-2B) <sup>3)</sup>	574528 R	
	M 35 45° (PR-2B) <sup>3)</sup>	574530 R	
	V 15	570115	
	V 18	570125	
	V 22	570135	
	V 28	570145	
	V 35	570155	
V 42	570165		
V 54	570175		
V 15 45° (PR-2B) <sup>3)</sup>	574504 R		
V 18 45° (PR-2B) <sup>3)</sup>	574506 R		
V 22 45° (PR-2B) <sup>3)</sup>	574508 R		
V 28 45° (PR-2B) <sup>3)</sup>	574510 R		
V 35 45° (PR-2B) <sup>3)</sup>	574512 R		
Jansen JANSEN prima	TH 14*	570455	
	TH 16*	570460	
	TH 18*	570465	
	TH 20*	570470	
	TH 25*	570495	
	TH 26*	570475	
	TH 32	570480	
	TH 40	570485	
	TH 50 (S)	572400	
	TH 63 (S)	572405	
Jaraflex- Presssystem	TH 14*	570455	
	TH 16*	570460	
	TH 18*	570465	
	TH 20*	570470	
	TH 25*	570495	
	TH 26*	570475	
	TH 32	570480	
	TH 40	570485	
	TH 50 (S)	572400	
	TH 63 (S)	572405	

System	Pressing contour	Art.-No.	
JUNGWOO JWPpress	VUS ½" (OD 15,9 mm)	571770	
	VUS ¾" (OD 22,2 mm)	571775	
	VUS 1" (OD 28,6 mm)	571780	
	VUS 1¼" (OD 34,9 mm)	571785	
	VUS 1½" (OD 41,3 mm)	571790	
	VUS 2" (OD 54,0 mm)	571795	
	VUSFz 2½" (PR-3B) <sup>3)</sup>	572819 R	
	(OD 66,7 mm)		
	VUSFz 3" (PR-3B) <sup>3)</sup>	572820 R	
	(OD 79,4 mm)		
VUSFz 4" (PR-3B) <sup>3)</sup>	572821 R		
(OD 104,8 mm)			
<b>K</b>			
KAN KAN-therm	U 16*	570765	
	U 20*	570775	
	U 25*	570780	
	C 26*	570750	
	U 32	570785	
	U 40	570790	
	TH 50 (S)	572400	
	TH 63 (S)	572405	
	KAN KAN-therm LBP	U 14*	570760
		U 16*	570765
U 20*		570775	
U 25*		570780	
C 26*		570750	
U 32		570785	
U 40		570790	
TH 14*		570455	
TH 16*		570460	
TH 20*		570470	
TH 25*	570495		
TH 26*	570475		
TH 32	570480		
TH 40	570485		
TH 50 (S)	572400		
TH 63 (S)	572405		
KAN KAN-therm Inox	M 15	570110	
	M 18 <sup>1)</sup>	570120	
	M 22	570130	
	M 28 <sup>1)</sup>	570140	
	M 35	570150	
	M 42 (4G)	570160	
	M 54 (4G)	570170	
	M 42 (PR-3S) <sup>3)</sup>	572706 R	
	M 54 (PR-3S) <sup>3)</sup>	572708 R	
	M 76,1 XL (PR-3S) <sup>3) 7)</sup>	579101 R	
M 88,9 XL (PR-3S) <sup>3) 7)</sup>	579102 R		
XP 108,0 XL (PR-3S) <sup>3) 7)</sup>	579109 R		
M 15 45° (PR-2B) <sup>3)</sup>	574522 R		
M 18 45° (PR-2B) <sup>3)</sup>	574524 R		
M 22 45° (PR-2B) <sup>3)</sup>	574526 R		
M 28 45° (PR-2B) <sup>3)</sup>	574528 R		
M 35 45° (PR-2B) <sup>3)</sup>	574530 R		
KAN KAN-therm Steel	M 15	570110	
	M 18 <sup>1)</sup>	570120	
	M 22	570130	
	M 28 <sup>1)</sup>	570140	
	M 35	570150	
	M 42 (4G)	570160	
	M 54 (4G)	570170	
	M 42 (PR-3S) <sup>3)</sup>	572706 R	
	M 54 (PR-3S) <sup>3)</sup>	572708 R	
	M 76,1 XL (PR-3S) <sup>3) 7)</sup>	579101 R	
M 88,9 XL (PR-3S) <sup>3) 7)</sup>	579102 R		
XP 108,0 XL (PR-3S) <sup>3) 7)</sup>	579109 R		
M 15 45° (PR-2B) <sup>3)</sup>	574522 R		
M 18 45° (PR-2B) <sup>3)</sup>	574524 R		
M 22 45° (PR-2B) <sup>3)</sup>	574526 R		
M 28 45° (PR-2B) <sup>3)</sup>	574528 R		
M 35 45° (PR-2B) <sup>3)</sup>	574530 R		
KE KELIT KELIT KELOX	U 16*	570765	
	U 18*	570770	
	U 20*	570775	
	U 25*	570780	
	U 32	570785	
	U 40	570790	
	U 50	570795	
	U 63 (S)	572365	
	U 75 (PR-3B) <sup>3)</sup>	572828 R	
	KE KELIT COPPERFIX Kupfer	M 15	570110
M 18		570120	
M 22		570130	
M 28		570140	
M 35		570150	
M 42 (PR-3S) <sup>3)</sup>		572706 R	
M 54 (PR-3S) <sup>3)</sup>		572708 R	
M 76,1 XL (PR-3S) <sup>3) 7)</sup>		579101 R	
M 88,9 XL (PR-3S) <sup>3) 7)</sup>		579102 R	
M 108,0 XL (PR-3S) <sup>3) 7)</sup>		579103 R	
M 15 45° (PR-2B) <sup>3)</sup>	574522 R		
M 18 45° (PR-2B) <sup>3)</sup>	574524 R		
M 22 45° (PR-2B) <sup>3)</sup>	574526 R		
M 28 45° (PR-2B) <sup>3)</sup>	574528 R		
M 35 45° (PR-2B) <sup>3)</sup>	574530 R		

System	Pressing contour	Art.-No.	
KE KELIT steelFIX C-Stahl	M 15	570110	
	M 18	570120	
	M 22	570130	
	M 28	570140	
	M 35	570150	
	M 42 (PR-3S) <sup>3)</sup>	572706 R	
	M 54 (PR-3S) <sup>3)</sup>	572708 R	
	M 76,1 XL (PR-3S) <sup>3) 7)</sup>	579101 R	
	M 88,9 XL (PR-3S) <sup>3) 7)</sup>	579102 R	
	M 108,0 XL (PR-3S) <sup>3) 7)</sup>	579103 R	
M 15 45° (PR-2B) <sup>3)</sup>	574522 R		
M 18 45° (PR-2B) <sup>3)</sup>	574524 R		
M 22 45° (PR-2B) <sup>3)</sup>	574526 R		
M 28 45° (PR-2B) <sup>3)</sup>	574528 R		
M 35 45° (PR-2B) <sup>3)</sup>	574530 R		
KE KELIT steelFIX Edelstahl	M 15	570110	
	M 18	570120	
	M 22	570130	
	M 28	570140	
	M 35	570150	
	M 42 (PR-3S) <sup>3)</sup>	572706 R	
	M 54 (PR-3S) <sup>3)</sup>	572708 R	
	M 76,1 XL (PR-3S) <sup>3) 7)</sup>	579101 R	
	M 88,9 XL (PR-3S) <sup>3) 7)</sup>	579102 R	
	M 108,0 XL (PR-3S) <sup>3) 7)</sup>	579103 R	
M 15 45° (PR-2B) <sup>3)</sup>	574522 R		
M 18 45° (PR-2B) <sup>3)</sup>	574524 R		
M 22 45° (PR-2B) <sup>3)</sup>	574526 R		
M 28 45° (PR-2B) <sup>3)</sup>	574528 R		
M 35 45° (PR-2B) <sup>3)</sup>	574530 R		
KEMBLA KemPress (AUS)	VAU 15 (OD 12,7 mm)	572687	
	VAU 20 (OD 19,1 mm)	572689	
	VAU 25 (OD 25,4 mm)	572691	
	VAU 32 (OD 31,8 mm)	572693	
	VAU 40 (OD 38,1 mm)	572695	
	VAU 50 (OD 50,8 mm)	572697	
	KEMBLA KemPress Gas (AUS)	VAU 15 (OD 12,7 mm)	572687
		VAU 20 (OD 19,1 mm)	572689
		VAU 25 (OD 25,4 mm)	572691
		VAU 32 (OD 31,8 mm)	572693
VAU 40 (OD 38,1 mm)		572695	
VAU 50 (OD 50,8 mm)		572697	
KISAN Kisan KD		KI 16*	571360
		KI 20*	571370
		KI 25*	571375
		TH 16*	570460
	TH 20*	570470	
	TH 25*	570495	
	KISAN Kisan WL	KI 16*	571360
		KI 20*	571370
		KI 25*	571375
		KI 32	571380
TH 16*		570460	
TH 20*		570470	
TH 25*		570495	
TH 32		570480	
KISAN Kisan WM		KI 16*	571360
		KI 20*	571370
	KI 25*	571375	
	KI 32	571380	
	U 20*	570775	
	U 25*	570780	
	U 32	570785	
	U 40	570790	
	U 50	570795	
	U 63 (S)	572365	
U 75 (PR-3B) <sup>3)</sup>	572828 R		
KISAN Kistal C	M 15	570110	
	M 18	570120	
	M 22	570130	
	M 28	570140	
	M 35	570150	
	M 42 (PR-3S) <sup>3)</sup>	572706 R	
	M 54 (PR-3S) <sup>3)</sup>	572708 R	
	M 76,1 XL (PR-3S) <sup>3) 7)</sup>	579101 R	
	M 88,9 XL (PR-3S) <sup>3) 7)</sup>	579102 R	
	M 108,0 XL (PR-3S) <sup>3) 7)</sup>	579103 R	
M 15 45° (PR-2B) <sup>3)</sup>	574522 R		
M 18 45° (PR-2B) <sup>3)</sup>	574524 R		
M 22 45° (PR-2B) <sup>3)</sup>	574526 R		
M 28 45° (PR-2B) <sup>3)</sup>	574528 R		
M 35 45° (PR-2B) <sup>3)</sup>	574530 R		

System	Pressing contour	Art.-No.		
KISAN Kistal Inox	M 15	570110		
	M 18	570120		
	M 22	570130		
	M 28	570140		
	M 35	570150		
	M 42 (PR-3S) <sup>3)</sup>	572706 R		
	M 54 (PR-3S) <sup>3)</sup>	572708 R		
	M 76,1 XL (PR-3S) <sup>3) 7)</sup>	579101 R		
	M 88,9 XL (PR-3S) <sup>3) 7)</sup>	579102 R		
	M 108,0 XL (PR-3S) <sup>3) 7)</sup>	579103 R		
M 15 45° (PR-2B) <sup>3)</sup>	574522 R			
M 18 45° (PR-2B) <sup>3)</sup>	574524 R			
M 22 45° (PR-2B) <sup>3)</sup>	574526 R			
M 28 45° (PR-2B) <sup>3)</sup>	574528 R			
M 35 45° (PR-2B) <sup>3)</sup>	574530 R			
KME cuprotherm CTX	TH 14*	570455		
	TH 16*	570460		
	TH 18*	570465		
	TH 20*	570470		
	TH 26*	570475		
	KME Q-Tec - Comap SkinPress	TH 14*	570455	
		TH 16*	570460	
		TH 20*	570470	
		TH 26*	570475	
		KME Q-Tec - Oventrop Cofit	H 16 A*	570620
H 20 A*			570650	
H 26 A*			570670	
<b>L</b>				
LECHAR ALCOBRAPEX			TH 16*	570460
			TH 20*	570470
	TH 26*		570475	
	TH 32		570480	
	TH 40		570485	
	LECHAR COBRAPEX		U 16*	570765
		U 20*	570775	
		U 25*	570780	
		U 32	570785	
		LEGEND-PRESS press fitting system	VUS ½" (OD 15,9 mm)	571770
VUS ¾" (OD 22,2 mm)			571775	
VUS 1" (OD 28,6 mm)			571780	
VUS 1¼" (OD 34,9 mm)			571785	
VUS 1½" (OD 41,3 mm)			571790	
VUS 2" (OD 54,0 mm)			571795	
VUSFz 2½" (PR-3B) <sup>3)</sup>	572819 R			
(OD 66,7 mm)				
VUSFz 3" (PR-3B) <sup>3)</sup>	572820 R			
(OD 79,4 mm)				
VUSFz 4" (PR-3B) <sup>3)</sup>	572821 R			
(OD 104,8 mm)				
LK Systems LK >B-Press	V 12	570107		
	V 15	570115		
	V 18	570125		
	V 22	570135		
	V 28	570145		
	V 35	570155		
	V 42	570165		
	V 54	570175		
	V 12 45° (PR-2B) <sup>3)</sup>	574502 R		
	V 15 45° (PR-2B) <sup>3)</sup>	574504 R		
V 18 45° (PR-2B) <sup>3)</sup>	574506 R			
V 22 45° (PR-2B) <sup>3)</sup>	574508 R			
V 28 45° (PR-2B) <sup>3)</sup>	574510 R			
V 35 45° (PR-2B) <sup>3)</sup>	574512 R			
LK Systems LK >B-Press Elfözinkat	V 12	570107		
	V 15	570115		
	V 18	570125		
	V 22	570135		
	V 28	570145		
	V 35	570155		
	V 42	570165		
	V 54	570175		
	V 12 45° (PR-2B) <sup>3)</sup>	574502 R		
	V 15 45° (PR-2B) <sup>3)</sup>	574504 R		
V 18 45° (PR-2B) <sup>3)</sup>	574506 R			
V 22 45° (PR-2B) <sup>3)</sup>	574508 R			
V 28 45° (PR-2B) <sup>3)</sup>	574510 R			
V 35 45° (PR-2B) <sup>3)</sup>	574512 R			
LK Systems LK >B-Press Gas	V 15	570115		
	V 18	570125		
	V 22	570135		
	V 28	570145		
	V 35	570155		
	V 42	570165		
	V 54	570175		
	V 15 45° (PR-2B) <sup>3)</sup>	574504 R		
	V 18 45° (PR-2B) <sup>3)</sup>	574506 R		
	V 22 45° (PR-2B) <sup>3)</sup>	574508 R		
V 28 45° (PR-2B) <sup>3)</sup>	574510 R			
V 35 45° (PR-2B) <sup>3)</sup>	574512 R			

Pressfitting systems for gas installations may only be pressed with the pressing tongs/pressing rings which are highlighted in yellow in the table. Observe the national regulations.

\* These pressing tongs also fit in the ROLLER'S Easy-Press manual radial press. Observe the national regulations.

<sup>1)</sup> Only pressing tongs from designation "108" (1<sup>st</sup> quarter of 2008), "208" (2<sup>nd</sup> quarter of 2008) etc. can be used. The designation is stamped on every pressing jaw.

<sup>2)</sup> Making the press joint with manual radial presses is not permitted for this pressfitting system.

<sup>3)</sup> Adaptor tongs, see page 87, are necessary for driving the pressing rings (PR).

<sup>4)</sup> Press fittings made of red bronze (ProPress XL) must be pressed with pressing rings with pressing contour VUSR, fittings made of copper (ProPress XL-C) and stainless steel (ProPress XL-S) must be pressed with pressing rings with pressing contour VUSF.

<sup>5)</sup> For accommodating suitable pressing inserts.

<sup>6)</sup> Press fittings made of red bronze (Sanpress XL) must be pressed with pressing rings with pressing contour VR, press fittings made of copper (Profipress XL and Profipress G XL), carbon steel (Prestabo XL) and stainless steel (Sanpress Inox XL, Sanpress Inox G XL) must be pressed with pressing contour VF.

<sup>7)</sup> Driven by ROLLER'S Uni-Press XL ACC.

Suitability of the ROLLER'S pressing tools for pressfitting systems: Status 16.5.2018. The current status can be found on the Internet: [www.albert-roller.de](http://www.albert-roller.de) → Downloads → Product Catalogues, Brochures → ROLLER Catalogue. Pressing tongs/pressing rings for other press fitting systems on request.

# ROLLER'S pressing tongs / pressing rings

Accessory for ROLLER'S radial presses (except for ROLLER'S Multi-Press Mini ACC, Multi-Press Mini 22 V ACC, Multi-Press Mini S 22 V ACC) and other makes

System	Pressing contour	Art.-No.	
LK Systems LK Universal	TH 16*	570460	
	TH 20*	570470	
	TH 25*	570495	
	TH 32	570480	
	TH 40	570485	
	TH 50 (S)	572400	
	TH 63 (S)	572405	
LVI-DAHL Altech-Alupex	U 16*	570765	
	U 20*	570775	
	U 25*	570780	
	U 32	570785	
<b>M</b>			
MAINCOR MAINPRESS	U 16*	570765	
	U 20*	570775	
	U 25*	570780	
	U 32	570785	
MAINCOR MAINFLOR	U 16*	570765	
	U 20*	570775	
MAINCOR MAINOX	M 15	570110	
	M 18 <sup>9)</sup>	570120	
	M 22	570130	
	M 28 <sup>9)</sup>	570140	
	M 35	570150	
	M 42 (PR-3S) <sup>9)</sup>	572706 R	
	M 54 (PR-3S) <sup>9)</sup>	572708 R	
Mair Heiztechnik Gomafix Cu/E	M 12	570100	
	M 15	570110	
	M 18 <sup>9)</sup>	570120	
	M 22	570130	
	M 12 45° (PR-2B) <sup>9)</sup>	574520 R	
	M 15 45° (PR-2B) <sup>9)</sup>	574522 R	
	M 18 45° (PR-2B) <sup>9)</sup>	574524 R	
	M 22 45° (PR-2B) <sup>9)</sup>	574526 R	
Mair Heiztechnik Gomafix M	H 11,5*	570315	
	H 14*	570310	
	H 16*	570320	
	H 20*	570350	
Mair Heiztechnik M-Press	H 11,5*	570315	
	H 14*	570310	
	H 16*	570320	
	H 20*	570350	
	H 26*	570370	
	H 32	570380	
	U 40	570790	
Ma.s.ter System PRESSMASTER	TH 14*	570455	
	TH 16*	570460	
	TH 18*	570465	
	TH 20*	570470	
	TH 25*	570495	
	TH 26*	570475	
	TH 32	570480	
	TH 40	570485	
	TH 50 (S)	572400	
	TH 63 (S)	572405	
	H 14*	570310	
	H 16*	570320	
	H 18*	570340	
	H 20*	570350	
	H 26*	570370	
	H 32	570380	
	H 40 (4G)	570390	
METALGRUP PexGrup	RFz 16*	571325	
	RFz 20*	571330	
	RFz 25	571335	
	RFz 32	571340	
	METALGRUP MultiGrup	U 16*	570765
		U 18*	570770
		U 20*	570775
		U 25*	570780
		U 32	570785
	Mueller Industries Streamline PRS	VUS ½" (OD 15,9 mm)	571770
		VUS ¾" (OD 22,2 mm)	571775
		VUS 1" (OD 28,6 mm)	571780
		VUS 1¼" (OD 34,9 mm)	571785
		VUS 1½" (OD 41,3 mm)	571790
		VUS 2" (OD 54,0 mm)	571795
		VUSFz 2½" (PR-3B) <sup>9)</sup>	572819 R
		(OD 66,7 mm)	
		VUSFz 3" (PR-3B) <sup>9)</sup>	572820 R
(OD 79,4 mm)			
VUSFz 4" (PR-3B) <sup>9)</sup>	572821 R		
(OD 104,8 mm)			
MULTITHERM PRESSSYSTEM	TH 16*	570460	
	TH 20*	570470	
	TH 26*	570475	
	TH 32	570480	
	TH 40	570485	
	TH 50 (S)	572400	
	TH 63 (S)	572405	
	THz 75 (PR-3B) <sup>9)</sup>	572829 R	
Multicapas Industrial AIS PEX	RFz 16*	571325	
	RFz 20*	571330	
	RFz 25	571335	
	RFz 32	571340	
	U 16*	570765	
	U 20*	570775	
	U 25*	570780	
	U 32	570785	

System	Pressing contour	Art.-No.
Multicapas Industrial multitubo systems MC	MT 20*	571744
	MT 25*	571746
	MT 32	571748
	U 16*	570765
	U 18*	570770
	U 20*	570775
	U 25*	570780
	U 32	570785
	U 40	570790
	U 50	570795
	U 63 (S)	572365
	U 63 (PR-3B) <sup>9)</sup>	572837 R
	U 75 (PR-3B) <sup>9)</sup>	572828 R
	Multicapas Industrial multitubo systems MM	H 16*
H 20*		570350
H 25*		570360
H 26*		570370
H 32		570380
MT 20*		571744
MT 25*		571746
MT 32		571748
RFz 16*		571325
RFz 20*		571330
RFz 25		571335
RFz 32		571340
TH 16*		570460
TH 20*		570470
TH 25*		570495
TH 26*		570475
TH 32	570480	
U 16*	570765	
U 20*	570775	
U 25*	570780	
U 32	570785	
<b>N</b>		
NEUTHERM MEKUPRESS-HT	H 16*	570320
	H 20*	570350
NIBCO (USA) Press System Copper	H 26*	570370
	H 32	570380
	H 40 (4G)	570390
	U 40	570790
	VUS ½" (OD 15,9 mm)	571770
	VUS ¾" (OD 22,2 mm)	571775
	VUS 1" (OD 28,6 mm)	571780
VUS 1¼" (OD 34,9 mm)	571785	
VUS 1½" (OD 41,3 mm)	571790	
VUS 2" (OD 54,0 mm)	571795	
Nicol Fluxo	TH 16*	570460
	TH 20*	570470
	TH 26*	570475
	TH 32	570480
	TH 40	570485
	TH 50 (S)	572400
	TH 63 (S)	572405
	THz 75 (PR-3B) <sup>9)</sup>	572829 R
NUPI Industrie Italiane Multinupi	U 14*	570760
	U 16*	570765
	U 18*	570770
	U 20*	570775
	U 26*	570785
NUPI Industrie Italiane Multipinza	U 32	570795
	U 40	570790
	U 50	570795
	U 63 (PR-3B) <sup>9)</sup>	572837 R
	U 63 (S)	572365
	B 16*	570850
	B 18*	570855
	B 20*	570860
	B 26	570870
	B 32	570880
	F 16*	570715
	F 18*	570720
	F 20*	570725
	F 26*	570730
	F 32	570735
	F 16 45° (PR-2B) <sup>9)</sup>	574550 R
F 20 45° (PR-2B) <sup>9)</sup>	574552 R	
F 26 45° (PR-2B) <sup>9)</sup>	574554 R	
F 32 45° (PR-2B) <sup>9)</sup>	574556 R	
H 16*	570320	
H 18*	570340	
H 20*	570350	
H 26*	570370	
H 32	570380	
TH 16*	570460	
TH 18*	570465	
TH 20*	570470	
TH 26*	570475	
TH 32	570480	
U 16*	570765	
U 18*	570770	
U 20*	570775	
U 26*	570785	
U 32	570790	
Nussbaum Optifit-Press	VMP ¾" (OD 17,2 mm)	571740
	VMP ½" (OD 21,3 mm)	571762
	VMPz ¾" (OD 26,9 mm)	571764
	VMPz 1" (OD 33,7 mm)	571767
	VMPz 1¼" (S)	572413
	(OD 42,4 mm)	
	VMPz 1½" (PR-3B) <sup>9)</sup>	572844 R
(OD 48,3 mm)		
VMPz 2" (PR-3B) <sup>9)</sup>	572845 R	
(OD 60,3 mm)		
Nussbaum Optiflex-Flowpress	VRX 16	571750
	VRX 20	571752
	VRX 25	571754
	VRX 32	571756
	VRX 40	571758
	VRX 50	571760
	VRX 63	571797
Nussbaum Optiflex Press	VP 16*	570910
	VP 20*	570915
	VP 25*	570920
	VP 32	570925

System	Pressing contour	Art.-No.	
Nussbaum Optipress	V 15	570115	
	V 18	570125	
	V 22	570135	
	V 28	570145	
	V 35	570155	
	V 42	570165	
	V 54	570175	
	Vfz 64,0 (PR-3B) <sup>9)</sup>	572815 R	
	Vfz 76,1 (PR-3B) <sup>9)</sup>	572816 R	
	Vfz 88,9 (PR-3B) <sup>9)</sup>	572817 R	
	Vfz 108,0 (PR-3B) <sup>9)</sup>	572818 R	
	V 15 45° (PR-2B) <sup>9)</sup>	574504 R	
	V 18 45° (PR-2B) <sup>9)</sup>	574506 R	
	V 22 45° (PR-2B) <sup>9)</sup>	574508 R	
	V 28 45° (PR-2B) <sup>9)</sup>	574510 R	
	V 35 45° (PR-2B) <sup>9)</sup>	574512 R	
Nussbaum Optipress-Gaz	V 15	570115	
	V 18	570125	
	V 22	570135	
	V 28	570145	
	V 35	570155	
	V 42	570165	
	V 54	570175	
	Vfz 64,0 (PR-3B) <sup>9)</sup>	572815 R	
	Vfz 76,1 (PR-3B) <sup>9)</sup>	572816 R	
	Vfz 88,9 (PR-3B) <sup>9)</sup>	572817 R	
	Vfz 108,0 (PR-3B) <sup>9)</sup>	572818 R	
	V 15 45° (PR-2B) <sup>9)</sup>	574504 R	
	V 18 45° (PR-2B) <sup>9)</sup>	574506 R	
	V 22 45° (PR-2B) <sup>9)</sup>	574508 R	
	V 28 45° (PR-2B) <sup>9)</sup>	574510 R	
	V 35 45° (PR-2B) <sup>9)</sup>	574512 R	
Nussbaum Optipress-Therm	V 15	570115	
	V 18	570125	
	V 22	570135	
	V 28	570145	
	V 35	570155	
	V 42	570165	
	V 54	570175	
	Vfz 64,0 (PR-3B) <sup>9)</sup>	572815 R	
	Vfz 76,1 (PR-3B) <sup>9)</sup>	572816 R	
	Vfz 88,9 (PR-3B) <sup>9)</sup>	572817 R	
	Vfz 108,0 (PR-3B) <sup>9)</sup>	572818 R	
	V 15 45° (PR-2B) <sup>9)</sup>	574504 R	
	V 18 45° (PR-2B) <sup>9)</sup>	574506 R	
	V 22 45° (PR-2B) <sup>9)</sup>	574508 R	
	V 28 45° (PR-2B) <sup>9)</sup>	574510 R	
	V 35 45° (PR-2B) <sup>9)</sup>	574512 R	
<b>O</b>			
O.M.T. - Press	TH 16*	570460	
	TH 20*	570470	
	TH 26*	570475	
	TH 32	570480	
	TH 40	570485	
Oventrop Cofit P	H 16 A*	570620	
	H 20 A*	570650	
	H 26 A*	570670	
	H 32 A	570680	
	H 40 A	570690	
	U 50	570795	
	U 63 (PR-3B) <sup>9)</sup>	572837 R	
	U 63 (S)	572365	
Oventrop Cofit PD	H 16 A*	570620	
	H 20 A*	570650	
Oventrop Cofit PDK	H 16 A*	570620	
	H 20 A*	570650	
Oventrop Cofit PD-HT	H 16 A*	570620	
	H 20 A*	570650	
Oventrop Cofit PDK-HT	H 16 A*	570620	
	H 20 A*	570650	
<b>P</b>			
PBtub SERTIPRESS	RFz 12*	571320	
	RFz 16*	571325	
	RFz 20*	571330	
	RFz 25	571335	
PBtub SERTI-STEEL	M 15	570110	
	M 18	570120	
	M 22	570130	
	M 28	570140	
	M 35	570150	
	M 42 (PR-3S) <sup>9)</sup>	572706 R	
	M 54 (PR-3S) <sup>9)</sup>	572708 R	
	M 15 45° (PR-2B) <sup>9)</sup>	574522 R	
	M 18 45° (PR-2B) <sup>9)</sup>	574524 R	
	M 22 45° (PR-2B) <sup>9)</sup>	574526 R	
	M 28 45° (PR-2B) <sup>9)</sup>	574528 R	
	M 35 45° (PR-2B) <sup>9)</sup>	574530 R	
	Pegler Yorkshire XPress Carbon	M 12	570100
		M 15	570110
		M 18 <sup>9)</sup>	570120
		M 22	570130
M 28 <sup>9)</sup>		570140	
M 35		570150	
M 42 (PR-3S) <sup>9)</sup>		572706 R	
M 54 (PR-3S) <sup>9)</sup>		572708 R	
M 76,1 XL (PR-3S) <sup>9)</sup>		579101 R	
M 88,9 XL (PR-3S) <sup>9)</sup>		579102 R	
M 108,0 XL (PR-3S) <sup>9)</sup>		579103 R	
M 12 45° (PR-2B) <sup>9)</sup>		574520 R	
M 15 45° (PR-2B) <sup>9)</sup>		574522 R	
M 18 45° (PR-2B) <sup>9)</sup>		574524 R	
M 22 45° (PR-2B) <sup>9)</sup>		574526 R	
M 28 45° (PR-2B) <sup>9)</sup>		574528 R	
M 35 45° (PR-2B) <sup>9)</sup>	574530 R		



System	Pressing contour	Art.-No.
Pegler Yorkshire XPress Copper	M 12	570100
	M 15	570110
	M 18 <sup>1)</sup>	570120
	M 22	570130
	M 28 <sup>2)</sup>	570140
	M 35	570150
	M 42 (PR-3S) <sup>3)</sup>	572706 R
	M 54 (PR-3S) <sup>3)</sup>	572708 R
	XP 64,0 XL (PR-3S) <sup>3) 7)</sup>	579100 R
	XP 66,7 XL (PR-3S) <sup>3) 7)</sup>	579108 R
	M 76,1 XL (PR-3S) <sup>3) 7)</sup>	579101 R
	M 88,9 XL (PR-3S) <sup>3) 7)</sup>	579102 R
	XP 108,0 XL (PR-3S) <sup>3) 7)</sup>	579109 R
	M 12 45° (PR-2B) <sup>3)</sup>	574520 R
M 15 45° (PR-2B) <sup>3)</sup>	574522 R	
M 18 45° (PR-2B) <sup>3)</sup>	574524 R	
M 22 45° (PR-2B) <sup>3)</sup>	574526 R	
M 28 45° (PR-2B) <sup>3)</sup>	574528 R	
M 35 45° (PR-2B) <sup>3)</sup>	574530 R	
Pegler Yorkshire XPress Copper Gas	M 15	570110
	M 18 <sup>1)</sup>	570120
	M 22	570130
	M 28 <sup>2)</sup>	570140
	M 35	570150
	M 42 (PR-3S) <sup>3)</sup>	572706 R
	M 54 (PR-3S) <sup>3)</sup>	572708 R
Pegler Yorkshire XPress Stainless	M 15	570110
	M 18 <sup>1)</sup>	570120
	M 22	570130
	M 28 <sup>2)</sup>	570140
	M 35	570150
	M 42 (PR-3S) <sup>3)</sup>	572706 R
	M 54 (PR-3S) <sup>3)</sup>	572708 R
	M 76,1 XL (PR-3S) <sup>3) 7)</sup>	579101 R
	M 88,9 XL (PR-3S) <sup>3) 7)</sup>	579102 R
	M 108,0 XL (PR-3S) <sup>3) 7)</sup>	579103 R
	M 15 45° (PR-2B) <sup>3)</sup>	574522 R
	M 18 45° (PR-2B) <sup>3)</sup>	574524 R
	M 22 45° (PR-2B) <sup>3)</sup>	574526 R
	M 28 45° (PR-2B) <sup>3)</sup>	574528 R
M 35 45° (PR-2B) <sup>3)</sup>	574530 R	
PERFEXIM "PERFEKT SYSTEM"	U 16*	570765
	U 20*	570775
	U 25*	570780
	U 32	570785
PERFILTUBO PERFILALUPEX	U 16*	570765
	U 18*	570770
	U 20*	570775
	U 25*	570780
	U 32	570785
	U 40	570790
	U 50	570795
	U 63 (PR-3B) <sup>3)</sup>	572837 R
	U 63 (S)	572365
	U 75 (PR-3B) <sup>3)</sup>	572828 R
PERFILTUBO PERFILPRESS	M 15	570110
	M 18	570120
	M 22	570130
	M 28	570140
	M 35	570150
	M 42 (4G)	570160
	M 54 (4G)	570170
	M 42 (PR-3S) <sup>3)</sup>	572706 R
	M 54 (PR-3S) <sup>3)</sup>	572708 R
	M 76,1 XL (PR-3S) <sup>3) 7)</sup>	579101 R
	M 88,9 XL (PR-3S) <sup>3) 7)</sup>	579102 R
	M 108,0 XL (PR-3S) <sup>3) 7)</sup>	579103 R
	M 15 45° (PR-2B) <sup>3)</sup>	574522 R
	M 18 45° (PR-2B) <sup>3)</sup>	574524 R
M 22 45° (PR-2B) <sup>3)</sup>	574526 R	
M 28 45° (PR-2B) <sup>3)</sup>	574528 R	
M 35 45° (PR-2B) <sup>3)</sup>	574530 R	
PEXTUBE PexTube	Rfz 16*	571325
	Rfz 20*	571330
	Rfz 25	571337
	Rfz 32	571342
Pipelife C-PRESS	M 15	570110
	M 18	570120
	M 22	570130
	M 28	570140
	M 35	570150
	M 42 (PR-3S) <sup>3)</sup>	572706 R
	M 54 (PR-3S) <sup>3)</sup>	572708 R
	M 76,1 XL (PR-3S) <sup>3) 7)</sup>	579101 R
	M 88,9 XL (PR-3S) <sup>3) 7)</sup>	579102 R
	M 108,0 XL (PR-3S) <sup>3) 7)</sup>	579103 R
	M 15 45° (PR-2B) <sup>3)</sup>	574522 R
	M 18 45° (PR-2B) <sup>3)</sup>	574524 R
	M 22 45° (PR-2B) <sup>3)</sup>	574526 R
	M 28 45° (PR-2B) <sup>3)</sup>	574528 R
M 35 45° (PR-2B) <sup>3)</sup>	574530 R	

System	Pressing contour	Art.-No.		
Pipelife RADOPRESS	TH 16*	570460		
	TH 18*	570465		
	TH 20*	570470		
	TH 26*	570475		
	TH 32	570480		
	TH 40	570485		
	TH 50 (S)	572400		
	TH 63 (S)	572405		
Pipetec Connect	TH 16*	570460		
	TH 20*	570470		
	TH 26*	570475		
	TH 32	570480		
	TH 40	570485		
	TH 50 (S)	572400		
	TH 63 (S)	572405		
PLASTICAALFA Multypex	TH 16*	570460		
	TH 20*	570470		
	TH 26*	570475		
	TH 32	570480		
	TH 40	570485		
	TH 50 (S)	572400		
	TH 63 (S)	572405		
PLASTICAALFA Multypexalfa Gas	TH 16*	570460		
	TH 20*	570470		
	TH 26*	570475		
	TH 32	570480		
	TH 40	570485		
	TH 50 (S)	572400		
	TH 63 (S)	572405		
PLASTICAALFA Multypexalfa Gas protek	TH 16*	570460		
	TH 20*	570470		
	TH 26*	570475		
	TH 32	570480		
	TH 40	570485		
	TH 50 (S)	572400		
	TH 63 (S)	572405		
PLASTICAALFA Multypex Air	TH 16*	570460		
	TH 20*	570470		
	TH 26*	570475		
	TH 32	570480		
	TH 40	570485		
	TH 50 (S)	572400		
	TH 63 (S)	572405		
PLASTICAALFA Multypex Plus	TH 16*	570460		
	TH 20*	570470		
	TH 26*	570475		
	TH 32	570480		
	TH 40	570485		
	TH 50 (S)	572400		
	TH 63 (S)	572405		
PLASTICAALFA Multypex Thermo	TH 16*	570460		
	TH 20*	570470		
	TH 26*	570475		
	TH 32	570480		
	TH 40	570485		
	TH 50 (S)	572400		
	TH 63 (S)	572405		
PLASTICAALFA Multypex Thermo Plus	TH 16*	570460		
	TH 20*	570470		
	TH 26*	570475		
	TH 32	570480		
	TH 40	570485		
	TH 50 (S)	572400		
	TH 63 (S)	572405		
PLÁSTICOS FERRO FERROPLAST	U 16*	570765		
	U 20*	570775		
	U 25*	570780		
	U 32	570785		
GPF MC PRESS Pressfitting MULTICAPA	U 16*	570765		
	U 20*	570775		
	U 25*	570780		
	U 32	570785		
PLÁSTICOS FERRO FERROPLAST	U 16*	570765		
	U 20*	570775		
	U 25*	570780		
	U 32	570785		
GPF PPSU Pressfitting PE-X y MULTICAPA	U 16*	570765		
	U 20*	570775		
	U 25*	570780		
	U 32	570785		
PLÁSTICOS FERRO FERROPLAST	Rfz 16*	571325		
	Rfz 20*	571330		
	Rfz 25	571335		
	Rfz 32	571340		
GPF PRESS Pressfitting PE-X	Rfz 16*	571325		
	Rfz 20*	571330		
	Rfz 25	571335		
	Rfz 32	571340		
PLUMBING PLUS EziPex Crimp (AUS)	K16/P18*	572600		
	K20*	572605		
	K25*	572610		
	K32	572615		
	K1/40	572620		
	K1/50	572625		
	PLUMBING PLUS EziPex Gas (AUS)	K16/P18*	572600	
		K20*	572605	
		K25*	572610	
		K32	572615	
		K1/40	572620	
		K1/50	572625	
		PLUMBING PLUS EziPress Gas (AUS)	VAU 15 (OD 12,7 mm)	572687
			VAU 20 (OD 19,1 mm)	572689
VAU 25 (OD 25,4 mm)			572691	
VAU 32 (OD 31,8 mm)			572693	
VAU 40 (OD 38,1 mm)			572695	
VAU 50 (OD 50,8 mm)			572697	
VAUFz 65 (PR-3B) <sup>3)</sup>			572839 R	
(OD 63,5 mm)				
VAUFz 80 (PR-3B) <sup>3)</sup>	572840 R			
(OD 76,2 mm)				
VAUFz 100 (PR-3B) <sup>3)</sup>	572841 R			
(OD 101,6 mm)				
PLUMBING PLUS EziPress Solar (AUS)	VAU 15 (OD 12,7 mm)		572687	
	VAU 20 (OD 19,1 mm)		572689	
	VAU 25 (OD 25,4 mm)	572691		
	VAU 32 (OD 31,8 mm)	572693		
	VAU 40 (OD 38,1 mm)	572695		
	VAU 50 (OD 50,8 mm)	572697		

System	Pressing contour	Art.-No.	
PLUMBING PLUS EziPress Water (AUS)	VAU 15 (OD 12,7 mm)	572687	
	VAU 20 (OD 19,1 mm)	572689	
	VAU 25 (OD 25,4 mm)	572691	
	VAU 32 (OD 31,8 mm)	572693	
	VAU 40 (OD 38,1 mm)	572695	
	VAU 50 (OD 50,8 mm)	572697	
	VAUFz 65 (PR-3B) <sup>3)</sup>	572839 R	
	(OD 63,5 mm)		
	VAUFz 80 (PR-3B) <sup>3)</sup>	572840 R	
	(OD 76,2 mm)		
	VAUFz 100 (PR-3B) <sup>3)</sup>	572841 R	
	(OD 101,6 mm)		
	POLYPIPE POLYSURE	TH 10*	570467
		TH 15*	570457
TH 22*		570472	
TH 28		570477	
POLYSAN Handelsges. m.b.H. & Co KG (Krems/Öster- reich)	M 15	570110	
	M 18	570120	
	M 22	570130	
	M 28	570140	
	M 35	570150	
	M 42 (PR-3S) <sup>3)</sup>	572706 R	
	M 54 (PR-3S) <sup>3)</sup>	572708 R	
	M 76,1 XL (PR-3S) <sup>3) 7)</sup>	579101 R	
	M 88,9 XL (PR-3S) <sup>3) 7)</sup>	579102 R	
	M 108,0 XL (PR-3S) <sup>3) 7)</sup>	579103 R	
	M 15 45° (PR-2B) <sup>3)</sup>	574522 R	
	M 18 45° (PR-2B) <sup>3)</sup>	574524 R	
	M 22 45° (PR-2B) <sup>3)</sup>	574526 R	
	M 28 45° (PR-2B) <sup>3)</sup>	574528 R	
M 35 45° (PR-2B) <sup>3)</sup>	574530 R		
POLYSAN Handelsges. m.b.H. & Co KG (Krems/Öster- reich)	V 15	570115	
	V 18	570125	
	V 22	570135	
	V 28	570145	
	V 35	570155	
	V 42	570165	
	V 54	570175	
	V 15 45° (PR-2B) <sup>3)</sup>	574504 R	
	V 18 45° (PR-2B) <sup>3)</sup>	574506 R	
	V 22 45° (PR-2B) <sup>3)</sup>	574508 R	
	V 28 45° (PR-2B) <sup>3)</sup>	574510 R	
	V 35 45° (PR-2B) <sup>3)</sup>	574512 R	
	POLYSAN Handelsges. m.b.H. & Co KG (Krems/Öster- reich)	M 15	570110
		M 18	570120
M 22		570130	
M 28		570140	
M 35		570150	
M 42 (PR-3S) <sup>3)</sup>		572706 R	
M 54 (PR-3S) <sup>3)</sup>		572708 R	
M 76,1 XL (PR-3S) <sup>3) 7)</sup>		579101 R	
M 88,9 XL (PR-3S) <sup>3) 7)</sup>		579102 R	
M 108,0 XL (PR-3S) <sup>3) 7)</sup>		579103 R	
M 15 45° (PR-2B) <sup>3)</sup>		574522 R	
M 18 45° (PR-2B) <sup>3)</sup>		574524 R	
M 22 45° (PR-2B) <sup>3)</sup>		574526 R	
M 28 45° (PR-2B) <sup>3)</sup>		574528 R	
M 35 45° (PR-2B) <sup>3)</sup>	574530 R		
POLYSAN Edelstahl Press-System Gas	M 15	570110	
	M 18	570120	
	M 22	570130	
	M 28	570140	
	M 35	570150	
	M 42 (PR-3S) <sup>3)</sup>	572706 R	
	M 54 (PR-3S) <sup>3)</sup>	572708 R	
	M 76,1 XL (PR-3S) <sup>3) 7)</sup>	579101 R	
	M 88,9 XL (PR-3S) <sup>3) 7)</sup>	579102 R	
	M 108,0 XL (PR-3S) <sup>3) 7)</sup>	579103 R	
	M 15 45° (PR-2B) <sup>3)</sup>	574522 R	
	M 18 45° (PR-2B) <sup>3)</sup>	574524 R	
	M 22 45° (PR-2B) <sup>3)</sup>	574526 R	
	M 28 45° (PR-2B) <sup>3)</sup>	574528 R	
M 35 45° (PR-2B) <sup>3)</sup>	574530 R		
POLYSAN Handelsges. m.b.H. & Co KG (Krems/Öster- reich)	TH 14*	570455	
	TH 16*	570460	
	TH 17*	570462	
	TH 18*	570465	
	TH 20*	570470	
	TH 26*	570475	
	TH 32	570480	
	TH 40	570485	
	TH 50 (S)	572400	
	TH 63 (S)	572405	
	THz 75 (PR-3B) <sup>3)</sup>	572829 R	
	POLYSAN Handelsges. m.b.H. & Co KG (Krems/Öster- reich)	TH 14*	570455
		TH 16*	570460
		TH 17*	570462
TH 18*		570465	
TH 20*		570470	
TH 26*		570475	
TH 32		570480	
TH 40		570485	
TH 50 (S)		572400	
TH 63 (S)		572405	
THz 75 (PR-3B) <sup>3)</sup>		572829 R	
POLYSAN Henco- Press-System		HE 32	571900
		HEz 40	571904
		POLYSAN (España) Rainbow	U 16*
	U 18*		570770
	U 20*		570775
	U 25*		570780
	U 32		570785
	U 40		570790
	U 50		570795
	U 63 (PR-3B) <sup>3)</sup>		572837 R
	U 63 (S)		572365

Pressfitting systems for gas installations may only be pressed with the pressing tongs/pressing rings which are highlighted in yellow in the table. Observe the national regulations.

\* These pressing tongs also fit in the ROLLER'S Easy-Press manual radial press. Observe the national regulations.

<sup>1)</sup> Only pressing tongs from designation "108" (1<sup>st</sup> quarter of 2008), "208" (2<sup>nd</sup> quarter of 2008) etc. can be used. The designation is stamped on every pressing jaw.

<sup>2)</sup> Making the press joint with manual radial presses is not permitted for this pressfitting system.

<sup>3)</sup> Adaptor tongs, see page 87, are necessary for driving the pressing rings (PR).

<sup>4)</sup> Press fittings made of red bronze (ProPress XL) must be pressed with pressing rings with pressing contour VUSR, fittings made of

# ROLLER'S pressing tongs / pressing rings

Accessory for ROLLER'S radial presses (except for ROLLER'S Multi-Press Mini ACC, Multi-Press Mini 22 V ACC, Multi-Press Mini S 22 V ACC) and other makes

System	Pressing contour	Art.-No.	
Prandelli Multyrama Pf	H 14*	570310	
	H 16*	570320	
	H 18*	570340	
	H 20*	570350	
	H 26*	570370	
	H 32	570380	
	U 40	570790	
	U 50	570795	
	U 63 (PR-3B) <sup>3)</sup>	572837 R	
	Prandelli Multyrama Pfm	H 16*	570320
		H 18*	570340
H 20*		570350	
H 26*		570370	
H 32		570380	
TH 16*		570460	
TH 18*		570465	
TH 20*		570470	
TH 26*		570475	
TH 32		570480	
U 16*		570765	
U 18*	570770		
U 20*	570775		
<b>R</b>			
Raccorderie Metalliche aesPRES <sup>1)</sup>	M 15	570110	
	M 18	570120	
	M 22	570130	
	M 28	570140	
	M 35	570150	
Raccorderie Metalliche inoxPRES <sup>1)</sup>	M 15	570110	
	M 18	570120	
	M 22	570130	
	M 28	570140	
	M 35	570150	
Raccorderie Metalliche steelPRES <sup>1)</sup>	M 15	570110	
	M 18	570120	
	M 22	570130	
	M 28	570140	
	M 35	570150	
RBM Tita-gas	TH 16*	570460	
	TH 20*	570470	
	TH 26*	570475	
	TH 32	570480	
	RBM Tita-fix	B 14*	570845
B 16*		570850	
B 18*		570855	
B 20*		570860	
B 26		570870	
F 16*		570717	
F 18*		570720	
F 20*		570727	
F 16 45° (PR-2B) <sup>3)</sup>		574550 R	
F 20 45° (PR-2B) <sup>3)</sup>		574552 R	
H 14*		570310	
H 16*		570320	
H 18*		570340	
H 20*		570350	
H 26*		570370	
H 32		570380	
TH 14*		570455	
TH 16*	570460		
TH 18*	570465		
TH 20*	570470		
TH 26*	570475		
TH 32	570480		
TH 40	570485		
TH 50 (S)	572400		
TH 63 (S)	572405		
U 14*	570760		
U 16*	570765		
U 18*	570770		
U 20*	570775		
Redi Nicoll Fluxo	TH 14*	570455	
	TH 16*	570460	
	TH 18*	570465	
	TH 20*	570470	
	TH 26*	570475	
	TH 32	570480	
	TH 40	570485	
	TH 50 (S)	572400	
	TH 63 (S)	572405	
	THz 75 (PR-3B) <sup>3)</sup>	572829 R	
Redi Nicoll Fluxo Gas	TH 16*	570460	
	TH 20*	570470	
	TH 26*	570475	
RIFENG U PRESS FITTING (F5)	U 14*	570760	
	U 16*	570765	
	U 18*	570770	
	U 20*	570775	
	U 25*	570780	
	U 32	570785	
	U 40	570790	
	U 50	570795	
	U 63 (S)	572365	
	U 63 (PR-3B) <sup>3)</sup>	572837 R	
U 75 (PR-3B) <sup>3)</sup>	572828 R		
RIFENG TH PRESS FITTING (F9)	TH 16*	570460	
	TH 20*	570470	
	TH 25*	570495	
	TH 26*	570475	
	TH 32	570480	
	TH 40	570485	
	TH 50 (S)	572400	
	TH 63 (S)	572405	
	RIQUIER A SERTIR	RFz 12*	571320
		RFz 16*	571325
RFz 20*		571330	
RFz 25*		571335	
Roth PressCheck		RN 14*	572672
	RN 16	572670	
	RN 17*	572674	
	RN 20*	572676	
	RN 25/26	572678	
	RN 32	572680	
	RN 40 (PR-3S) <sup>3)</sup>	572714 R	
	RN 50 (PR-3S) <sup>3)</sup>	572716 R	
	RNz 63 (PR-3B) <sup>3)</sup>	572836 R	

System	Pressing contour	Art.-No.	
Roth España - Global Plastic Rothapress	TH 16*	570460	
	TH 18*	570465	
	TH 20*	570470	
	TH 25*	570495	
	TH 32	570480	
	TH 40	570485	
	TH 50 (S)	572400	
	TH 63 (S)	572405	
	Rubinetteria Bresciane Bonomi TURBO INOX	M 15	570110
		M 18	570120
		M 22	570130
		M 28	570140
		M 35	570150
M 42 (PR-3S) <sup>3)</sup>		572706 R	
M 54 (PR-3S) <sup>3)</sup>		572708 R	
M 76.1 XL (PR-3S) <sup>3)7)</sup>		579101 R	
M 88.9 XL (PR-3S) <sup>3)7)</sup>		579102 R	
M 108.0 XL (PR-3S) <sup>3)7)</sup>		579103 R	
M 15 45° (PR-2B) <sup>3)</sup>		574522 R	
M 18 45° (PR-2B) <sup>3)</sup>		574524 R	
M 22 45° (PR-2B) <sup>3)</sup>		574526 R	
M 28 45° (PR-2B) <sup>3)</sup>	574528 R		
M 35 45° (PR-2B) <sup>3)</sup>	574530 R		
Rubinetteria Bresciane Bonomi TURBO INOX GAS	M 15	570110	
	M 18	570120	
	M 22	570130	
	M 28	570140	
	M 35	570150	
	M 42 (PR-3S) <sup>3)</sup>	572706 R	
	M 54 (PR-3S) <sup>3)</sup>	572708 R	
	M 15 45° (PR-2B) <sup>3)</sup>	574522 R	
	M 18 45° (PR-2B) <sup>3)</sup>	574524 R	
	M 22 45° (PR-2B) <sup>3)</sup>	574526 R	
	M 28 45° (PR-2B) <sup>3)</sup>	574528 R	
	M 35 45° (PR-2B) <sup>3)</sup>	574530 R	
	Rubinetteria Bresciane Bonomi TURBO STEEL	M 15	570110
M 18		570120	
M 22		570130	
M 28		570140	
M 35		570150	
M 42 (PR-3S) <sup>3)</sup>		572706 R	
M 54 (PR-3S) <sup>3)</sup>		572708 R	
M 76.1 XL (PR-3S) <sup>3)7)</sup>		579101 R	
M 88.9 XL (PR-3S) <sup>3)7)</sup>		579102 R	
M 108.0 XL (PR-3S) <sup>3)7)</sup>		579103 R	
M 15 45° (PR-2B) <sup>3)</sup>		574522 R	
M 18 45° (PR-2B) <sup>3)</sup>		574524 R	
M 22 45° (PR-2B) <sup>3)</sup>		574526 R	
M 28 45° (PR-2B) <sup>3)</sup>	574528 R		
M 35 45° (PR-2B) <sup>3)</sup>	574530 R		
Rubinetteria Bresciane Bonomi TURBO PRESS	TH 14*	570455	
	TH 16*	570460	
	TH 18*	570465	
	TH 20*	570470	
	TH 26*	570475	
	TH 32	570480	
	TH 40	570485	
	TH 50 (S)	572400	
	TH 63 (S)	572405	
	Rubinetteria Bresciane Bonomi TURBO PRESS GAS	TH 16*	570460
		TH 20*	570470
		TH 26*	570475
		TH 32	570480
<b>S</b>			
Sa.Mi plastic	TH 14*	570455	
	TH 16*	570460	
	TH 18*	570465	
	TH 20*	570470	
	TH 26*	570475	
	TH 32	570480	
	TH 40	570485	
	TH 50 (S)	572400	
TH 63 (S)	572405		
Sa.Mi plastic Multistrato Gas	TH 16*	570460	
	TH 20*	570470	
	TH 26*	570475	
	TH 32	570480	
SANHA 3fit-Press Pb-free Serie 25000	B 16*	570850	
	B 20*	570860	
	B 26	570870	
	B 32	570880	
	F 16*	570717	
	F 20*	570727	
	F 26*	570730	
	F 32	570735	
	Fz 40	570742	
	Fz 50	570747	
	F 63 (S)	572385	
	F 16 45° (PR-2B) <sup>3)</sup>	574550 R	
	F 20 45° (PR-2B) <sup>3)</sup>	574552 R	
F 26 45° (PR-2B) <sup>3)</sup>	574554 R		
F 32 45° (PR-2B) <sup>3)</sup>	574556 R		
H 16*	570320		
H 20*	570350		
H 26*	570370		
H 32	570380		
H 40 (4G)	570390		
TH 16*	570460		
TH 20*	570470		
TH 26*	570475		
TH 32	570480		
TH 40	570485		
TH 50 (S)	572400		
TH 63 (S)	572405		
U 16*	570765		
U 20*	570775		
C 26*	570750		
U 32	570785		
U 40	570790		
U 50	570795		
U 63 (PR-3B) <sup>3)</sup>	572837 R		
U 63 (S)	572365		

System	Pressing contour	Art.-No.
SANHA 3fit-Press PPSU Serie 35000	B 16*	570850
	B 20*	570860
	B 26	570870
	B 32	570880
	F 16*	570717
	F 20*	570727
	F 26*	570730
	F 32	570735
	F 16 45° (PR-2B) <sup>3)</sup>	574550 R
	F 20 45° (PR-2B) <sup>3)</sup>	574552 R
	F 26 45° (PR-2B) <sup>3)</sup>	574554 R
	F 32 45° (PR-2B) <sup>3)</sup>	574556 R
	H 16*	570320
H 20*	570350	
H 26*	570370	
H 32	570380	
TH 16*	570460	
TH 20*	570470	
TH 26*	570475	
TH 32	570480	
TH 40	570485	
TH 50 (S)	572400	
TH 63 (S)	572405	
U 20*	570765	
C 26*	570750	
U 32	570785	
SANHA-NiroSan Gas Presssystem Serie 17000	SA 15	570935
	SA 18	570940
	SA 22	570945
	SA 28	570950
	SA 35	570955
	M 15	570110
	M 18	570120
	M 22	570130
	M 28	570140
	M 35	570150
	M 42 (PR-3S) <sup>3)</sup>	572706 R
	M 54 (PR-3S) <sup>3)</sup>	572708 R
	M 76.1 XL (PR-3S) <sup>3)7)</sup>	579101 R
M 88.9 XL (PR-3S) <sup>3)7)</sup>	579102 R	
M 108.0 XL (PR-3S) <sup>3)7)</sup>	579103 R	
M 15 45° (PR-2B) <sup>3)</sup>	574522 R	
M 18 45° (PR-2B) <sup>3)</sup>	574524 R	
M 22 45° (PR-2B) <sup>3)</sup>	574526 R	
M 28 45° (PR-2B) <sup>3)</sup>	574528 R	
M 35 45° (PR-2B) <sup>3)</sup>	574530 R	
V 15	570115	
V 18	570125	
V 22	570135	
V 28	570145	
V 35	570155	
V 42	570165	
V 54	570175	
V 15 45° (PR-2B) <sup>3)</sup>	574504 R	
V 18 45° (PR-2B) <sup>3)</sup>	574506 R	
V 22 45° (PR-2B) <sup>3)</sup>	574508 R	
V 28 45° (PR-2B) <sup>3)</sup>	574510 R	
V 35 45° (PR-2B) <sup>3)</sup>	574512 R	
SANHA-NiroSan Industry Presssystem Serie 18000	SA 15	570935
	SA 18	570940
	SA 22	570945
	SA 28	570950
	SA 35	570955
	M 15	570110
	M 18	570120
	M 22	570130
	M 28	570140
	M 35	570150
	M 42 (PR-3S) <sup>3)</sup>	572706 R
	M 54 (PR-3S) <sup>3)</sup>	572708 R
	XP 64.0 XL (PR-3S) <sup>3)7)</sup>	579100 R
M 76.1 XL (PR-3S) <sup>3)7)</sup>	579101 R	
M 88.9 XL (PR-3S) <sup>3)7)</sup>	579102 R	
M 108.0 XL (PR-3S) <sup>3)7)</sup>	579103 R	
M 15 45° (PR-2B) <sup>3)</sup>	574522 R	
M 18 45° (PR-2B) <sup>3)</sup>	574524 R	
M 22 45° (PR-2B) <sup>3)</sup>	574526 R	
M 28 45° (PR-2B) <sup>3)</sup>	574528 R	
M 35 45° (PR-2B) <sup>3)</sup>	574530 R	
V 15	570115	
V 18	570125	
V 22	570135	
V 28	570145	
V 35	570155	
V 42	570165	
V 54	570175	
V 15 45° (PR-2B) <sup>3)</sup>	574504 R	
V 18 45° (PR-2B) <sup>3)</sup>	574506 R	
V 22 45° (PR-2B) <sup>3)</sup>	574508 R	
V 28 45° (PR-2B) <sup>3)</sup>	574510 R	
V 35 45° (PR-2B) <sup>3)</sup>	574512 R	
SANHA-NiroSan- Presssystem Serie 9000	SA 15	570935
	SA 18	570940
	SA 22	570945
	SA 28	570950
	SA 35	570955
	M 15	570110
	M 18	570120
	M 22	570130
	M 28	570140
	M 35	570150
	M 42 (PR-3S) <sup>3)</sup>	572706 R
	M 54 (PR-3S) <sup>3)</sup>	572708 R
	XP 64.0 XL (PR-3S) <sup>3)7)</sup>	579100 R
M 76.1 XL (PR-3S) <sup>3)7)</sup>	579101 R	
M 88.9 XL (PR-3S) <sup>3)7)</sup>	579102 R	
M 108.0 XL (PR-3S) <sup>3)7)</sup>	579103 R	
M 15 45° (PR-2B) <sup>3)</sup>	574522 R	
M 18 45° (PR-2B) <sup>3)</sup>	574524 R	
M 22 45° (PR-2B) <sup>3)</sup>	574526 R	
M 28 45° (PR-2B) <sup>3)</sup>	574528 R	
M 35 45° (PR-2B) <sup>3)</sup>	574530 R	
V 15	570115	
V 18	570125	
V 22	570135	
V 28	570145	
V 35	570155	
V 42	570165	
V 54	570175	
V 15 45° (PR-2B) <sup>3)</sup>	574504 R	
V 18 45° (PR-2B) <sup>3)</sup>	574506 R	
V 22 45° (PR-2B) <sup>3)</sup>		

System	Pressing contour	Art.-No.
SANHA-NiroSan SF Presssystem Serie 19000 (silicone free)	SA 15	570935
	SA 18	570940
	SA 22	570945
	SA 28	570950
	SA 35	570955
	M 15	570110
	M 18	570120
	M 22	570130
	M 28	570140
	M 35	570150
	M 42 (PR-3S) <sup>3)</sup>	572706 R
	M 54 (PR-3S) <sup>3)</sup>	572708 R
	M 76,1 XL (PR-3S) <sup>3) 7)</sup>	579101 R
	M 88,9 XL (PR-3S) <sup>3) 7)</sup>	579102 R
	M 108,0 XL (PR-3S) <sup>3) 7)</sup>	579103 R
	M 15 45° (PR-2B) <sup>3)</sup>	574522 R
	M 18 45° (PR-2B) <sup>3)</sup>	574524 R
	M 22 45° (PR-2B) <sup>3)</sup>	574526 R
	M 28 45° (PR-2B) <sup>3)</sup>	574528 R
	M 35 45° (PR-2B) <sup>3)</sup>	574530 R
	V 15	570115
	V 18	570125
	V 22	570135
	V 28	570145
	V 35	570155
	V 42	570165
	V 54	570175
	V 15 45° (PR-2B) <sup>3)</sup>	574504 R
	V 18 45° (PR-2B) <sup>3)</sup>	574506 R
	V 22 45° (PR-2B) <sup>3)</sup>	574508 R
	V 28 45° (PR-2B) <sup>3)</sup>	574510 R
	V 35 45° (PR-2B) <sup>3)</sup>	574512 R
	SANHA NiroTherm Serie 91000	SA 15
SA 18		570940
SA 22		570945
SA 28		570950
SA 35		570955
M 15		570110
M 18		570120
M 22		570130
M 28		570140
M 35		570150
M 42 (PR-3S) <sup>3)</sup>		572706 R
M 54 (PR-3S) <sup>3)</sup>		572708 R
M 76,1 XL (PR-3S) <sup>3) 7)</sup>		579101 R
M 88,9 XL (PR-3S) <sup>3) 7)</sup>		579102 R
M 108,0 XL (PR-3S) <sup>3) 7)</sup>		579103 R
M 15 45° (PR-2B) <sup>3)</sup>		574522 R
M 18 45° (PR-2B) <sup>3)</sup>		574524 R
M 22 45° (PR-2B) <sup>3)</sup>		574526 R
M 28 45° (PR-2B) <sup>3)</sup>		574528 R
M 35 45° (PR-2B) <sup>3)</sup>		574530 R
V 15		570115
V 18		570125
V 22		570135
V 28		570145
V 35		570155
V 42		570165
V 54		570175
V 15 45° (PR-2B) <sup>3)</sup>		574504 R
V 18 45° (PR-2B) <sup>3)</sup>		574506 R
V 22 45° (PR-2B) <sup>3)</sup>		574508 R
V 28 45° (PR-2B) <sup>3)</sup>		574510 R
V 35 45° (PR-2B) <sup>3)</sup>		574512 R
SANHA NiroTherm Industry Serie 98000		SA 15
	SA 18	570940
	SA 22	570945
	SA 28	570950
	SA 35	570955
	M 15	570110
	M 18	570120
	M 22	570130
	M 28	570140
	M 35	570150
	M 42 (PR-3S) <sup>3)</sup>	572706 R
	M 54 (PR-3S) <sup>3)</sup>	572708 R
	M 76,1 XL (PR-3S) <sup>3) 7)</sup>	579101 R
	M 88,9 XL (PR-3S) <sup>3) 7)</sup>	579102 R
	M 108,0 XL (PR-3S) <sup>3) 7)</sup>	579103 R
	M 15 45° (PR-2B) <sup>3)</sup>	574522 R
	M 18 45° (PR-2B) <sup>3)</sup>	574524 R
	M 22 45° (PR-2B) <sup>3)</sup>	574526 R
	M 28 45° (PR-2B) <sup>3)</sup>	574528 R
	M 35 45° (PR-2B) <sup>3)</sup>	574530 R
	V 15	570115
	V 18	570125
	V 22	570135
	V 28	570145
	V 35	570155
	V 42	570165
	V 54	570175
	V 15 45° (PR-2B) <sup>3)</sup>	574504 R
	V 18 45° (PR-2B) <sup>3)</sup>	574506 R
	V 22 45° (PR-2B) <sup>3)</sup>	574508 R
	V 28 45° (PR-2B) <sup>3)</sup>	574510 R
	V 35 45° (PR-2B) <sup>3)</sup>	574512 R

System	Pressing contour	Art.-No.	
SANHA-Press	SA 12	570930	
Chrom Serie 16000	SA 15	570935	
	SA 18	570940	
	SA 22	570945	
	SA 28	570950	
	M 12	570100	
	M 15	570110	
	M 18	570120	
	M 22	570130	
	M 28	570140	
	M 12 45° (PR-2B) <sup>3)</sup>	574520 R	
	M 15 45° (PR-2B) <sup>3)</sup>	574522 R	
	M 18 45° (PR-2B) <sup>3)</sup>	574524 R	
	M 22 45° (PR-2B) <sup>3)</sup>	574526 R	
	M 28 45° (PR-2B) <sup>3)</sup>	574528 R	
	V 12	570107	
	V 15	570115	
	V 18	570125	
	V 22	570135	
	V 28	570145	
	V 12 45° (PR-2B) <sup>3)</sup>	574502 R	
	V 15 45° (PR-2B) <sup>3)</sup>	574504 R	
	V 18 45° (PR-2B) <sup>3)</sup>	574506 R	
	V 22 45° (PR-2B) <sup>3)</sup>	574508 R	
	V 28 45° (PR-2B) <sup>3)</sup>	574510 R	
	SANHA-Press	SA 12	570930
	GAS Pressfittings Serie 10000/ Serie 11000	SA 14	570932
		SA 15	570935
		SA 16	570937
		SA 18	570940
		SA 22	570945
		SA 28	570950
		SA 35	570955
		M 12	570100
M 15		570110	
M 18		570120	
M 22		570130	
M 28		570140	
M 35		570150	
M 42 (PR-3S) <sup>3)</sup>		572706 R	
M 54 (PR-3S) <sup>3)</sup>		572708 R	
M 12 45° (PR-2B) <sup>3)</sup>		574520 R	
M 15 45° (PR-2B) <sup>3)</sup>		574522 R	
M 18 45° (PR-2B) <sup>3)</sup>		574524 R	
M 22 45° (PR-2B) <sup>3)</sup>		574526 R	
M 28 45° (PR-2B) <sup>3)</sup>		574528 R	
M 35 45° (PR-2B) <sup>3)</sup>		574530 R	
V 12		570107	
V 14		570112	
VG 14		570132	
V 15		570115	
V 16		570117	
VG 16		570137	
V 18		570125	
V 22		570135	
V 28		570145	
V 35		570155	
V 42		570165	
V 54		570175	
V 12 45° (PR-2B) <sup>3)</sup>	574502 R		
VG 14 45° (PR-2B) <sup>3)</sup>	574536 R		
V 15 45° (PR-2B) <sup>3)</sup>	574504 R		
VG 16 45° (PR-2B) <sup>3)</sup>	574538 R		
V 18 45° (PR-2B) <sup>3)</sup>	574506 R		
V 22 45° (PR-2B) <sup>3)</sup>	574508 R		
V 28 45° (PR-2B) <sup>3)</sup>	574510 R		
V 35 45° (PR-2B) <sup>3)</sup>	574512 R		

System	Pressing contour	Art.-No.
SANHA-Press	SA 12	570930
Pressfittings Serie 6000	SA 14	570932
	SA 15	570935
	SA 16	570937
	SA 18	570940
	SA 22	570945
	SA 28	570950
	SA 35	570955
	M 12	570100
	M 15	570110
	M 18	570120
	M 22	570130
	M 28	570140
	M 35	570150
	M 42 (PR-3S) <sup>3)</sup>	572706 R
	M 54 (PR-3S) <sup>3)</sup>	572708 R
	XP 64,0 XL (PR-3S) <sup>3) 7)</sup>	579100 R
	XP 66,7 XL (PR-3S) <sup>3) 7)</sup>	579108 R
	M 66,7 XL (PR-3S) <sup>3) 7)</sup>	579107 R
	M 76,1 XL (PR-3S) <sup>3) 7)</sup>	579101 R
	M 88,9 XL (PR-3S) <sup>3) 7)</sup>	579102 R
	M 108,0 XL (PR-3S) <sup>3) 7)</sup>	579103 R
	M 12 45° (PR-2B) <sup>3)</sup>	574520 R
	M 15 45° (PR-2B) <sup>3)</sup>	574522 R
	M 18 45° (PR-2B) <sup>3)</sup>	574524 R
	M 22 45° (PR-2B) <sup>3)</sup>	574526 R
	M 28 45° (PR-2B) <sup>3)</sup>	574528 R
	M 35 45° (PR-2B) <sup>3)</sup>	574530 R
	V 12	570107
	V 14	570112
	VG 14	570132
	V 15	570115
	V 16	570117
	VG 16	570137
V 18	570125	
V 22	570135	
V 28	570145	
V 35	570155	
V 42	570165	
V 54	570175	
V 12 45° (PR-2B) <sup>3)</sup>	574502 R	
VG 14 45° (PR-2B) <sup>3)</sup>	574536 R	
V 15 45° (PR-2B) <sup>3)</sup>	574504 R	
VG 16 45° (PR-2B) <sup>3)</sup>	574538 R	
V 18 45° (PR-2B) <sup>3)</sup>	574506 R	
V 22 45° (PR-2B) <sup>3)</sup>	574508 R	
V 28 45° (PR-2B) <sup>3)</sup>	574510 R	
V 35 45° (PR-2B) <sup>3)</sup>	574512 R	
SANHA-Press	SA 12	570930
SOLAR Pressfittings Serie 12000/ Serie 13000	SA 15	570935
	SA 18	570940
	SA 22	570945
	SA 28	570950
	SA 35	570955
	M 12	570100
	M 15	570110
	M 18	570120
	M 22	570130
	M 28	570140
	M 35	570150
	M 42 (PR-3S) <sup>3)</sup>	572706 R
	M 54 (PR-3S) <sup>3)</sup>	572708 R
	XP 64,0 XL (PR-3S) <sup>3) 7)</sup>	579100 R
	XP 66,7 XL (PR-3S) <sup>3) 7)</sup>	579108 R
	M 66,7 XL (PR-3S) <sup>3) 7)</sup>	579107 R
	M 76,1 XL (PR-3S) <sup>3) 7)</sup>	579101 R
	M 88,9 XL (PR-3S) <sup>3) 7)</sup>	579102 R
	M 108,0 XL (PR-3S) <sup>3) 7)</sup>	579103 R
	M 12 45° (PR-2B) <sup>3)</sup>	574520 R
	M 15 45° (PR-2B) <sup>3)</sup>	574522 R
	M 18 45° (PR-2B) <sup>3)</sup>	574524 R
	M 22 45° (PR-2B) <sup>3)</sup>	574526 R
	M 28 45° (PR-2B) <sup>3)</sup>	574528 R
	M 35 45° (PR-2B) <sup>3)</sup>	574530 R
	V 12	570107
	V 15	570115
	V 18	570125
	V 22	570135
	V 28	570145
	V 35	570155
	V 42	570165
	V 54	570175
V 12 45° (PR-2B) <sup>3)</sup>	574502 R	
V 15 45° (PR-2B) <sup>3)</sup>	574504 R	
V 18 45° (PR-2B) <sup>3)</sup>	574506 R	
V 22 45° (PR-2B) <sup>3)</sup>	574508 R	
V 28 45° (PR-2B) <sup>3)</sup>	574510 R	
V 35 45° (PR-2B) <sup>3)</sup>	574512 R	

Pressfitting systems for gas installations may only be pressed with the pressing tongs/pressing rings which are highlighted in yellow in the table. Observe the national regulations.

\* These pressing tongs also fit in the ROLLER'S Easy-Press manual radial press. Observe the national regulations.

<sup>1)</sup> Only pressing tongs from designation "108" (1<sup>st</sup> quarter of 2008), "208" (2<sup>nd</sup> quarter of 2008) etc. can be used. The designation is stamped on every pressing jaw.

<sup>2)</sup> Making the press joint with manual radial presses is not permitted for this pressfitting system.

<sup>3)</sup> Adaptor tongs, see page 87, are necessary for driving the pressing rings (PR).

<sup>4)</sup> Press fittings made of red bronze (ProPress XL) must be pressed with pressing rings with pressing contour VUSR, fittings made of copper (ProPress XL-C) and stainless steel (ProPress XL-S) must be pressed with pressing rings with pressing contour VUSF.

<sup>5)</sup> For accommodating suitable pressing inserts.

<sup>6)</sup> Press fittings made of red bronze (Sanpress XL) must be pressed with pressing rings with pressing contour VR, press fittings made of copper (Profipress XL and Profipress G XL), carbon steel (Prestabo XL) and stainless steel (Sanpress Inox XL, Sanpress Inox G XL) must be pressed with pressing contour VF.

<sup>7)</sup> Driven by ROLLER'S Uni-Press XL ACC.

Suitability of the ROLLER'S pressing tools for pressfitting systems: Status 16.5.2018. The current status can be found on the Internet: [www.albert-roller.de](http://www.albert-roller.de) → Downloads → Product Catalogues, Brochures → ROLLER Catalogue. Pressing tongs/pressing rings for other press fitting systems on request.



# ROLLER'S pressing tongs / pressing rings

Accessory for ROLLER'S radial presses (except for ROLLER'S Multi-Press Mini ACC, Multi-Press Mini 22V ACC, Multi-Press Mini S 22V ACC) and other makes

System	Pressing contour	Art.-No.
SANHA PURAPRESS Serie 8000	SA 12	570930
	SA 14	570932
	SA 15	570935
	SA 16	570937
	SA 18	570940
	SA 22	570945
	SA 28	570950
	SA 35	570955
	M 12	570100
	M 15 <sup>9)</sup>	570110
	M 18 <sup>9)</sup>	570120
	M 22 <sup>9)</sup>	570130
	M 28 <sup>9)</sup>	570140
	M 35 <sup>9)</sup>	570150
	M 42 (PR-3S) <sup>3)</sup>	572706 R
	M 54 (PR-3S) <sup>3)</sup>	572708 R
	XP 64,0 XL (PR-3S) <sup>3)7)</sup>	579100 R
	XP 66,7 XL (PR-3S) <sup>3)7)</sup>	579108 R
	M 66,7 XL (PR-3S) <sup>3)7)</sup>	579107 R
	M 76,1 XL (PR-3S) <sup>3)7)</sup>	579101 R
	M 88,9 XL (PR-3S) <sup>3)7)</sup>	579102 R
	M 108,0 XL (PR-3S) <sup>3)7)</sup>	579103 R
	M 12 45° (PR-2B) <sup>3)</sup>	574520 R
	M 15 45° (PR-2B) <sup>3)</sup>	574522 R
	M 18 45° (PR-2B) <sup>3)</sup>	574524 R
	M 22 45° (PR-2B) <sup>3)</sup>	574526 R
	M 28 45° (PR-2B) <sup>3)</sup>	574528 R
	M 35 45° (PR-2B) <sup>3)</sup>	574530 R
	V 12	570107
	V 14	570112
	VG 14	570132
	V 15	570115
	V 16	570117
	VG 16	570137
	V 18	570125
	V 22	570135
	V 28	570145
	V 35	570155
	V 42	570165
	V 54	570175
V 12 45° (PR-2B) <sup>3)</sup>	574502 R	
VG 14 45° (PR-2B) <sup>3)</sup>	574536 R	
V 15 45° (PR-2B) <sup>3)</sup>	574504 R	
VG 16 45° (PR-2B) <sup>3)</sup>	574538 R	
V 18 45° (PR-2B) <sup>3)</sup>	574506 R	
V 22 45° (PR-2B) <sup>3)</sup>	574508 R	
V 28 45° (PR-2B) <sup>3)</sup>	574510 R	
V 35 45° (PR-2B) <sup>3)</sup>	574512 R	
SANHA-Therm Serie 24000	SA 12	570930
	SA 15	570935
	SA 18	570940
	SA 22	570945
	SA 28	570950
	SA 35	570955
	M 12	570100
	M 15	570110
	M 18	570120
	M 22	570130
	M 28	570140
	M 35	570150
	M 42 (PR-3S) <sup>3)</sup>	572706 R
	M 54 (PR-3S) <sup>3)</sup>	572708 R
	XP 66,7 XL (PR-3S) <sup>3)7)</sup>	579108 R
	M 66,7 XL (PR-3S) <sup>3)7)</sup>	579107 R
	M 76,1 XL (PR-3S) <sup>3)7)</sup>	579101 R
	M 88,9 XL (PR-3S) <sup>3)7)</sup>	579102 R
	M 108,0 XL (PR-3S) <sup>3)7)</sup>	579103 R
	M 12 45° (PR-2B) <sup>3)</sup>	574520 R
	M 15 45° (PR-2B) <sup>3)</sup>	574522 R
	M 18 45° (PR-2B) <sup>3)</sup>	574524 R
	M 22 45° (PR-2B) <sup>3)</sup>	574526 R
	M 28 45° (PR-2B) <sup>3)</sup>	574528 R
	M 35 45° (PR-2B) <sup>3)</sup>	574530 R
	V 12	570107
	V 15	570115
	V 18	570125
	V 22	570135
	V 28	570145
	V 35	570155
	V 42	570165
	V 54	570175
	V 12 45° (PR-2B) <sup>3)</sup>	574502 R
	V 15 45° (PR-2B) <sup>3)</sup>	574504 R
	V 18 45° (PR-2B) <sup>3)</sup>	574506 R
	V 22 45° (PR-2B) <sup>3)</sup>	574508 R
	V 28 45° (PR-2B) <sup>3)</sup>	574510 R
	V 35 45° (PR-2B) <sup>3)</sup>	574512 R
	SANHA-Therm Industry Serie 28000	SA 12
SA 15		570935
SA 18		570940
SA 22		570945
SA 28		570950
SA 35		570955
M 12		570100
M 15		570110
M 18		570120
M 22		570130
M 28		570140
M 35		570150
M 42 (PR-3S) <sup>3)</sup>		572706 R
M 54 (PR-3S) <sup>3)</sup>		572708 R
XP 66,7 XL (PR-3S) <sup>3)7)</sup>		579108 R
M 66,7 XL (PR-3S) <sup>3)7)</sup>		579107 R
M 76,1 XL (PR-3S) <sup>3)7)</sup>		579101 R
M 88,9 XL (PR-3S) <sup>3)7)</sup>		579102 R
M 108,0 XL (PR-3S) <sup>3)7)</sup>		579103 R
M 12 45° (PR-2B) <sup>3)</sup>		574520 R
M 15 45° (PR-2B) <sup>3)</sup>		574522 R
M 18 45° (PR-2B) <sup>3)</sup>		574524 R
M 22 45° (PR-2B) <sup>3)</sup>		574526 R
M 28 45° (PR-2B) <sup>3)</sup>		574528 R
M 35 45° (PR-2B) <sup>3)</sup>		574530 R
V 12		570107
V 15		570115
V 18		570125
V 22		570135
V 28		570145
V 35		570155
V 42		570165
V 54		570175
V 12 45° (PR-2B) <sup>3)</sup>		574502 R
V 15 45° (PR-2B) <sup>3)</sup>		574504 R
V 18 45° (PR-2B) <sup>3)</sup>		574506 R
V 22 45° (PR-2B) <sup>3)</sup>		574508 R
V 28 45° (PR-2B) <sup>3)</sup>		574510 R
V 35 45° (PR-2B) <sup>3)</sup>		574512 R
SANPRO THPRESS		TH 16*
	TH 20*	570470
	TH 26*	570475
	TH 32	570480

System	Pressing contour	Art.-No.		
SATEC SK ViTerm	TH 16*	570460		
	TH 18*	570465		
	TH 20*	570470		
	TH 26*	570475		
	TH 32	570480		
	U 40	570790		
	U 50	570795		
	U 63 (S)	572365		
	Schwer Fittings AQUApress	M 12	570100	
		M 15	570110	
		M 18	570120	
		M 22	570130	
		M 28	570140	
		M 35	570150	
		M 42 (4G)	570160	
		M 54 (4G)	570170	
		M 12 45° (PR-2B) <sup>3)</sup>	574520 R	
		M 15 45° (PR-2B) <sup>3)</sup>	574522 R	
	M 18 45° (PR-2B) <sup>3)</sup>	574524 R		
	M 22 45° (PR-2B) <sup>3)</sup>	574526 R		
	M 28 45° (PR-2B) <sup>3)</sup>	574528 R		
	M 35 45° (PR-2B) <sup>3)</sup>	574530 R		
	Seppelfricke VSH SudoPress C-Stahl	V 12	570107	
		V 15	570115	
		V 18	570125	
		V 22	570135	
		V 28	570145	
		V 35	570155	
		V 42	570165	
		V 54	570175	
		Seppelfricke VSH SudoPress Kupfer	V 15	570115
			V 18	570125
	V 22		570135	
	V 28		570145	
	V 35		570155	
	V 42		570165	
	V 54		570175	
	Seppelfricke VSH XPress Edelstahl		M 12	570100
			M 15	570110
			M 18 <sup>1)</sup>	570120
M 22		570130		
M 28 <sup>1)</sup>		570140		
M 35		570150		
M 42 (4G)		570160		
M 54 (4G)		570170		
M 42 (PR-3S) <sup>3)</sup>		572706 R		
M 54 (PR-3S) <sup>3)</sup>		572708 R		
Seppelfricke VSH XPress Kupfer	M 12	570100		
	M 15	570110		
	M 18 <sup>1)</sup>	570120		
	M 22	570130		
	M 28 <sup>1)</sup>	570140		
	M 35	570150		
	M 42 (PR-3S) <sup>3)</sup>	572706 R		
	M 54 (PR-3S) <sup>3)</sup>	572708 R		
	M 15 45° (PR-2B) <sup>3)</sup>	574522 R		
	M 18 45° (PR-2B) <sup>3)</sup>	574524 R		
M 22 45° (PR-2B) <sup>3)</sup>	574526 R			
M 28 45° (PR-2B) <sup>3)</sup>	574528 R			
M 35 45° (PR-2B) <sup>3)</sup>	574530 R			
Seppelfricke VSH XPress Kupfer Gas	M 12	570100		
	M 15	570110		
	M 18 <sup>1)</sup>	570120		
	M 22	570130		
	M 28 <sup>1)</sup>	570140		
	M 35	570150		
	M 42 (PR-3S) <sup>3)</sup>	572706 R		
	M 54 (PR-3S) <sup>3)</sup>	572708 R		
	M 12 45° (PR-2B) <sup>3)</sup>	574520 R		
	M 15 45° (PR-2B) <sup>3)</sup>	574522 R		
M 18 45° (PR-2B) <sup>3)</sup>	574524 R			
M 22 45° (PR-2B) <sup>3)</sup>	574526 R			
M 28 45° (PR-2B) <sup>3)</sup>	574528 R			
M 35 45° (PR-2B) <sup>3)</sup>	574530 R			
Seppelfricke VSH XPress Kupfer Gas	M 15	570110		
	M 18 <sup>1)</sup>	570120		
	M 22	570130		
	M 28 <sup>1)</sup>	570140		
	M 35	570150		
	M 42 (PR-3S) <sup>3)</sup>	572706 R		
	M 54 (PR-3S) <sup>3)</sup>	572708 R		
	M 12 45° (PR-2B) <sup>3)</sup>	574520 R		
	M 15 45° (PR-2B) <sup>3)</sup>	574522 R		
	M 18 45° (PR-2B) <sup>3)</sup>	574524 R		
M 22 45° (PR-2B) <sup>3)</sup>	574526 R			
M 28 45° (PR-2B) <sup>3)</sup>	574528 R			
M 35 45° (PR-2B) <sup>3)</sup>	574530 R			
SESTA SESTA GAS	TH 14*	570455		
	TH 16*	570460		
	TH 20*	570470		
	TH 26*	570475		
	TH 32	570480		

System	Pressing contour	Art.-No.		
SESTA Sistema multistrato	H 16*	570320		
	H 20*	570350		
	TH 14*	570455		
	TH 16*	570460		
	TH 18*	570465		
	TH 20*	570470		
	TH 26*	570475		
	TH 32	570480		
	TH 40	570485		
	TH 50 (S)	572400		
SLOWARM PEX-THERM	TH 63 (S)	572405		
	U 16*	570765		
	U 20*	570775		
	H 26*	570370		
	U 32	570785		
	H 16*	570320		
	H 20*	570350		
	H 26*	570370		
	H 32	570380		
	SOMATHERM MULTIX	H 16*	570320	
H 20*		570350		
H 26*		570370		
H 32		570380		
TH 16*		570460		
TH 20*		570470		
TH 26*		570475		
TH 32		570480		
U 16*		570765		
U 20*		570775		
SOMATHERM SomaPRESS	U 32	570785		
	H 12*	570300		
	H 16*	570320		
	H 20*	570350		
	H 25*	570360		
	RFz 12*	571320		
	RFz 16*	571325		
	RFz 20*	571330		
	RFz 25	571335		
	U 16*	570765		
STANDARD HIDRAULICA MultiStandard	U 20*	570775		
	U 25*	570780		
	U 32	570785		
	U 40	570790		
	U 50	570795		
	U 63 (PR-3B) <sup>3)</sup>	572837 R		
	U 63 (S)	572365		
	STELBI Polikraft	H 16*	570320	
		H 20*	570350	
		H 26*	570370	
TH 16*		570460		
TH 20*		570470		
TH 26*		570475		
TH 32		570480		
TH 40		570485		
TH 50 (S)		572400		
TH 63 (S)		572405		
STELBI Stelgas	U 16*	570765		
	U 20*	570775		
	TH 16*	570460		
	TH 20*	570470		
	TH 26*	570475		
	STPC STPEX	TH 16*	570460	
		TH 20*	570470	
		TH 26*	570475	
		System Ewoprex	TH 26*	570475
			H 16*	570320
H 20*			570350	
H 26*			570370	
H 32			570380	
TH 16*			570460	
TH 20*			570470	
TH 26*	570475			
TH 32	570480			
U 16*	570765			
System WELCO-Gas	U 20*	570775		
	U 32	570785		
	H 16 A*	570620		
	H 20 A*	570650		
	H 26 A*	570670		
	H 32 A	570680		
	System WELCO-Flex	H 40 A (4G)	570695	
		H 14 A*	570610	
		H 16 A*	570620	
		H 17 A*	570630	
H 20 A*		570650		
H 26 A*		570670		
H 32 A		570680		
H 40 A (4G)		570695		
System WELCO-Teck		H 16 A*	570620	
		H 20 A*	570650	
	H 26 A*	570670		
	TDM BRASS Serie 1600	H 16*	570320	
		H 18*	570340	
		H 20*	570350	
		H 25*	570360	
		H 26*	570370	
		H 32	570380	
		TH 16*	570460	
TH 18*		570465		
TH 20*		570470		
TH 25*		570495		
TH 26*	570475			
THL 32	570487			
TH 40	570485			
TH 50 (S)	572400			
TH 63 (S)	572405			
U 16*	570765			
U 18*	570770			
U 20*	570775			
U 25*	570780			
C 26*	570750			
U 32	570785			

**T**

System	Pressing contour	Art.-No.	
TDM BRASS Serie 1700 gas	TH 16*	570460	
	TH 20*	570470	
	TH 26*	570475	
	THL 32	570487	
TermoConcept TC-PRESS	Basic E01 <sup>9)</sup>	571855	
THERMOLUTZ	H 14*	570310	
	H 16*	570320	
	TH 20*	570470	
TE-SA TE-SA press serie 800	TH 14*	570455	
	TH 16*	570460	
	TH 18*	570465	
	TH 20*	570470	
	TH 26*	570475	
	TH 40	570485	
	TH 50 (S)	572400	
TIEMME AL-COBRAPLEX Serie 1650	TH 14*	570455	
	TH 16*	570460	
	TH 18*	570465	
TIEMME Serie 1700 PE-X a pressare	TH 20*	570470	
	TH 25*	570495	
	TH 26*	570475	
	THL 32	570487	
	TH 40	570485	
	TH 50 (S)	572400	
	TH 63 (S)	572405	
	THz 75 (PR-3B) <sup>3)</sup>	572829 R	
	RFz 12*	571320	
	RFz 16*	571325	
RFz 20*	571330		
RFz 25	571335		
RFz 32	571340		
TIEMME TIEMME Gas	TH 16*	570460	
	TH 20*	570470	
	TH 26*	570475	
	THL 32	570487	
TIGRE ALPEX GAS	TH 16*	570460	
	TH 20*	570470	
	TH 26*	570475	
TKM Systemtechnik	TH 32	570480	
	TH 40	570485	
	TH 50 (S)	572400	
	TH 63 (S)	572405	
	U 16*	570765	
	U 18*	570770	
	U 20*	570775	
TRA MULTITRAPRESS	U 25*	570780	
	U 32	570785	
	U 40	570790	
	U 50	570795	
	U 63 (PR-3B) <sup>3)</sup>	572837 R	
	U 63 (S)	572365	
	TRA TRAPRESS	H 12*	570300
		H 16*	570320
		H 20*	570350
		H 25*	570360
H 32		570380	
RFz 12*		571320	
RFz 16*		571325	
RFz 20*		571330	
RFz 25		571335	
RFz 32		571340	
TWEETOP	U 16*	570765	
	U 20*	570775	
	U 25*	570780	
	U 32	570785	
	U 40	570790	
	U 50	570795	
	U 63 (PR-3B) <sup>3)</sup>	572837 R	
U 63 (S)	572365		
U 75 (PR-3B) <sup>3)</sup>	572828 R		
<b>U</b>			
UNICAL AG MAX-MULTIPEX	U 16*	570765	
	U 20*	570775	
	H 26*	570370	
	C 26*	570750	
	U 32	570785	
UNIDELTA DeltAll	TH 16*	570460	
	TH 20*	570470	
	TH 26*	570475	
	TH 32	570480	
	TH 40	570485	
	TH 50 (S)	572400	
	TH 63 (S)	572405	
	H 16*	570320	
	H 20*	570350	
	H 26*	570370	
	H 32	570380	
	H 40 (4G)	570390	
	U 16*	570765	
	U 20*	570775	
	U 32	570785	
	U 40	570790	
	U 50	570795	
U 63 (S)	572365		

System	Pressing contour	Art.-No.
UNIDELTA DeltAll GAS	TH 16*	570460
	TH 20*	570470
	TH 26*	570475
	TH 32	570480
	H 16*	570320
	H 20*	570350
	H 26*	570370
	H 32	570380
	U 16*	570765
	U 20*	570775
	U 32	570785
	Uponor MLC	UP 14*
UP 16*		572632
UP 18*		572634
UP 20*		572636
UP 25		572638
UP 32		572640
U 40		570790
U 50		570795
U 63 (PR-3B) <sup>3)</sup>		572837 R
U 63 (S)		572365
U 75 (PR-3B) <sup>3)</sup>		572828 R
Uponor MLC-D		UP 16*
	UP 20*	572636
	UP 25	572638
	UP 32	572640
	U 50	570795
Uponor MLC-G <sup>2)</sup>	UP 20*	572636
	UP 25	572638
	UP 32	572640
	U 50	570795
	U 63 (PR-3B) <sup>3)</sup>	572837 R
Uponor Uni Pipe PLUS	UP 16*	572632
	UP 20*	572636
	UP 25	572638
	UP 32	572640
	U 50	570795
<b>V</b>		
Valsir Bravopress	B 16*	570850
	B 20*	570860
	B 26	570870
	B 32	570880
	F 16*	570715
	F 20*	570725
	F 26*	570730
	F 16 45° (PR-2B) <sup>3)</sup>	574550 R
	F 20 45° (PR-2B) <sup>3)</sup>	574552 R
	F 26 45° (PR-2B) <sup>3)</sup>	574554 R
	H 16*	570320
	H 20*	570350
	H 26*	570370
	H 32	570380
	H 32 V	570685
	TH 16*	570460
	TH 20*	570470
	TH 26*	570475
	TH 32	570480
	TH 40	570485
TH 50 (S)	572400	
TH 63 (S)	572405	
U 16*	570765	
U 20*	570775	
C 26*	570750	
U 32	570785	
Valsir PEXAL	H 14*	570310
	H 16*	570320
	H 20*	570350
	H 26*	570370
	H 32	570380
	H 32 V	570685
	TH 16*	570460
	TH 20*	570470
	TH 26*	570475
	TH 32	570480
	TH 40	570485
	TH 50 (S)	572400
	TH 63 (S)	572405
	U 16*	570765
	U 20*	570775
	C 26*	570750
	U 32	570785
U 40	570790	
U 50	570795	
U 63 (PR-3B) <sup>3)</sup>	572837 R	
U 63 (S)	572365	
U 75 (PR-3B) <sup>3)</sup>	572828 R	
Van Marcke Log. Tubipex	TH 16*	570460
	TH 17*	570462
	TH 20*	570470
	TH 26*	570475
	TH 32	570480
	TH 40	570485
	TH 50 (S)	572400
	TH 63 (S)	572405
	THz 75 (PR-3B) <sup>3)</sup>	572829 R

System	Pressing contour	Art.-No.	
Van Marcke Log. Tubipress	M 12	570100	
	M 15	570110	
	M 18	570120	
	M 22	570130	
	M 28	570140	
	M 35	570150	
	M 42 (4G)	570160	
	M 54 (4G)	570170	
	M 42 (PR-3S) <sup>3)</sup>	572706 R	
	M 54 (PR-3S) <sup>3)</sup>	572708 R	
	M 76.1 XL (PR-3S) <sup>3) 7)</sup>	579101 R	
	M 88.9 XL (PR-3S) <sup>3) 7)</sup>	579102 R	
M 12 45° (PR-2B) <sup>3)</sup>	574520 R		
M 15 45° (PR-2B) <sup>3)</sup>	574522 R		
M 18 45° (PR-2B) <sup>3)</sup>	574524 R		
M 22 45° (PR-2B) <sup>3)</sup>	574526 R		
M 28 45° (PR-2B) <sup>3)</sup>	574528 R		
M 35 45° (PR-2B) <sup>3)</sup>	574530 R		
Variotherm System TH	TH 11,6*	570482	
	TH 16*	570460	
	TH 20*	570470	
Viega Fonterra	VX 12*	571630	
	VP 14/15*	570905	
	VP 16/17*	570910	
	VP 20*	570915	
	VP 25	570920	
Viega MegaPress	VMP 3/4" (OD 17,2 mm)	571740	
	VMP 1/2" (OD 21,3 mm)	571762	
	VMPz 3/4" (OD 26,9 mm)	571764	
	VMPz 1" (OD 33,7 mm)	571767	
	VMPz 1 1/4" (OD 37,5 mm)	572413	
	VMPz 1 1/2" (PR-3B) <sup>3)</sup> (OD 42,4 mm)	572844 R	
Viega Pexfit	VMPz 2" (PR-3B) <sup>3)</sup> (OD 48,3 mm)	572845 R	
	VMPz 2" (PR-3B) <sup>3)</sup> (OD 60,3 mm)	572845 R	
Viega Pexfit G	VX 16*	571635	
	VX 20*	571640	
	VX 25*	571645	
	V 12	570107	
Viega Prestabo	V 15	570115	
	V 18	570125	
	V 22	570135	
	V 28	570145	
	V 35	570155	
	V 42	570165	
	V 54	570175	
	Vfz 64,0 (PR-3B) <sup>3) 6)</sup>	572815 R	
	Vfz 76,1 (PR-3B) <sup>3) 6)</sup>	572816 R	
	Vfz 88,9 (PR-3B) <sup>3) 6)</sup>	572817 R	
	Vfz 108,0 (PR-3B) <sup>3) 6)</sup>	572818 R	
	V 12 45° (PR-2B) <sup>3)</sup>	574502 R	
	V 15 45° (PR-2B) <sup>3)</sup>	574504 R	
	V 18 45° (PR-2B) <sup>3)</sup>	574506 R	
	V 22 45° (PR-2B) <sup>3)</sup>	574508 R	
	V 28 45° (PR-2B) <sup>3)</sup>	574510 R	
	V 35 45° (PR-2B) <sup>3)</sup>	574512 R	
	Viega Profipress	V 12	570107
		VG 14	570132
		V 15	570115
VG 16		570137	
V 18		570125	
V 22		570135	
V 28		570145	
V 35		570155	
V 42		570165	
V 54		570175	
Vfz 64,0 (PR-3B) <sup>3) 6)</sup>		572815 R	
Vfz 76,1 (PR-3B) <sup>3) 6)</sup>		572816 R	
Vfz 88,9 (PR-3B) <sup>3) 6)</sup>		572817 R	
Vfz 108,0 (PR-3B) <sup>3) 6)</sup>		572818 R	
V 12 45° (PR-2B) <sup>3)</sup>		574502 R	
VG 14 45° (PR-2B) <sup>3)</sup>		574536 R	
V 15 45° (PR-2B) <sup>3)</sup>		574504 R	
VG 16 45° (PR-2B) <sup>3)</sup>	574538 R		
V 18 45° (PR-2B) <sup>3)</sup>	574506 R		
V 22 45° (PR-2B) <sup>3)</sup>	574508 R		
V 28 45° (PR-2B) <sup>3)</sup>	574510 R		
V 35 45° (PR-2B) <sup>3)</sup>	574512 R		
Viega Profipress G	V 12	570107	
	V 15	570115	
	V 18	570125	
	V 22	570135	
	V 28	570145	
	V 35	570155	
	V 42	570165	
	V 54	570175	
	Vfz 64,0 (PR-3B) <sup>3) 6)</sup>	572815 R	
	V 12 45° (PR-2B) <sup>3)</sup>	574502 R	
	V 15 45° (PR-2B) <sup>3)</sup>	574504 R	
	V 18 45° (PR-2B) <sup>3)</sup>	574506 R	
	V 22 45° (PR-2B) <sup>3)</sup>	574508 R	
	V 28 45° (PR-2B) <sup>3)</sup>	574510 R	
	V 35 45° (PR-2B) <sup>3)</sup>	574512 R	

Pressfitting systems for gas installations may only be pressed with the pressing tongs/pressing rings which are highlighted in yellow in the table. Observe the national regulations.

\* These pressing tongs also fit in the ROLLER'S Easy-Press manual radial press. Observe the national regulations.

<sup>1)</sup> Only pressing tongs from designation "108" (1<sup>st</sup> quarter of 2008), "208" (2<sup>nd</sup> quarter of 2008) etc. can be used. The designation is stamped on every pressing jaw.

<sup>2)</sup> Making the press joint with manual radial presses is not permitted for this pressfitting system.

<sup>3)</sup> Adaptor tongs, see page 87, are necessary for driving the pressing rings (PR).

<sup>4)</sup> Press fittings made of red bronze (ProPress XL) must be pressed with pressing rings with pressing contour VUSR, fittings made of copper (ProPress XL-C) and stainless steel (ProPress XL-S) must be pressed with pressing rings with pressing contour VUSF.

<sup>5)</sup> For accommodating suitable pressing inserts.

<sup>6)</sup> Press fittings made of red bronze (Sanpress XL) must be pressed with pressing rings with pressing contour VR, press fittings made of copper (Profipress XL and Profipress G XL), carbon steel (Prestabo XL) and stainless steel (Sanpress Inox XL, Sanpress Inox G XL) must be pressed with pressing contour VF.

<sup>7)</sup> Driven by ROLLER'S Uni-Press XL ACC.

Suitability of the ROLLER'S pressing tools for pressfitting systems: Status 16.5.2018. The current status can be found on the Internet: [www.albert-roller.de](http://www.albert-roller.de) → Downloads → Product Catalogues, Brochures → ROLLER Catalogue. Pressing tongs/pressing rings for other press fitting systems on request.

# ROLLER'S pressing tongs / pressing rings

Accessory for ROLLER'S radial presses (except for ROLLER'S Multi-Press Mini ACC, Multi-Press Mini 22 V ACC, Multi-Press Mini S 22 V ACC) and other makes

System	Pressing contour	Art.-No.	
Viega Profipress S	V 12	570107	
	V 15	570115	
	V 18	570125	
	V 22	570135	
	V 28	570145	
	V 35	570155	
	V 12 45° (PR-2B) <sup>3)</sup>	574502 R	
	V 15 45° (PR-2B) <sup>3)</sup>	574504 R	
	V 18 45° (PR-2B) <sup>3)</sup>	574506 R	
	V 22 45° (PR-2B) <sup>3)</sup>	574508 R	
	V 28 45° (PR-2B) <sup>3)</sup>	574510 R	
	V 35 45° (PR-2B) <sup>3)</sup>	574512 R	
	Viega Profipress Therm	V 12	570107
		V 15	570115
V 18		570125	
V 22		570135	
V 12 45° (PR-2B) <sup>3)</sup>		574502 R	
Viega ProPress System USA	VUS ½" (OD 15,9 mm)	571770	
	VUS ¾" (OD 22,2 mm)	571775	
	VUS 1" (OD 28,6 mm)	571780	
	VUS 1¼" (OD 34,9 mm)	571785	
	VUS 1½" (OD 41,3 mm)	571790	
XL-C/XL-S	VUSFz 2½" (PR-3B) <sup>3) 6)</sup>	572819 R	
	(OD 66,7 mm)		
	VUSFz 3" (PR-3B) <sup>3) 6)</sup>	572820 R	
XL-C/XL-S	(OD 79,4 mm)		
	VUSFz 4" (PR-3B) <sup>3) 6)</sup>	572821 R	
XL-C/XL-S	(OD 104,8 mm)		
	Viega Propress WATER System AUS	VAU 15 (OD 12,7 mm)	572687
VAU 20 (OD 19,1 mm)		572689	
VAU 25 (OD 25,4 mm)		572691	
VAU 32 (OD 31,8 mm)		572693	
VAU 40 (OD 38,1 mm)		572695	
VAU 50 (OD 50,8 mm)		572697	
Viega PropressG GAS System AUS		VAU 15 (OD 12,7 mm)	572687
	VAU 20 (OD 19,1 mm)	572689	
	VAU 25 (OD 25,4 mm)	572691	
	VAU 32 (OD 31,8 mm)	572693	
	VAU 40 (OD 38,1 mm)	572695	
	VAU 50 (OD 50,8 mm)	572697	
	Viega Raxinox	VRX 16	571750
VRX 20		571752	
Viega Raxofix		VRX 16	571750
	VRX 20	571752	
	VRX 25	571754	
	VRX 32	571756	
	VRX 40	571758	
	VRX 50	571760	
	VRX 63	571797	
Viega Sanfix <sup>2)</sup>	VP 16/17*	570910	
	VP 20*	570915	
	VP 25*	570920	
	VP 32	570925	
	Viega Sanpress	V 12	570107
V 15		570115	
V 18		570125	
V 22		570135	
V 28		570145	
V 35		570155	
V 42		570165	
V 54		570175	
VR 76,1 (PR-3B) <sup>3) 6)</sup>		572822 R	
VR 88,9 (PR-3B) <sup>3) 6)</sup>		572823 R	
VR 108,0 (PR-3B) <sup>3) 6)</sup>		572824 R	
V 12 45° (PR-2B) <sup>3)</sup>		574502 R	
V 15 45° (PR-2B) <sup>3)</sup>		574504 R	
V 18 45° (PR-2B) <sup>3)</sup>		574506 R	
V 22 45° (PR-2B) <sup>3)</sup>		574508 R	
V 28 45° (PR-2B) <sup>3)</sup>		574510 R	
V 35 45° (PR-2B) <sup>3)</sup>		574512 R	
Viega Sanpress Inox	V 15	570115	
	V 18	570125	
	V 22	570135	
	V 28	570145	
	V 35	570155	
	V 42	570165	
	V 54	570175	
	Vfz 64,0 (PR-3B) <sup>3) 6)</sup>	572815 R	
	Vfz 76,1 (PR-3B) <sup>3) 6)</sup>	572816 R	
	Vfz 88,9 (PR-3B) <sup>3) 6)</sup>	572817 R	
	Vfz 108,0 (PR-3B) <sup>3) 6)</sup>	572818 R	
	V 15 45° (PR-2B) <sup>3)</sup>	574504 R	
	V 18 45° (PR-2B) <sup>3)</sup>	574506 R	
	V 22 45° (PR-2B) <sup>3)</sup>	574508 R	
	V 28 45° (PR-2B) <sup>3)</sup>	574510 R	
	V 35 45° (PR-2B) <sup>3)</sup>	574512 R	
	Viega Sanpress Inox G	V 15	570115
V 18		570125	
V 22		570135	
V 28		570145	
V 35		570155	
V 42		570165	
V 54		570175	
Vfz 64,0 (PR-3B) <sup>3) 6)</sup>		572815 R	
Vfz 76,1 (PR-3B) <sup>3) 6)</sup>		572816 R	
Vfz 88,9 (PR-3B) <sup>3) 6)</sup>		572817 R	
Vfz 108,0 (PR-3B) <sup>3) 6)</sup>		572818 R	
V 15 45° (PR-2B) <sup>3)</sup>		574504 R	
V 18 45° (PR-2B) <sup>3)</sup>		574506 R	
V 22 45° (PR-2B) <sup>3)</sup>		574508 R	
V 28 45° (PR-2B) <sup>3)</sup>		574510 R	
V 35 45° (PR-2B) <sup>3)</sup>		574512 R	
Viessmann		TH 14*	570455
	TH 16*	570460	
	TH 20*	570470	
	TH 26*	570475	
	TH 32	570480	
	TH 40	570485	
	VINSAR PEX-AL-PEX	TH 16*	570460
TH 20*		570470	
TH 26*		570475	
TH 32		570480	

System	Pressing contour	Art.-No.	
VSH MultiPress	U 14*	570760	
	U 16*	570765	
	U 20*	570775	
	U 25*	570780	
	U 32	570785	
	U 40	570790	
	TH 14*	570455	
	TH 16*	570460	
	TH 20*	570470	
	TH 25*	570495	
	TH 26*	570475	
	TH 32	570480	
	TH 40	570485	
	TH 50 (S)	572400	
TH 63 (S)	572405		
VSH SudoPress Carbon	V 12	570107	
	V 15	570115	
	V 18	570125	
	V 22	570135	
	V 28	570145	
	V 35	570155	
	V 42	570165	
	V 54	570175	
	VSH SudoPress Copper	V 12	570107
		V 15	570115
V 18		570125	
V 22		570135	
V 28		570145	
V 35		570155	
V 42		570165	
V 54		570175	
VSH SudoPress Copper Gas		V 12	570107
		V 15	570115
	V 18	570125	
	V 22	570135	
	V 28	570145	
	V 35	570155	
	V 42	570165	
	V 54	570175	
	VSH SudoPress Stainless	V 15	570115
		V 18	570125
V 22		570135	
V 28		570145	
V 35		570155	
V 42		570165	
V 54		570175	
VSH XPress Carbon		M 12	570100
		M 15	570110
		M 18 <sup>1)</sup>	570120
	M 22	570130	
	M 28 <sup>1)</sup>	570140	
	M 35	570150	
	M 42 (4G)	570160	
	M 54 (4G)	570170	
	M 42 (PR-3S) <sup>3)</sup>	572706 R	
	M 54 (PR-3S) <sup>3)</sup>	572708 R	
	XP 66,7 XL (PR-3S) <sup>3) 7)</sup>	579108 R	
	M 76,1 XL (PR-3S) <sup>3) 7)</sup>	579101 R	
	M 88,9 XL (PR-3S) <sup>3) 7)</sup>	579102 R	
	M 108,0 XL (PR-3S) <sup>3) 7)</sup>	579103 R	
	M 12 45° (PR-2B) <sup>3)</sup>	574520 R	
	M 15 45° (PR-2B) <sup>3)</sup>	574522 R	
	M 18 45° (PR-2B) <sup>3)</sup>	574524 R	
M 22 45° (PR-2B) <sup>3)</sup>	574526 R		
M 28 45° (PR-2B) <sup>3)</sup>	574528 R		
M 35 45° (PR-2B) <sup>3)</sup>	574530 R		
VSH XPress Copper	M 12	570100	
	M 15	570110	
	M 18 <sup>1)</sup>	570120	
	M 22	570130	
	M 28 <sup>1)</sup>	570140	
	M 35	570150	
	M 42 (PR-3S) <sup>3)</sup>	572706 R	
	M 54 (PR-3S) <sup>3)</sup>	572708 R	
	XP 64,0 XL (PR-3S) <sup>3) 7)</sup>	579100 R	
	XP 66,7 XL (PR-3S) <sup>3) 7)</sup>	579108 R	
	M 76,1 XL (PR-3S) <sup>3) 7)</sup>	579101 R	
	M 88,9 XL (PR-3S) <sup>3) 7)</sup>	579102 R	
	XP 108,0 XL (PR-3S) <sup>3) 7)</sup>	579109 R	
	M 12 45° (PR-2B) <sup>3)</sup>	574520 R	
	M 15 45° (PR-2B) <sup>3)</sup>	574522 R	
	M 18 45° (PR-2B) <sup>3)</sup>	574524 R	
	M 22 45° (PR-2B) <sup>3)</sup>	574526 R	
M 28 45° (PR-2B) <sup>3)</sup>	574528 R		
M 35 45° (PR-2B) <sup>3)</sup>	574530 R		
VSH XPress Stainless	M 15	570110	
	M 18 <sup>1)</sup>	570120	
	M 22	570130	
	M 28 <sup>1)</sup>	570140	
	M 35	570150	
	M 42 (4G)	570160	
	M 54 (4G)	570170	
	M 42 (PR-3S) <sup>3)</sup>	572706 R	
	M 54 (PR-3S) <sup>3)</sup>	572708 R	
	XP 64,0 XL (PR-3S) <sup>3) 7)</sup>	579100 R	
	XP 66,7 XL (PR-3S) <sup>3) 7)</sup>	579108 R	
	M 76,1 XL (PR-3S) <sup>3) 7)</sup>	579101 R	
	M 88,9 XL (PR-3S) <sup>3) 7)</sup>	579102 R	
	M 108,0 XL (PR-3S) <sup>3) 7)</sup>	579103 R	
	M 12 45° (PR-2B) <sup>3)</sup>	574520 R	
	M 15 45° (PR-2B) <sup>3)</sup>	574522 R	
	M 18 45° (PR-2B) <sup>3)</sup>	574524 R	
M 22 45° (PR-2B) <sup>3)</sup>	574526 R		
M 28 45° (PR-2B) <sup>3)</sup>	574528 R		
M 35 45° (PR-2B) <sup>3)</sup>	574530 R		
Walter Meier Metalplast	U 16*	570765	
	U 18*	570770	
	U 20*	570775	
	U 25*	570780	
	U 32	570785	
	U 40	570790	
	U 50	570795	
	U 63 (PR-3B) <sup>3)</sup>	572837 R	
	U 63 (S)	572365	
	U 75 (PR-3B) <sup>3)</sup>	572828 R	
	Watts MTR Art press	TH 16*	570460
		TH 20*	570470
		TH 26*	570475
		TH 32	570480
		WATTS RADIANT Watts WaterPEX	US ¾"
	US ½"		571455
	US ¾"		571460
US 1"	571465		
US 1 ½"	571470		
US 1 ½"	571475		

System	Pressing contour	Art.-No.
WATTS	US ¾"	571450
	US ½"	571455
	US ¾"	571460
	US 1"	571465
	US 1 ½"	571470
RADIANT	US 1 ½"	571475
	U 16 (¾")	570765
	U 20 (¾")	570775
Watts	U 25 (¾")	570780
	U 32 (1")	570785
RadiantPEX-AL	U 14*	570760
	U 16*	570765
Wavin Tigris K1	U 20*	570775
	U 25*	570780
	U 32	570785
	U 40	570790
	U 50	570795
Wavin Tigris M1	U 14*	570760
	U 16*	570765
	U 20*	570775
	U 25*	570780
	U 32	570785
WeeConPress Alu	M 12	570100
	M 15	570110
	M 18	570120
	M 22	570130
	M 28	570140
	M 35	570150
	M 42 (4G)	570160
	M 54 (4G)	570170
	M 42 (PR-3S) <sup>3)</sup>	572706 R
	M 54 (PR-3S) <sup>3)</sup>	572708 R
WeeConPress C-Stahl	M 12 45° (PR-2B) <sup>3)</sup>	574520 R
	M 15 45° (PR-2B) <sup>3)</sup>	574522 R
	M 18 45° (PR-2B) <sup>3)</sup>	574524 R
	M 22 45° (PR-2B) <sup>3)</sup>	574526 R
	M 28 45° (PR-2B) <sup>3)</sup>	574528 R
	M 35 45° (PR-2B) <sup>3)</sup>	574530 R
	M 12	570100
	M 15	570110
	M 18	570120
	M 22	570130
	M 28	570140
	M 35	570150
	M 42 (4G)	570160
	M 54 (4G)	570170
	M 42 (PR-3S) <sup>3)</sup>	572706 R
	M 54 (PR-3S) <sup>3)</sup>	572708 R
	M 12 45° (PR-2B) <sup>3)</sup>	574520 R
M 15 45° (PR-2B) <sup>3)</sup>	574522 R	
M 18 45° (PR-2B) <sup>3)</sup>	574524 R	
M 22 45° (PR-2B) <sup>3)</sup>	574526 R	
M 28 45° (PR-2B) <sup>3)</sup>	574528 R	
M 35 45° (PR-2B) <sup>3)</sup>	574530 R	
WeeConPress Inox	M 12	570100
	M 15	570110
	M 18	570120
	M 22	570130
	M 28	570140
	M 35	570150
	M 42 (4G)	570160
	M 54 (4G)	570170
	M 42 (PR-3S) <sup>3)</sup>	572706 R
	M 54 (PR-3S) <sup>3)</sup>	572708 R
	M 12 45° (PR-2B) <sup>3)</sup>	574520 R
	M 15 45° (PR-2B) <sup>3)</sup>	574522 R
	M 18 45° (PR-2B) <sup>3)</sup>	574524 R
	M 22 45° (PR-2B) <sup>3)</sup>	574526 R
	M 28 45° (PR-2B) <sup>3)</sup>	574528 R
	M 35 45° (PR-2B) <sup>3)</sup>	574530 R
	WeeConPress Kupfer	M 12
M 15		570110
M 18		570120
M 22		570130
M 28		570140
M 35		570150
M 42 (4G)		570160
M 54 (4G)		570170
M 42 (PR-3S) <sup>3)</sup>		572706 R
M 54 (PR-3S) <sup>3)</sup>		572708 R
M 12 45° (PR-2B) <sup>3)</sup>		574520 R
M 15 45° (PR-2B) <sup>3)</sup>		574522 R
M 18 45° (PR-2B) <sup>3)</sup>		574524 R
M 22 45° (PR-2B) <sup>3)</sup>		574526 R
M 28 45° (PR-2B) <sup>3)</sup>		574528 R
M 35 45° (PR-2B) <sup>3)</sup>		574530 R
WeeConFlex MVR		H 16*
	H 20*	570350
	H 26*	570370
	H 32	570380
	U 40	570790
	U 50	570795
	U 63 (PR-3B) <sup>3)</sup>	572837 R
	U 63 (S)	572365
	TH 16*	570460
	TH 20*	570470
WEM	TH 26*	570475
	TH 32	570480
	TH 40	570485
	TH 50 (S)	572400
	TH 63 (S)	572405
	U 16*	570765



System	Pressing contour	Art.-No.	
WIELAND cuprotherm CTX <sup>2)</sup>	TH 14 <sup>2)</sup>	570455	
	TH 16 <sup>2)</sup>	570460	
	TH 18 <sup>2)</sup>	570465	
	TH 20 <sup>2)</sup>	570470	
	TH 26 <sup>2)</sup>	570475	
WKS-Press	TH 14*	570455	
	TH 16*	570460	
	TH 17*	570462	
	TH 20*	570470	
	TH 26*	570475	
	TH 32	570480	
	TH 40	570485	
	HE 32	571900	
WÜRTH Würth	TH 16*	570460	
	TH 20*	570470	
	TH 26*	570475	
	<b>X</b>		
XtraConnect	F 16*	570717	
	F 20*	570727	
	F 26*	570730	
	F 32	570735	
	F 16 45° (PR-2B) <sup>3)</sup>	574550 R	
	F 20 45° (PR-2B) <sup>3)</sup>	574552 R	
	F 26 45° (PR-2B) <sup>3)</sup>	574554 R	
	F 32 45° (PR-2B) <sup>3)</sup>	574556 R	
	H 16*	570320	
	H 20*	570350	
	H 26*	570370	
	H 32	570380	
	TH 16*	570460	
	TH 20*	570470	
	TH 26*	570475	
	TH 32	570480	
	U 16*	570765	
	U 20*	570775	
	(DN 26)	U 25*	570780
		U 32	570785
	VP 16*	570910	
	VP 20*	570915	
	VP 32	570925	

System	Pressing contour	Art.-No.
	<b>Z</b>	
Zetaesse	TH 14*	570455
Multistrato	TH 16*	570460
EUROPEX	TH 18*	570465
	TH 20*	570470
	TH 26*	570475
	TH 32	570480
	U 14*	570760
	U 16*	570765
	U 18*	570770
	U 20*	570775
Zetaesse	TH 14*	570455
Multistrato	TH 16*	570460
ISOPEX	TH 18*	570465
	TH 20*	570470
	TH 26*	570475
	TH 32	570480
	U 14*	570760
	U 16*	570765
	U 18*	570770
	U 20*	570775
Zetaesse Rame	TH 14*	570455
HydroSAN	TH 16*	570460
	TH 20*	570470
	U 14*	570760
	U 16*	570765
	U 20*	570775
Zetaesse Rame	TH 14*	570455
ThermoSAN	TH 16*	570460
	TH 20*	570470
	U 14*	570760
	U 16*	570765
	U 20*	570775

System	Pressing contour	Art.-No.
ZEWOTHERM	TH 12*	570452
	TH 16*	570460
	TH 17*	570462
	TH 18*	570465
	TH 20*	570470
	TH 26*	570475
	TH 32	570480
	TH 40	570485
	TH 50 (S)	572400
	TH 63 (S)	572405
Zweo Press	TH 16*	570460
	TH 20*	570470
	TH 26*	570475
	TH 32	570480
ZURN	US ¾**	571450
	US ½**	571455
INDUSTRIES ZURN PEX	US ¾**	571460
	US 1**	571465
	US 1¼"	571470
	US 1½"	571475
	US 2"	571477

Pressfitting systems for gas installations may only be pressed with the pressing tongs/pressing rings which are highlighted in yellow in the table. Observe the national regulations.

\* These pressing tongs also fit in the ROLLER'S Easy-Press manual radial press. Observe the national regulations.

<sup>1)</sup> Only pressing tongs from designation "108" (1<sup>st</sup> quarter of 2008), "208" (2<sup>nd</sup> quarter of 2008) etc. can be used. The designation is stamped on every pressing jaw.

<sup>2)</sup> Making the press joint with manual radial presses is not permitted for this pressfitting system.

<sup>3)</sup> Adaptor tongs, see page 87, are necessary for driving the pressing rings (PR).

<sup>4)</sup> Press fittings made of red bronze (ProPress XL) must be pressed with pressing rings with pressing contour VUSR, fittings made of copper (ProPress XL-C) and stainless steel (ProPress XL-S) must be pressed with pressing rings with pressing contour VUSF.

<sup>5)</sup> For accommodating suitable pressing inserts.

<sup>6)</sup> Press fittings made of red bronze (Sanpress XL) must be pressed with pressing rings with pressing contour VR, press fittings made of copper (Profipress XL and Profipress G XL), carbon steel (Prestabo XL) and stainless steel (Sanpress Inox XL, Sanpress Inox G XL) must be pressed with pressing contour VF.

<sup>7)</sup> Driven by ROLLER'S Uni-Press XL ACC.

Suitability of the ROLLER'S pressing tools for pressfitting systems: Status 16.5.2018. The current status can be found on the Internet: [www.albert-roller.de](http://www.albert-roller.de) → Downloads → Product Catalogues, Brochures → ROLLER Catalogue. Pressing tongs/pressing rings for other press fitting systems on request.



Accessories	Art.-No.
<b>Adaptor tongs Z1</b> for driving ROLLER'S pressing rings 45° (PR-2B)	574500 R
<b>Adaptor tongs Z2</b> for driving the ROLLER'S pressing rings (PR-3S) M / SA 42–54 mm	572795 RX
<b>Adaptor tongs Z4</b> for driving the ROLLER'S pressing rings (PR-3B) F / TH / U 63–75 mm	572801 RX
<b>Adaptor tongs Z5</b> for driving the ROLLER'S pressing rings VFz/VR 64–108 (PR-3B), VMPz 1½–2" (PR-3B), VUSFz 2½–4" (PR-3B), VAUFz 65–100 (PR-3B)	572802 RX
<b>Adaptor tongs Z6 XL</b> for driving the ROLLER'S pressing rings XL 64.0–108.0 (PR-3S) with ROLLER'S Uni-Press XL ACC	579120 R
<b>Steel case</b> for 6 pressing tongs up to Ø 35 mm / 1" and pressing tongs U 40, U 50, TH 40, F 40, F 50, G 40, VUS 1¼, cropping tongs and shelf for pipe cutter up to Ø 42 mm	570295 A
<b>Steel case</b> for 2 pressing tongs M 42 (4G) M 54 (4G), V 42, V 54, H 40, H 40 A, VUS 1½", VUS 2"	570290 A
<b>Steel case</b> for adaptor tongs and 2 pressing rings for M 42 (PR-3S), M 54 (PR-3S), SA 42 (PR-3S), SA 54 (PR-3S)	572810 A
<b>Steel case</b> for adaptor tongs and 4 pressing rings (PR-3B) VF 64.0–108.0 mm / VR 76.1–108.0 mm / VUSF 2½–4" / VUSR 2½–4"	572809 A
<b>Steel case</b> for adaptor tongs Mini Z1 and adaptor tongs Z1 as well as 6 ROLLER'S pressing rings M 12–35 45° (PR-2B) or V 12–35 45° (PR-2B)	574516 A