

Product Documentation



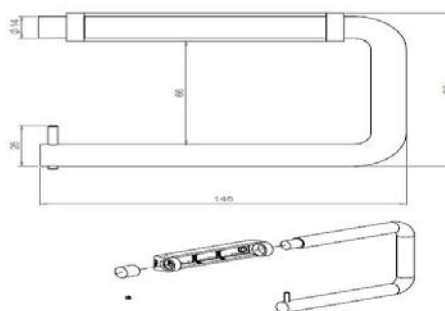
Product Name: Toilet roll holder, w/SS bracket

Article Number: 14.7056.02.243
Satin stainless steel
16.7056.01.243
Polished stainless steel

Photo:



Drawing:



Product Information:

Material: AISI 316 stainless steel
Surface finish: 320 grain or polished
Material thickness / Radius: Ø14
Height: 99mm Width: 145mm Depth: 23mm

NOTE: -

Certificate: -
Warranty: 20 years (non moveable parts)

Spare Parts / Accessories:

14.9760.02.106 Cover cap
D0000005087 Loose wall bracket brushed ss
14.9701.00.052 Grubscrew M4x3mm
P0.0000.00.402 Screws and plugs

Mounting:

Screw elfz. pz 4x50mm and plugs Plugs 8 x 40mm

Maintenance:

Wash down with mild detergent, rinse off with clean water and dry off with soft dry cloth.

Product Specification:

d line Toilet roll holder Ø 14 x 145 mm, brushed stainless steel bracket, with concealed fixing AISI 316 satin stainless steel.

The high humidity levels in the bathroom setting necessitates the use of a non-corrosive rustresistant stainless steel. the only metal used in d line's bathroom fittings is AISI 316, also known as marine quality stainless steel.

Related Products:

14706202016 Spare toilet roll holder

Packing

1pcs in a bag, 20 pcs per box

Environment:

N/A