

Product Documentation



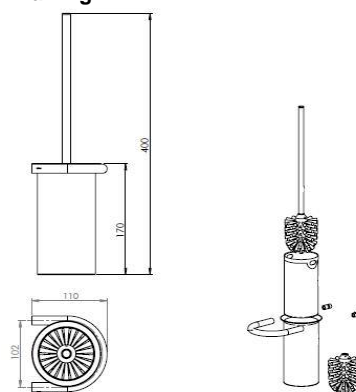
Product Name: Toiletbrushholder, w/SS handle, w/grey brush

Article Number: 14.7061.02.100
Satin stainless steel
16.7061.01.100
Polished stainless steel

Photo:



Drawing:



Product Information:

Material: AISI 316 stainless steel
Surface finish: 320 grain or polished
Material thickness / Radius: Ø14 (Ø12 handle)
Height: 400mm
Width: 79mm
Depth: 79mm

NOTE: -

Certificate: -
Warranty: 20 years (non moveable parts)

Spare Parts / Accessories:

14706125134, Toiletbrush head, grey, w/inline
14706102020, Toiletbrushhandle, SS, w/thread
16706101020, Toiletbrushhandle, SS, w/thread
P0000000170, Accessories f/toiletbrushholders
P0000000452, Accessories for bathroom, Ø4,5x70/plug 8x40,set a' 2 pcs.

Mounting:

Ø4,5x70mm with plug 8x40mm. Please use the correct screws and plugs for the type of wall

Maintenance:

Wash down with mild detergent, rinse off with clean water and dry off with soft dry cloth.

Product Specification:

d line Wall hung toilet brush holder Ø 85 x 170 mm , ss handle, bracket Ø 14 x 110 c/c 102 mm with concealed fixing AISI 316 satin stainless steel

The high humidity levels in the bathroom setting necessitates the use of a non-corrosive rustresistant stainless steel. the only metal used in d line's bathroom fittings is AISI 316, also known as marine quality stainless steel.

Related Products:

14706102013, Toiletbrushholder, theft proof, without brush and handle
16706101013, Toiletbrushholder, theft proof, without brush and handle

Packing

1 pc. per kolli

Environment:

No environmental risk and no risk of fire