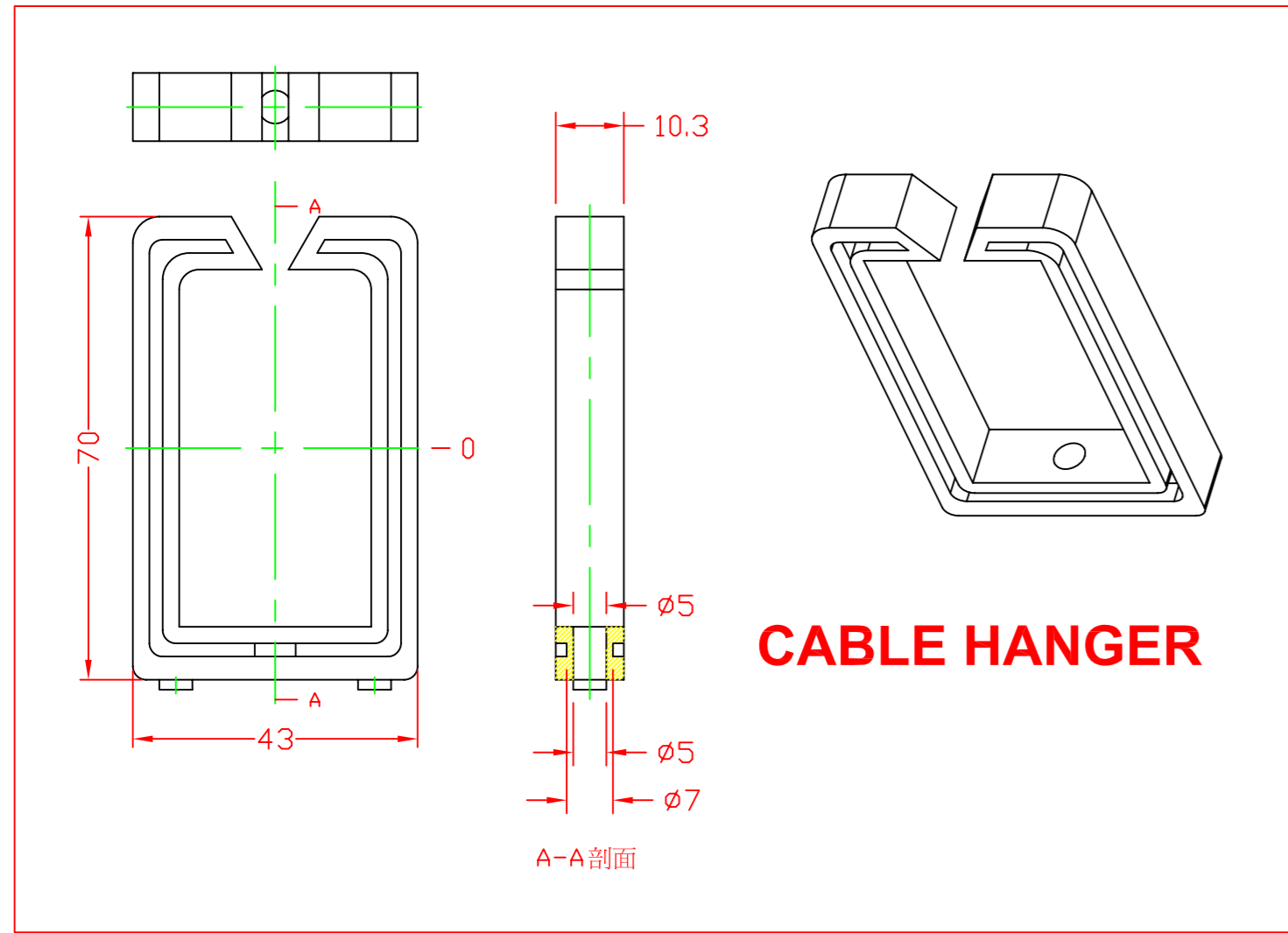
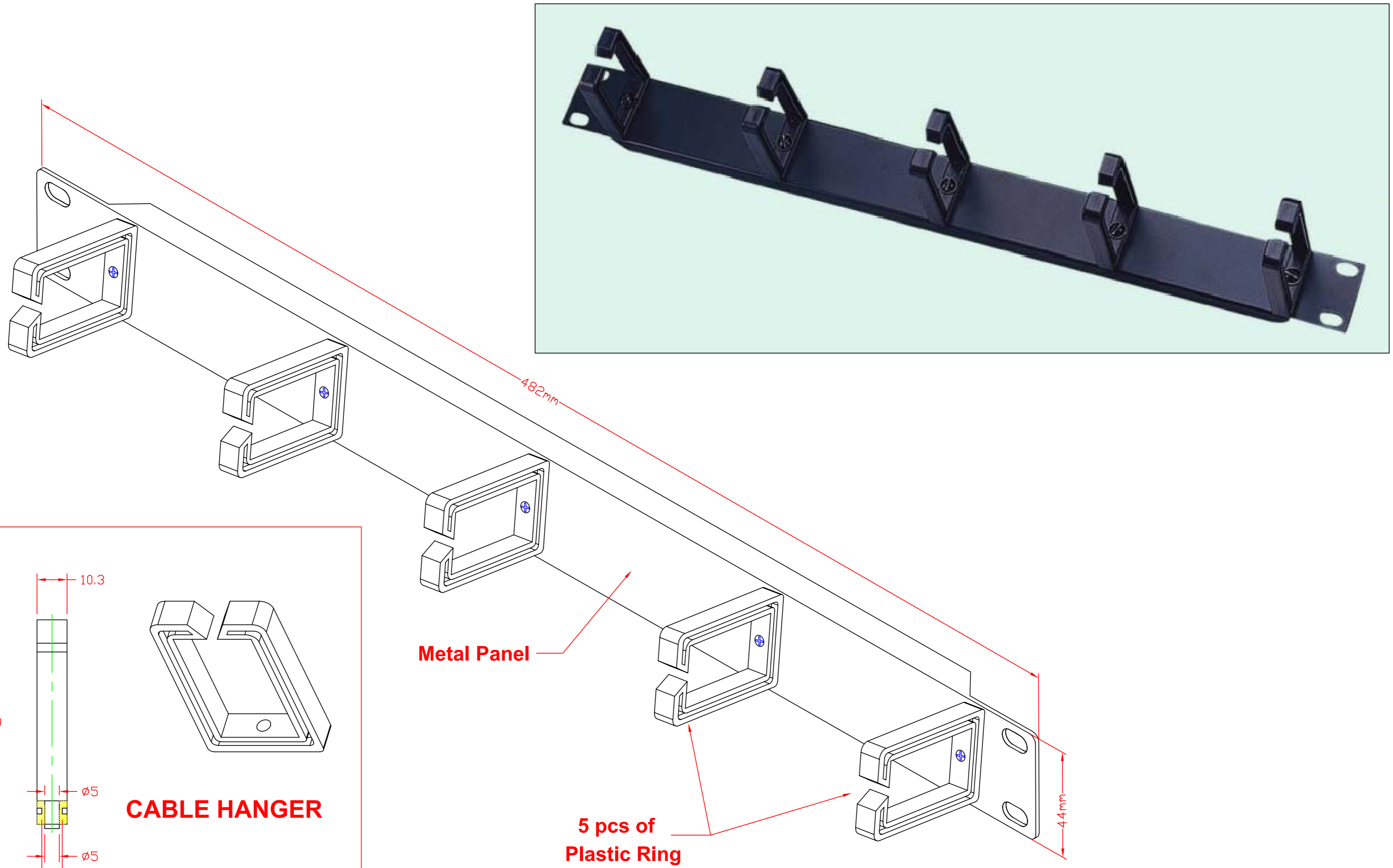


RevNo	Revision note	Rev-By	RevDate	Signature	Checked

CABLE MANAGEMENT - 19" PANEL

ITEM NO: P-016D-1U (Vertical Type)



ITEM NO.	P-016D-1U				
CUSTOMER NO.					
DESIGNED BY	DATE	070608	UNIT	MM	
ALEX	SCALE	1:1	VER.	1	
NO.	Checked by				
APPR:	Approved by -date				

