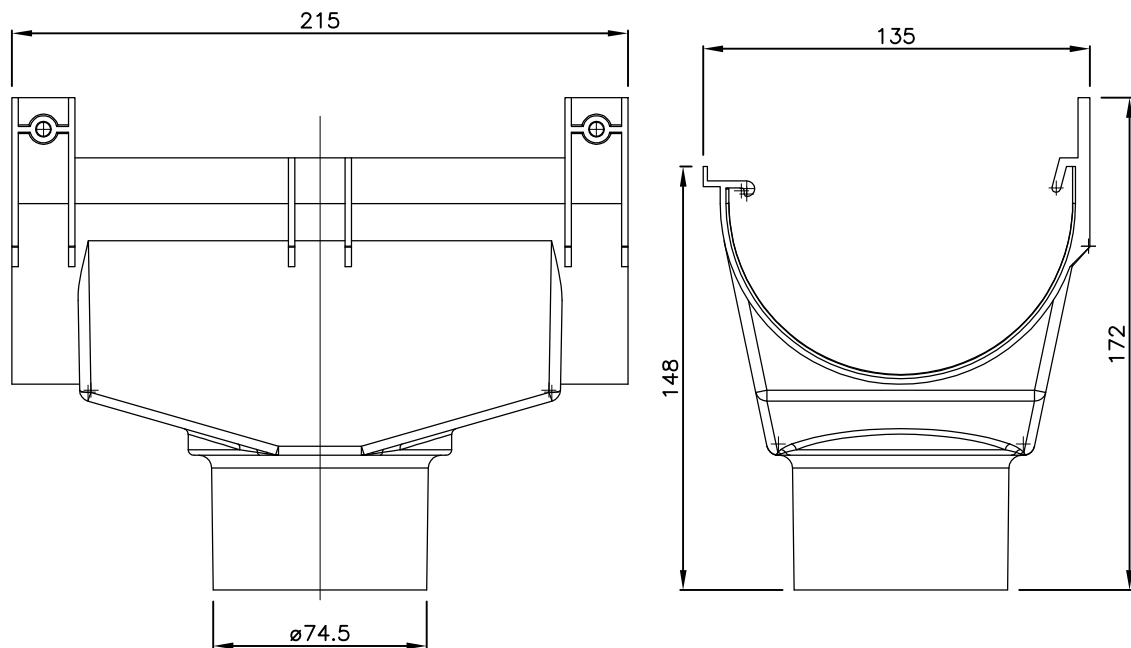


# Kundetegning



## NOTE:

Farve	Varenr.	TUN-nr.
Grå	5122141	2232601
Hvid	5122341	1746940
Grafit	5122241	1746932
Brun	5122441	1746957
Sort	5122541	5354020

# Plastmo®

ACO Nordic A/S  
 Odinsvej 9, 4100 Ringsted, Denmark  
 Phone (+45) 57 66 66 66  
 Fax (+45) 57 66 66 67

Cad no.: 10210\_K  
 Date: 2006.02.06  
 Correction:1)2010.08.19  
 Prod. Respons:

Title: Kundetegning  
 Expansionstudstk. 11/75

Item no.:  
 Se note

Scale:  
 -

Material: PVC  
 Area: mm<sup>2</sup>  
 Weight: g/m

Job: S.Render  
 Document. no.: 04.00.01

Drawn by:  
 PGU

Sale. Respons:  
 Tool. Respons:  
 Cont. Respons:

COPYRIGHT: All rights reserved by ACO Nordic A/S