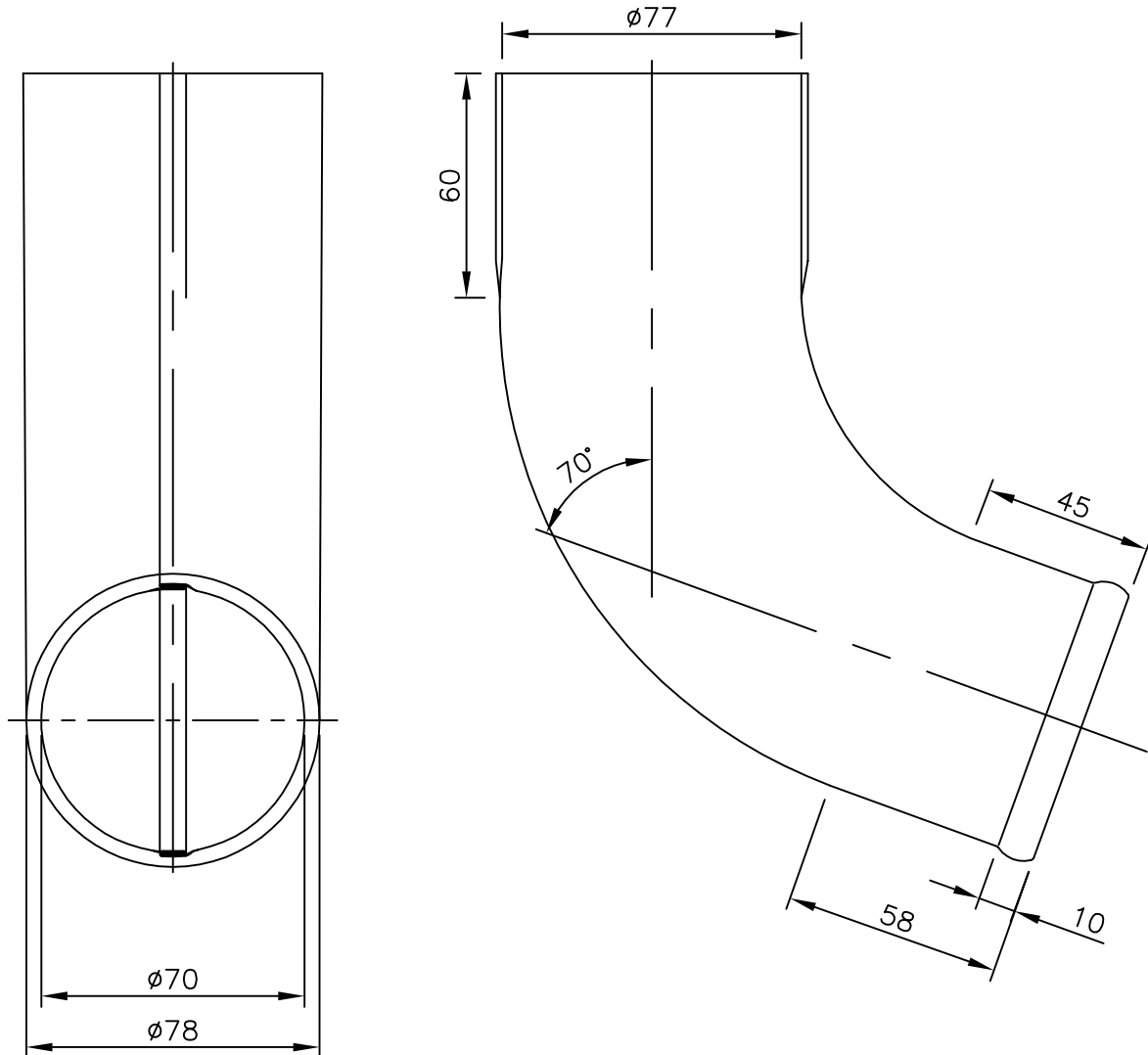


# Kundetegning



**NOTE:**

Materiale	Varenr.	TUN-nr.
Galv.stål	5986040	5619062
Titanzink	6042040	5725685
Aluzink	5086040	1425301

# Plastmo®

ACO Nordic A/S  
 Odinsvej 9, 4100 Ringsted, Denmark  
 Phone (+45) 57 66 66 66  
 Fax (+45) 57 66 66 67

Cad no.: 10563\_K  
 Date: 2002.05.28  
 Correction:1)2010.10.01  
 Prod. Respons:

Title: Kundetegning  
 Udkaster 75 mm

Item no.:  
 Se note

Scale:  
 -

Material: Se note    Area: mm<sup>2</sup>    Weight: g/m

Job: Render    Drawn by:  
 Document. no.: 04.00.01    PGU

Sale. Respons:

Tool. Respons:

Cont. Respons: