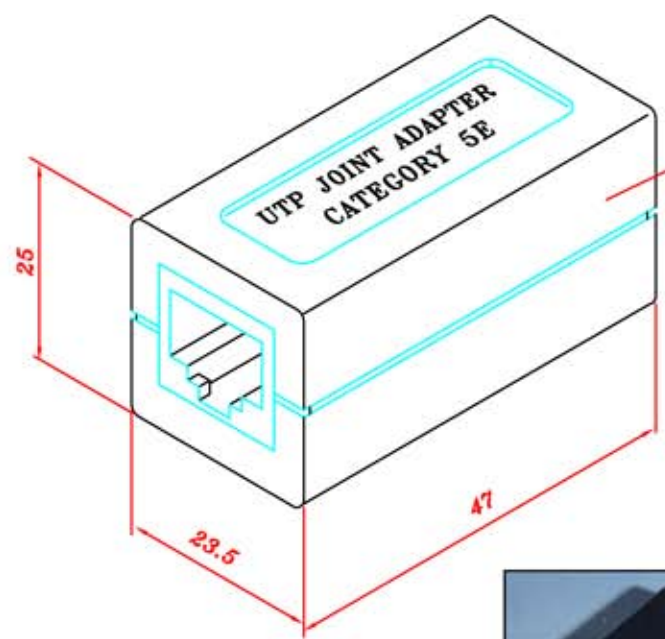


RevNo	Revision note	Rev-By	RevDate	Signature	Checked

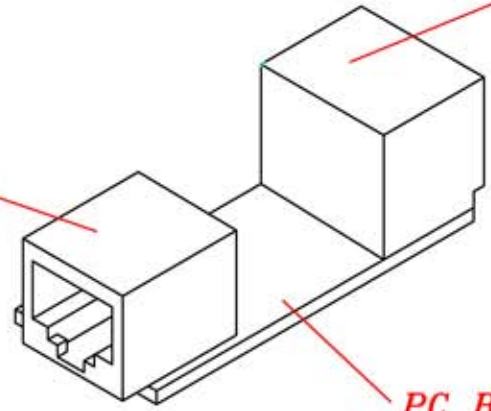
- CATEGORY 5E UTP JOINT ADAPTER -  
CUSTOMER NO: 665-U



*BLACK PLASTIC HOUSING*

*RJ45 Jack A*

*RJ45 Jack B*



*PC BOARD*



ITEM NO.				
CUSTOMER NO.	<b>665-U</b>			
DESIGNED BY ALEX	DATE	050624	UNIT	MM
	SCALE	xx	VER.	1
NO.	Checked by			
APPR:		Approved by -date		

