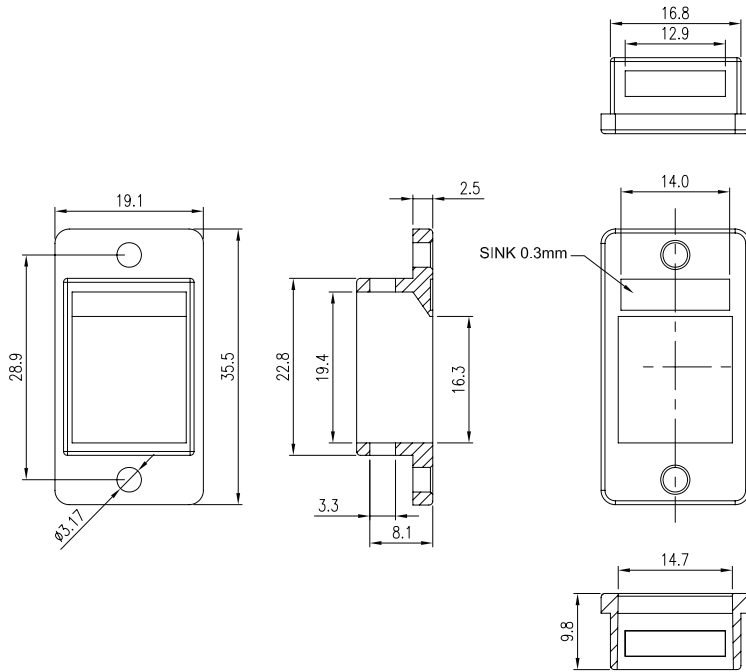




we move the world

86213 Die-Casting Frame for Keystone Jack



Die Cast Zinc(Alloy 3), Nickel Plated

