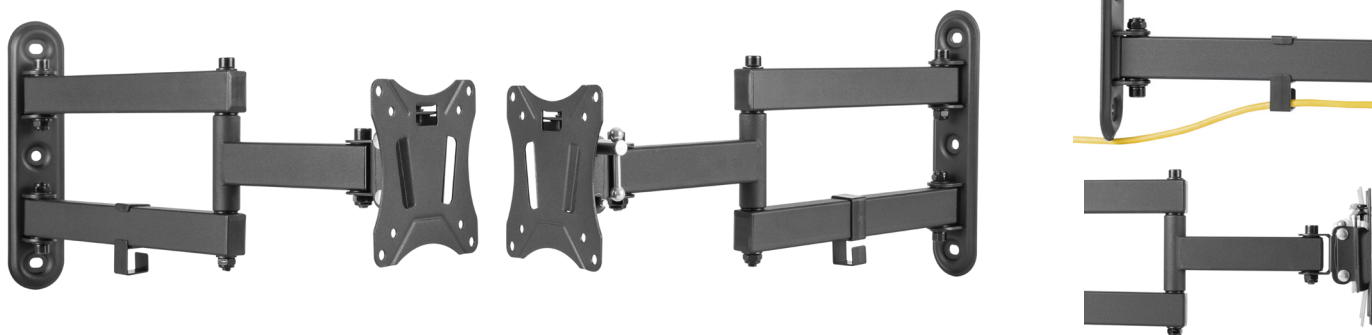


13"-27" display Full-motion wall mount

DELTACO
A NORDIC BRAND
OFFICE



PRODUCT DATA

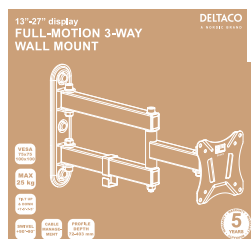
Compatible displays:	13"-27"
Max weight:	25 kg
VESA:	75x75,100x100
Profile depth:	72~403 mm
Product category:	Full-motion wall mount
Pipe size:	30x20x1.5mm (1.2"x0.79"x0.059")
Tilt range:	+7.5°~-7.5°
Swivel range:	+90°~-90°
Material:	Steel
Metal sheet thickness:	Wall plate THK=2.5mm hot-rolled sheet,VESA panel THK=1.5mm cold-rolled sheet (wall plate THK=0.098" hot-rolled sheet,VESA panel THK=0.059" cold-rolled sheet)
Surface finish:	Powder coating
Color:	Fine texture black
Dimensions:	115 x 115 x 403 mm
Mounting hole pattern :	VESA only
Strength tested:	2 times approved
Installation:	Solid wall, single stud
Panel type:	Detachable panel
Wall plate type:	Fixed wall plate
Cable management:	Yes
Anti-theft:	No
Bubble level:	No
Accessory kit package:	Compartment polybag

LOGISTICS DATA

Article number:	ARM-0251
Brand:	DELTACO
EAN code:	7333048042651
Country of origin:	China
Custom tariff number:	83024900
Master carton packing unit:	10
Master carton gross weight:	18.45 kg
Master carton dimensions:	48,5 x 27,5 x 40 cm
Package type:	Box
Package weight:	1.77 kg
Package dimensions:	26 x 23.3 x 7.4 cm

PACKAGING

Package contents:	Wall mount, mounting kit for wall, mounting kit for display and manual.
-------------------	---



-Image may differ from the actual package

Drawing

