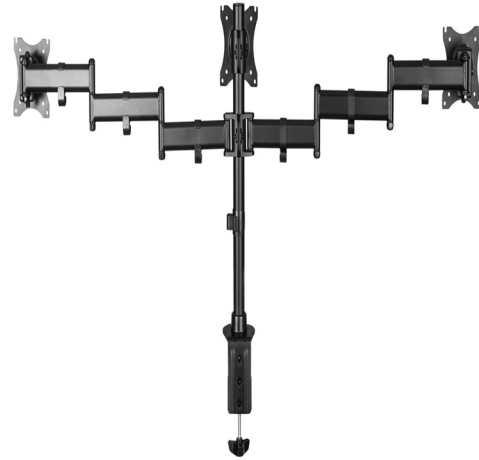


13"-27" display Desk mount

DELTACO
A NORDIC BRAND
OFFICE



PRODUCT DATA

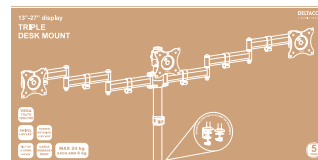
Compatible displays:	13-27"
Screen quantity:	3
Weight capacity (per screen):	8 kg
VESA:	75x75,100x100
Product category:	Articulating monitor arm
Tilt range:	+45°~-45°
Swivel range:	+45°~-45°
Screen rotation:	+180°~-180°
Material:	Aluminum, plastic, steel
Surface finish:	Powder coating
Color:	Matte black
Dimensions:	1448 x 120 x 550 mm
Arm full extension:	630 mm
Pole height:	450 mm
Suggested desktop thickness:	Clamp:10~88 mm grommet:10~80 mm
Installation:	Grommet, clamp
Fit curved monitor:	No
Cable management:	Yes
Quick release VESA plate:	No
Anti-theft:	No

LOGISTICS DATA

Article number:	ARM-0301
Brand:	DELTACO
EAN code:	7333048042750
Country of origin:	China
Custom tariff number:	83024900
Master carton packing unit:	2 pcs
Master carton gross weight:	15.8 kg
Master carton dimensions:	63 x 31 x 28.5 cm
Package type:	Box
Package weight:	7.3 kg
Package dimensions:	62 x 30 x 13.5 cm

PACKAGING

Package contents:	Desk mount, mounting kit and manual.
-------------------	--------------------------------------



-Image may differ from the actual package

Drawing

