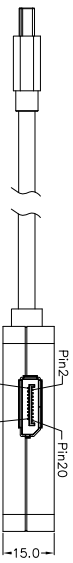
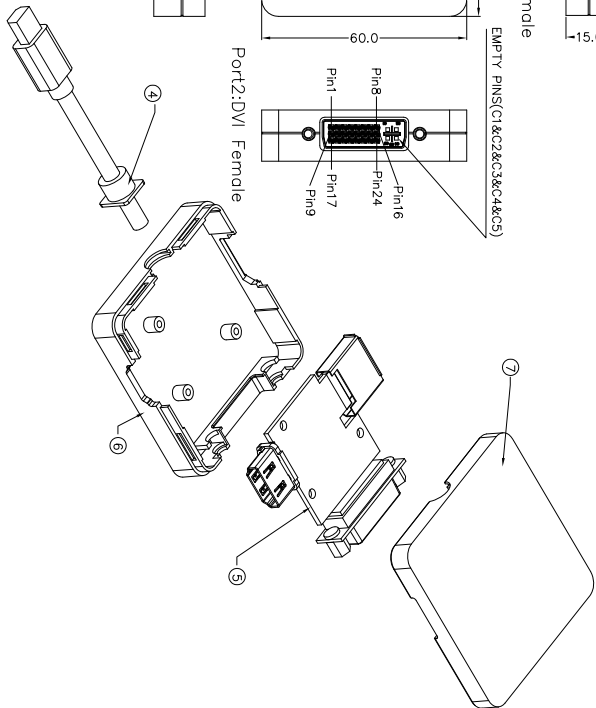
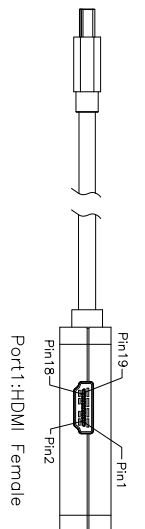
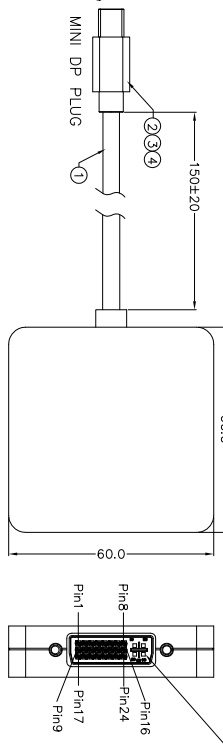


REV	ZONE	LTR	DESCRIPTION	DATE	REVISER	APPD
1.0			New Drawing	2011/03/21	REY	



EMPTY PINS(C1&C2&C3&C4&C5)



**Features:**

- Converts low-swing AC coupled differential input to HDMI rev 1.3 compliant open-drain current steering Rx terminated differential output.
- Compliant to VESA Interop Guidelines.
- HDMI level shifting operation up to 2.5Gbps per lane(250MHz pixel clock).
- Integrated 50-ohm termination resistors for AC-coupled differential inputs.
- Enable/Disable feature to turn off TMDS outputs to enter low power state.
- C buffer for ATC DDC Cap test support.
- Transparent operation:no re-timing or configuration required.
- Level shifter for HPD single from HDMI connector.
- Integrated pull-down on HPD\_sink input guarantees "input low"when no display is plugged in.
- Supports 1080p 60Hz at distance up to 3meters.

**Electrical character:**

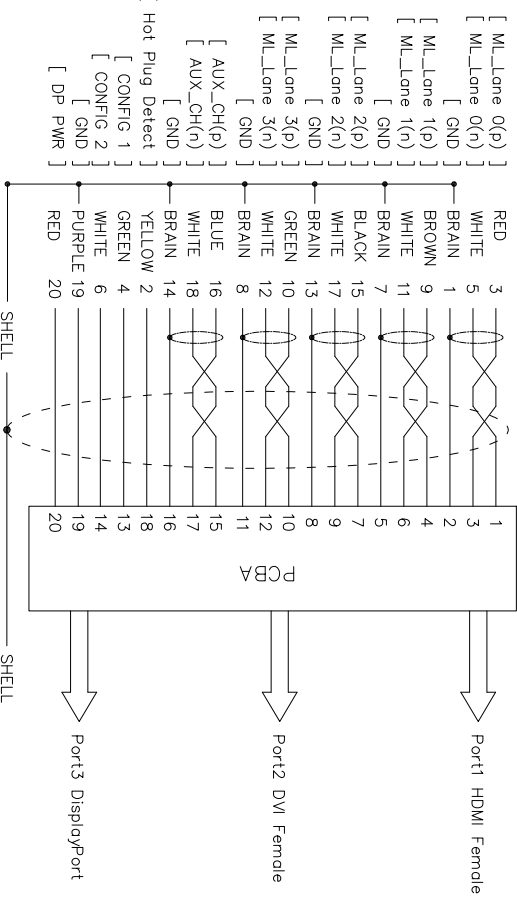
by PC and monitor 1080P 60Hz test pass.

**Note:**

a. User can only use one output port at one time.

**PIN ASSIGNMENT:**

MINI DP PLUG (SOURCE)



7	UP COVER	ABS UP COVER,WHITE COLOR	
6	BOTTOM COVER	ABS BOTTOM COVER,WHITE COLOR	
5	PCBA	HDM/DVI CONTACT G/DP CONTACT GOLD PLATED 15U",SHELL PLATED NICKEL,W/PCBA	
4	SR	PVC WHITE	
3	OUTER COVER	MINI DP CONNECTOR ABS OUTER COVER WHITE	
2	CONNECTOR 1	MINI DP CONNECTOR PLUG,CONTACT GOLD PLATED 15U",SHELL PLATED NICKEL	
1	CABLE	UL20276 DISPLAYPORT CABLE IMPEDANCE: 100 Ohm 32AWG WHITE	
NO.	PART	SPEC	REMAKE

图号 (DWG NO)	单位 (UNIT): MM		品名 (ITEM NO)	Mini DP to HDMI+DVI+DP
版次 (REV):	A0			
页次 (PAGE):	1/1		料号 (PART NO)	DP-MULTI
设计 (DESIGN)	Dean			
审核 (CHECKED)				
核准 (APPROVED)				