

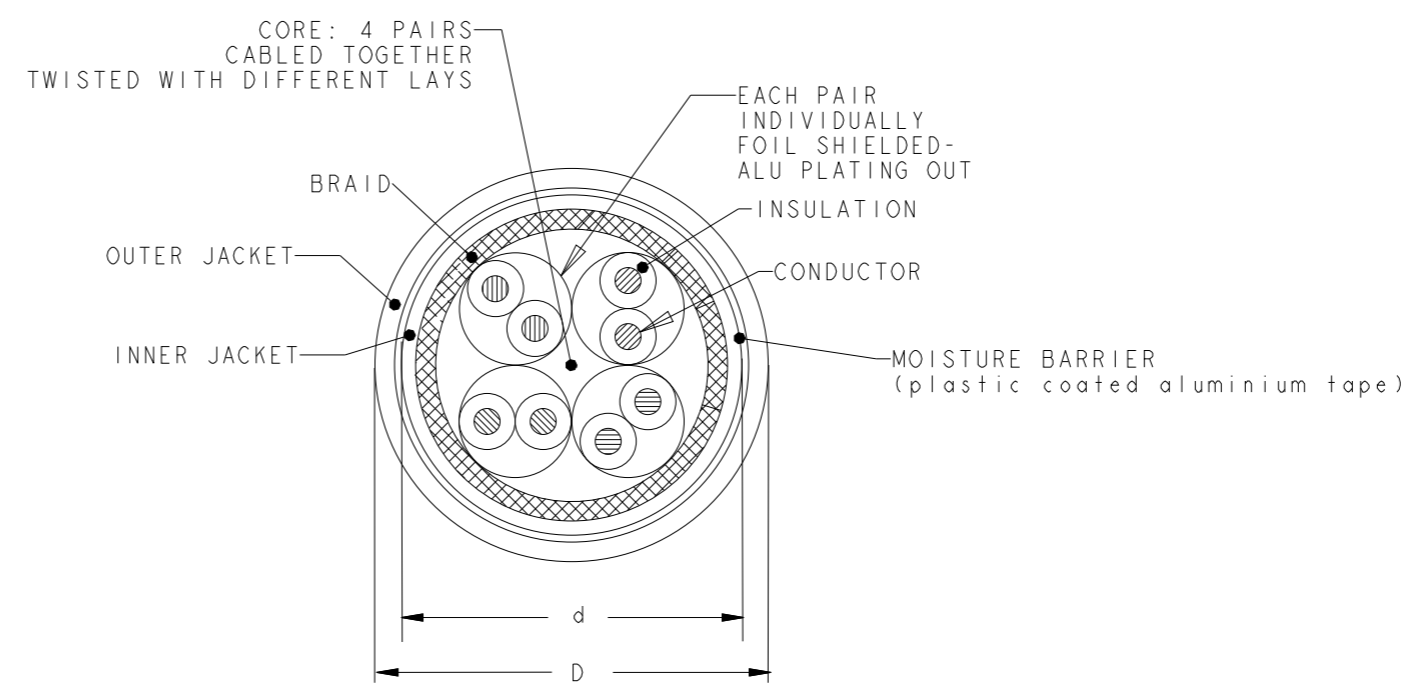
THIS DRAWING IS UNPUBLISHED. RELEASED FOR PUBLICATION 2013
 © COPYRIGHT 2013 TE Connectivity AMP España, S.L.U. ALL RIGHTS RESERVED.

LOC	DIST	REVISIONS			
P	LTR	DESCRIPTION	DATE	DWN	APVD
1K	2	A	Initial release	12Sep13	LD JS

FINISHED CABLE DATA

CONDUCTORS	WIRE AWG	23 AWG Solid
	OVERALL DIAMETER NOM.	0.546 < \varnothing <= 0.610
	MATERIAL	COPPER
	PLATING	BARE
INSULATION	MATERIAL	POLYETHYLENE
	OVERALL DIAMETER	-
DRAIN WIRE	\varnothing RANGE	-
	MATERIAL	-
	PLATING	-
	ELONGATION	-
BINDER	POLYESTER TAPE	-
INDIVIDUAL PAIR SCREEN	MATERIAL	PLASTIC LAMINATED ALUMINUM FOIL
OVERALL SHIELD	FOIL MATERIAL	-
	BRAID MATERIAL	COPPER BRAID
OVERALL SHIELD	PLATING	TINNED
	COVERAGE	60% APPROX.
	ELONGATION	15% PER EN 50288-1
INNER JACKET	MATERIAL	LSZH
	DIAMETER (d)	7,5
MOISTURE BARRIER	MATERIAL	PLASTIC LAMINATED ALUMINUM FOIL
OUTER JACKET	MATERIAL	POLYETHYLENE
	OVERALL DIAMETER (D)	11,5
PULLING FORCE	MAX.	400

- REFER TO PRODUCT SPEC 108-93018 FOR ADDITIONAL REQUIREMENTS.
- CABLE PRINT LEGEND:
 TE CONNECTIVITY ISO-EN COMPLIANT XXXXX PN 2153161-1 CAT7 S/FTP SOLID OUTDOOR BURIED PR04 AWG23 LSZH(d) PE(D) YYWW Z (SEQUENTIAL N^o) METER



BLACK: outer jacket BLACK: inner jacket	1000	REEL	2153161-1
COLOUR	LENGTH (METRES)	PACKAGE	PART NUMBER

THIS DRAWING IS A CONTROLLED DOCUMENT.		DWN	L. de Dios	12Sept13
DIMENSIONS: mm		CHK	M. Maqueda	12Sept13
TOLERANCES UNLESS OTHERWISE SPECIFIED:		APVD	J. Sanabra	12Sept13
	0 PLC	±-	PRODUCT SPEC	
	1 PLC	±-	APPLICATION SPEC	
	2 PLC	±-	WEIGHT	
	3 PLC	±-	CUSTOMER DRAWING	
4 PLC	±-	SCALE		
ANGLES	±-	SHEET		
MATERIAL	FINISH	RESTRICTED TO		
		REV		

STE TE Connectivity

NAME: CABLE OUTDOOR BURIED, CAT7, PR04, S/FTP, PIMF600, LSZH, AWG23, SOLID

SIZE: A3 CAGE CODE: - DRAWING NO: C-2153161 RESTRICTED TO: -

SCALE: NTS SHEET 1 OF 1 REV: A