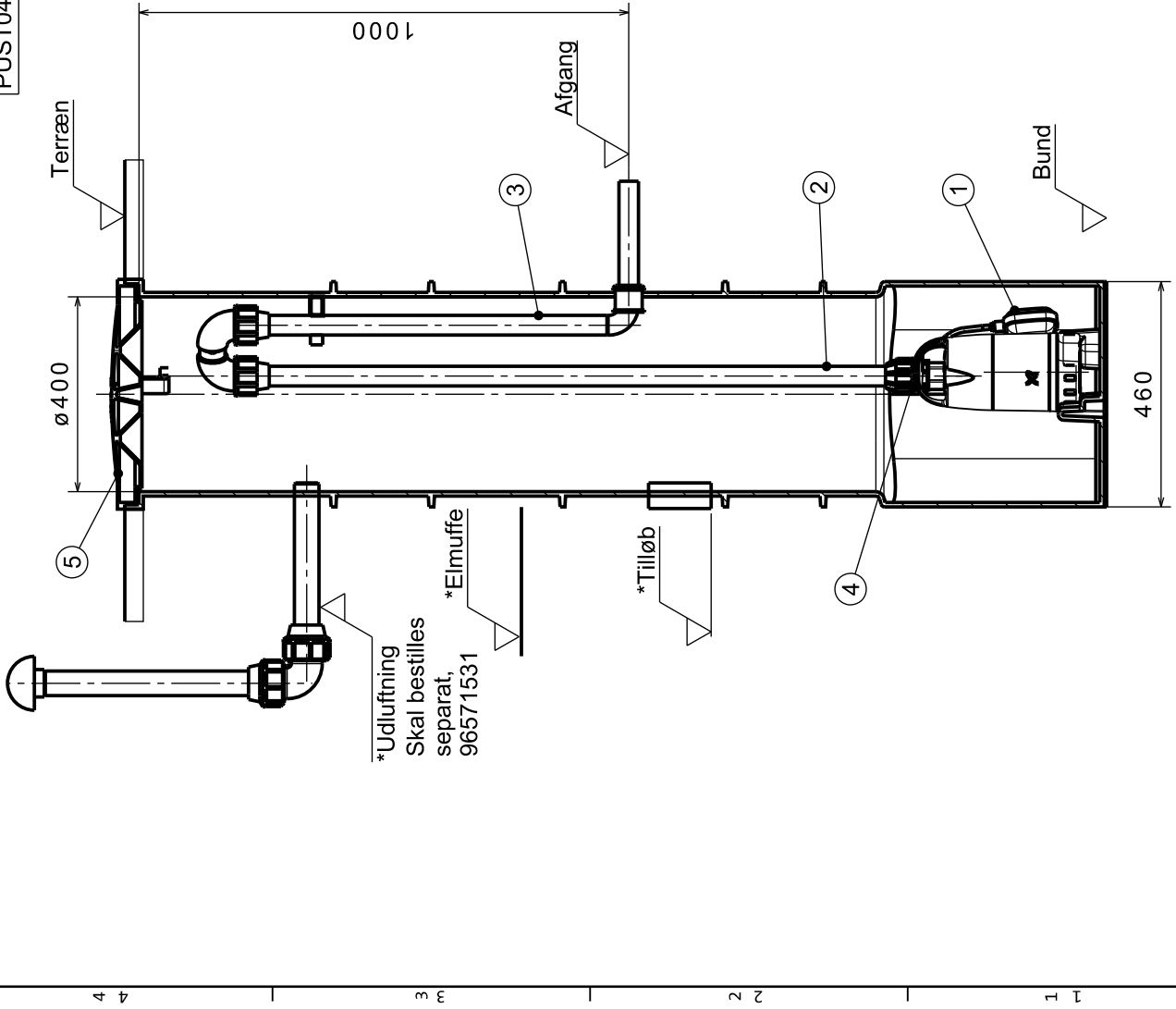


Type	Best. Nr.	VVS. Nr.	Pumpe	Styring	Dimension	Tilslutning
PUST04.20.S.S.PE.CC7	97771882	39 1385.042	CC7 A1	Påbygget	ø400x2000mm	Glat 40mm PE



\* Tilløb-, udluftnings og el muffer påbores efter forholdene af entreprenør.

5	2	Låg, PE
4	1	Indb. hjerteklapventil
3	1	Afgangsrør ø40 PE
2	1	Trykrør ø40 PE
1	1	CC7 A1
Pos.		Antal Beskrivelse
		Partnummer

Basic Material No.:

Dimension of basic material:

Type of basic material:

Drawing type: Part Drawing

Related drawings:

Projection:

Date - Init:

Chg.note:

Scale: V/H

Date: 2011-03-10

Replaced by:

Replaced:

Description: PUST04.20.S.S.PE.CC7

Page: 1 of 1

Drawing No. 97771882

**GRUNDFOS**  
DK-8850 BIERRINGBRO DENMARK

As this is the property of GRUNDFOS a/s it must not be passed on to any person not authorized by GRUNDFOS a/s. Reproduction of this drawing without GRUNDFOS expressed written permission.