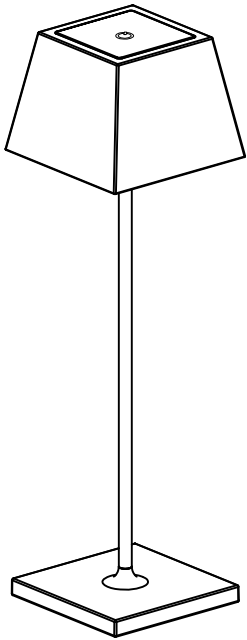
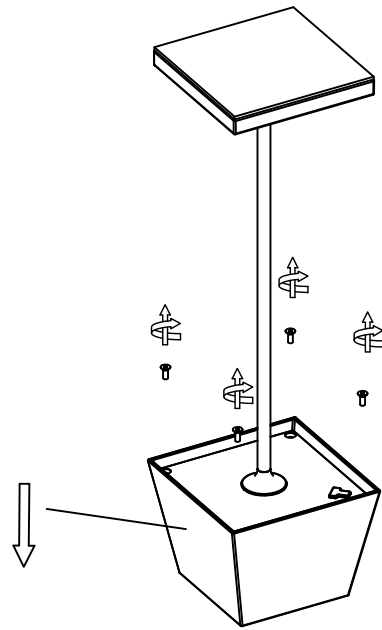


1.

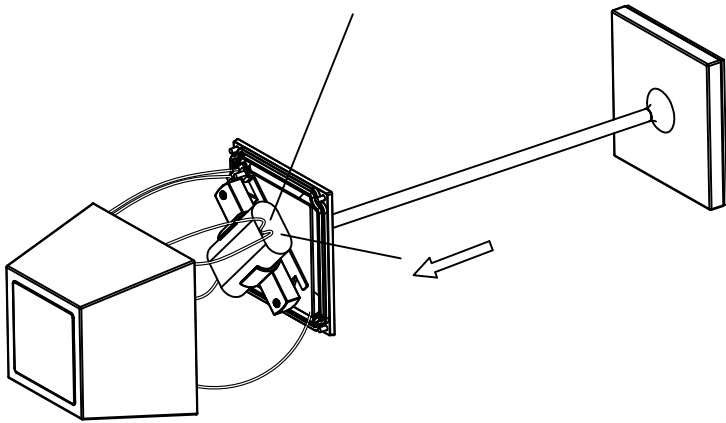


2.



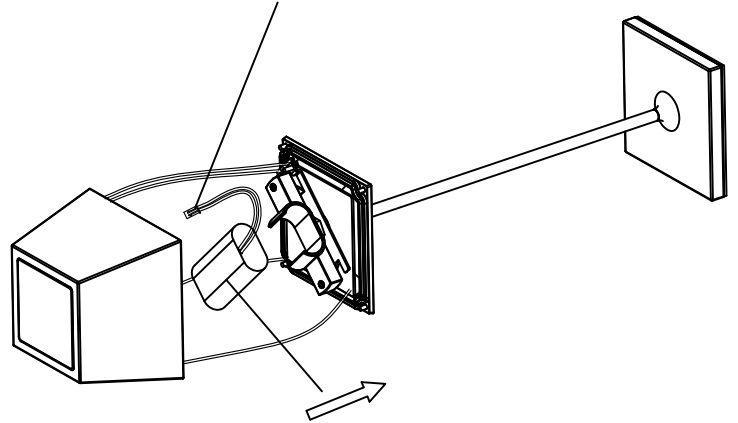
3.

pull out the battery wire



4.

connect BAT



5.

