

MAKEN

Economical Medium Cash Drawer

Make It Happen

INNOVATION QUALITY SERVICE



▣ ECD Series ECD-410/ECD-420

Obviously lower priced, but having many features similar to the higher priced drawers, and still durable enough to meet frequent use demands. The perfect platform for most of retail environments, also the ideal base for large size ECR.



Durable Metal Wire Gripper Bill Holder
Tested over one million operations

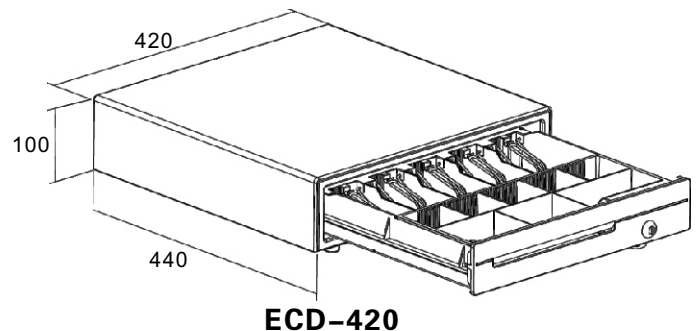
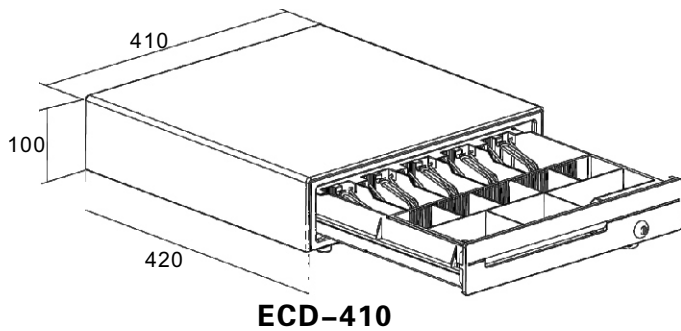
Removable and adjustable cash tray

ECD-410 / ECD-420 Series Specifications

MODEL NUMBER	ECD-410	ECD-420
PHYSICAL		
Dimension	410(W)x420(D)x100(H)mm	420(W)x440(D)x100(H)mm
Construction	Thick gauge cold rolled steel & SECC	
Finish	Textured hybrid powder coat	
Color	Black, Beige and Custom type	
Roller	Polyurethane for smooth operation	
CASH TRAY (INSERT)		
Construction	Shatter-resistant plastic	
Currency Layout	4,5,6,8-Bill with Metal Metal wire grips, 8 Adjustable Coin Slots	
Media Slots	1	
OPERATION		
Drawer Lock	3-Position lock / 4-Functions: locked open/ closed, manual open, electronically driven	
Interface	RJ11, RJ12, USB, RS232, DC Φ 2.5 /3.5 Jack, custom type	
Lifecycle	MTBF 1,000,000 times +	
Micro Switch	Cash Drawer Status Micro Switch	

OPTION	ACCESSORIES	
	Part Number	Description
Micro-switch		
Stainless Steel Front	Bracket-41268	Under Mounting brackets
Cash tray with different currency layout	DT-100U	USB Trigger
Different color	DT-100RS	Serial Interface Trigger
Different interfaces		

Packing Details			
Models	Net Weight(kg)	Gross Weight(kg)	Carton Size(cm)
ECD-410	6.2	7.0	47.0 x 48.0 x 16.0
ECD-420	6.43	7.4	50.0 x 47.0 x 16.0



Xiamen Maken Tech Co., Ltd.

No.77,Huli Industrial Zone,Xike,
Tong'an District,Xiamen 361100
Fujian China

Tel: +86-592-5768733
Fax: +86-592-5768735
www.maken.com.cn
E-mail: export@maken.com.cn

Specifications are subjected to change without notice.

