

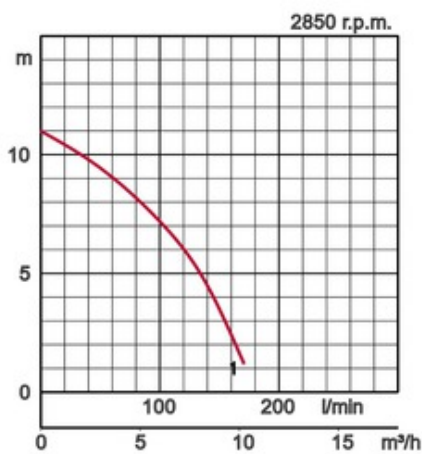


## LSC | 1-phase / 50Hz


Original residue dewatering pump capable of pumping down to floor level. Even the smallest puddle can be pumped dry. Ideal for complete drainage of flat surfaces where a sump is not available: rooftops, parking lots, garages, roadways, pools,...



## Ydelseskurve



## Specifikationer

Model	Colour code curve	Bore mm	Motor output kW	Rated current A	Head max. m	Capacity max. l/min	Dry weight kg w/o cable	Max. solid handling ø mm	Max. water depth m	Cable length m
	1 <a href="#">print</a>  <a href="#">LSC1.4S_1.pdf</a>									

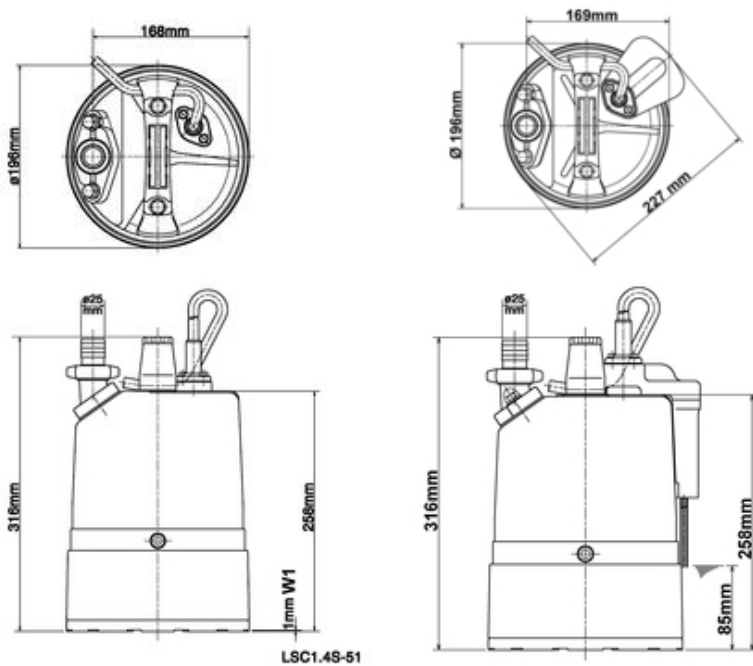
LSC1.4S		DN25	0,48	2,9	11,0	170	11,0	6	10	10
LSCE1.4S		DN25	0,48	2,9	11,0	170	11,0	6	10	10

## Materialie

<b>ø Discharge bore mm</b>		25	
<b>Pumping Fluid</b>	<b>Temperature</b>		0-40°C
	<b>Type of Fluid</b>		Cleaning water, Water on floor, Puddles
<b>Pump</b>	<b>Compo- nents</b>	<b>Impeller</b>	Semi-Vortex impeller
		<b>Shaft Seal</b>	Double mechanical seal
		<b>Bearings</b>	Shielded ball bearings
	<b>Material</b>	<b>Impeller</b>	Urethane rubber
		<b>Casing</b>	Ethylene propylene rubber
		<b>Suction Plate</b>	Steelplate+Urethane rubber
		<b>Shaft Seal</b>	Silicon carbide in oil bath
<b>Motor</b>	<b>Type, Poles</b>		Induction motor, 2 poles, IP68
	<b>Lubrication</b>		Turbine oil (ISO VG32)
	<b>Motor Protector (built-in)</b>		Miniature protector
	<b>Insulation</b>		Insulation class E
	<b>Phase / Voltage</b>		Single phase 230V / 110V / 50Hz
	<b>Material</b>	<b>Casing</b>	Aluminium die casting
		<b>Shaft</b>	Stainless steel EN-X6Cr13
<b>Cable</b>		Rubber, H07RN-F	
<b>Discharge Connection</b>		Hose coupling	

## Dimensions in mm:

LSC1.4S



W1: lowest running water level

Model
LSC1.4S
LSCE1.4S

In the event of abrasive and corrosive utilization, stronger wear and tear will take place naturally in certain components. In this regard, please pay attention to our website [www.tsurumi.eu/english/applications.htm](http://www.tsurumi.eu/english/applications.htm).

## Anvendelse

### Moosach subway tunnel, Munich, Germany

Renovation of the U3 between the Olympia shopping centre and Moosach

### Renovation of underground parking garage, Munchich, Germany

Pumping of jet water with residual water pumps off concrete surface

### Caisson tunnel, Oslo, Norway

Construction of a tunnel using caissons

### Escaping hazardous material, Fire Brigade Hamburg

Action of the Hamburg Fire Brigade following an accident in which a hazardous material escapes

### HeidelbergCement AG, Burglengenfeld

Use of pumps at the work site

### Rheinische Zusatzversorgungskasse Cologne-Deutz

Pumping off abrasive water in reinforcement system

**Technical Relieve Organisation (THW) local association Cologne East**

Fast pumping off of buildings using Tsurumi pumps

**Essen-Kettwig sewage treatment plant, Germany**

pumping of residue water on concrete surface

©2011 TSURUMI (Europe)GmbH

---

*Wahlerstr. 10 40472 Düsseldorf Germany Phone +49 211 4179373 Fax +49 211 417937480 Email [sales@tsurumi.eu](mailto:sales@tsurumi.eu)*