

ARDEN LED DOWNLIGHTER INSTRUCTIONS

Issue 05 2nd November 2020

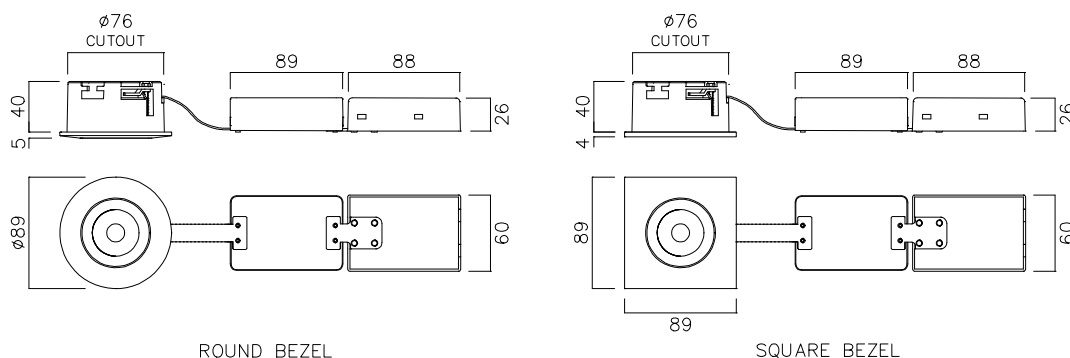
THANK YOU for buying this product. To help ensure it gives complete satisfaction please install it according to these instructions and then pass the instructions to the appropriate person for retention and future reference.

SAFETY This is a mains powered product. It is designed to be installed by suitably qualified personnel only and in accordance with the applicable building and electrical regulations. Before installation or maintenance, the electrical supply to the product must be isolated.



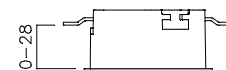
INSTALLATION SUPPORT If installation advice or accessories are required, please contact us at the above address. We will do our best to help. When reporting a suspected fault, or seeking installation support the problem is likely to be resolved most quickly if you have full product details to-hand, as well as details of when and where it was purchased.

DIMENSIONS



INSTALLATION

1. Decide mounting position in ceiling & cut the hole. Care should be taken when cutting the hole to avoid structures & to not exceed the specified cutting diameter so as not to expose the cut edge.
2. Provide mains cable(s) down through the mounting hole & route to the luminaire.
3. Unclip the terminal cover to expose the terminal block. Terminate the mains supply ensuring correct polarity is observed.
4. Ratchet down the cable clamps to restrain the mains supply cable(s). Note: The clamps should be located on the outer insulation. Then refit the terminal cover by snapping into place.
5. Remove the front bezel by pulling it away from the main body can by. Then disconnect the LED head unit from the GU5.3 lampholder. This will expose the swing out suspension arms securing screws in the main body can.
6. Insert the connection box & driver unit up through the hole into the ceiling void.
7. Insert the main body can up through the hole, then secure by:
 - i. Locating the screw head of one of the two swing out suspension arms.
 - ii. Insert a Torx 10 driver & rotate clockwise to get the arm to swing out from the side of the body.
 - iii. Keep rotating the screw head to lower it & clamp to the top of the ceiling surface. Care should be taken not to over tighten & cause damage to the ceiling material.
 - iv. Repeat for second suspension arm.
8. Reconnect the LED head unit by inserting the pins of the lamp head into the GU5.3 lampholder. Note that this will only locate one way around, so take care to align the peg with the hole.
9. Carefully relocate front bezel into the body can & push back in to secure. Make sure the spring clips on the front bezel align with the moulded teeth inside the body.
10. Tilt the lamp head to required direction.
11. With the down lighter installed, reconnect power supply & check for correct operation. Note that this product is exempt from insulation testing as it may cause irreparable damage to the luminaire electronic components.



ALTERNATIVE FIXING SPRINGS The body can also be secured using torsion springs, instead of the swing out suspension arms. These are supplied in a small poly bag inside the carton. These are fitted to the pegs on the top edge of the main body can.

1. Push the side of the coiled spring with the small leg on to right hand notch, locating the small leg behind the small moulded wall below it.
2. Then push to compress the coiled part of the spring to allow the opposing side to locate on to the notch.
3. Repeat for opposite side.
4. Locate into ceiling by pushing up & holding both springs upwards, locate through the mounting hole, then release to allow the can to be pulled up to the mounting surface.

MAINS DIMMING It is for the installer to ensure that any dimmer used with this fitting is compatible with it. NVC cannot guarantee the performance of another manufacturer's products but we have found that the following dimmers, used in accordance with the manufacturer's guidance, give a performance that we consider to be good (others are available):

- LK FUGA LED-S 120VA 506D6219
- LK FUGA LED 180 TOUCH IR HVID 506D6126
- LK FUGA MEK-D 300CR HVID 506D6109
- YOKIS MTV500E 5454052

NOTES

1. If mounting the luminaire externally then the External version should be used. This will have /EXT in the product code.
2. The IP44 rating is to the rear of the product. The front is IP21 rated.