



MASTER LEDspot ExpertColor LV



MASTER LED ExpertColor 7.5-43W MR16 940 24D

MASTER LEDspot LV ExpertColor creates a warm and comfortable ambience for hospitality venues, homes and restaurants. It creates such an ambience with superior lighting that has a customized spectrum, high CRI, and deep dimming feature. The result? A beautiful lighting experience. What's more, the innovative, trimless lens design will suit almost any interior decor with its clean and neat look. In addition, you can take advantage of the full ExpertColor family, which also includes LEDspot MV and LEDspot Par lamps.

Product data

General information		Luminous Flux in 90° Cone (Rated)	
Cap-Base	GU5.3 [GU5.3]		520 lm
EU RoHS compliant	Yes	Operating and electrical	
Nominal Lifetime (Nom)	40000 h	Input Frequency	- Hz
Switching Cycle	50000X	Power (Nom)	7.5 W
Flux measurement reference	Narrow Cone	Lamp Current (Nom)	720 mA
Light technical		Wattage Equivalent	43 W
Color Code	940 [CCT of 4000K]	Starting Time (Nom)	0.5 s
Beam Angle (Nom)	24 °	Warm Up Time to 60% Light (Nom)	0.5 s
Luminous Flux (Nom)	520 lm	Power Factor (Nom)	0.7
Luminous Intensity (Nom)	2800 cd	Voltage (Nom)	ac electronic 12 V
Color Designation	Cool White (CW)	Temperature	
Correlated Color Temperature (Nom)	4000 K	T-Case Maximum (Nom)	93 °C
Luminous Efficacy (rated) (Nom)	69.00 lm/W	Controls and dimming	
Color Consistency	<3	Dimmable	Only with specific dimmers
Color Rendering Index (Nom)	92		
LLMF At End Of Nominal Lifetime (Nom)	70 %		

MASTER LEDspot ExpertColor LV

Mechanical and housing

Bulb Shape MR16 [2inch/50mm]

Approval and application

Energy Efficiency Class G

Suitable For Accent Lighting Yes

Energy Consumption kWh/1000 h 8 kWh

EPREL Registration Number 624212

Product data

Full product code 871951435869000

Order product name MASTER LED ExpertColor 7.5-43W MR16 940 24D

EAN/UPC - Product 8719514358690

Order code 929003079902

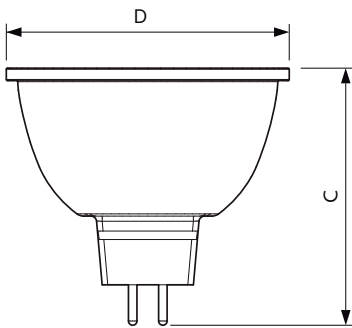
Numerator - Quantity Per Pack 1

Numerator - Packs per outer box 10

Material Nr. (12NC) 929003079902

Net Weight (Piece) 0.052 kg

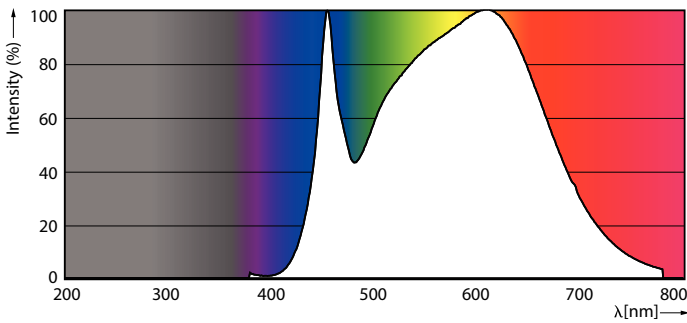
Dimensional drawing



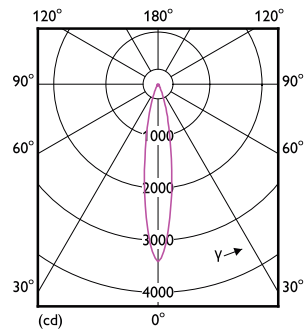
MASTER LED ExpertColor 7.5-43W MR16 940 24D

Product	D	C
MASTER LED ExpertColor 7.5-43W MR16 940 24D	50.5 mm	46 mm

Photometric data



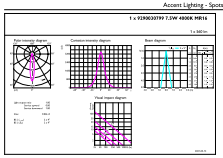
LED-spots MAS IC 7,5W MR16 GU5,3 940 24D-POC



LEDspots MAS IC 7,5W MR16 GU5,3 940 24D-LDD

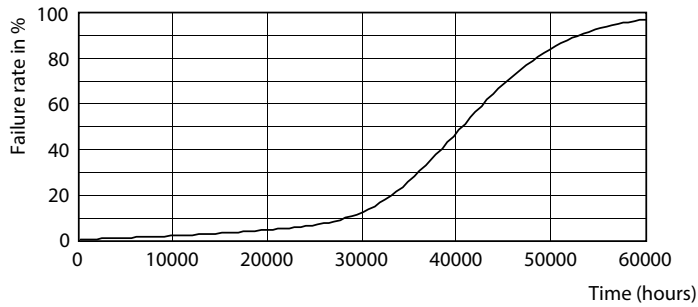
MASTER LEDspot ExpertColor LV

Photometric data

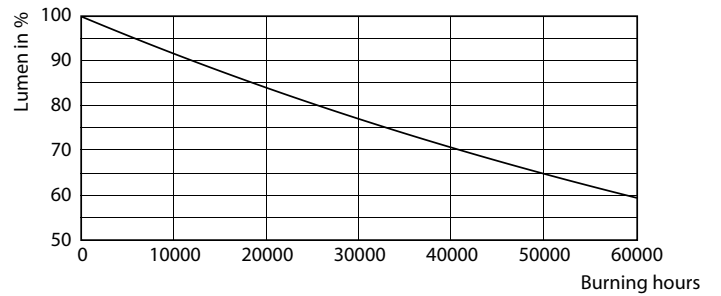


LEDspots MAS IC 7,5W MR16 GU5,3 940 24D-ADL

Lifetime



LEDspots LED 40K



LEDspots LMP 40K

