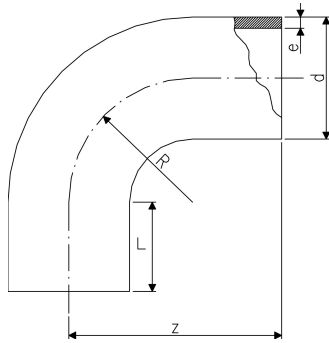




ELGEF Plus Bend 90° PE100
d50-1000mm / SDR17 / Long version

Model:

- 10 bar water
- Made out of seamless pipe
- Bends made out of seamless pipe shall not be shortened
- Radius 1.5 x d



d (mm)	DN (mm)	PN (bar)	SDR	Code	Weight (kg)	z (mm)	L (mm)	R (mm)	e (mm)
50	40	10	17	753 000 710	0.170	195	80	75	3.0
63	50	10	17	753 000 711	0.320	220	90	95	3.8
75	65	10	17	753 000 712	0.460	238	100	113	4.5
90	80	10	17	753 000 713	0.860	280	100	135	5.4
110	100	10	17	753 000 714	1.240	340	120	165	6.6
125	100	10	17	753 000 715	1.900	363	150	188	7.4
140	125	10	17	753 000 716	2.660	385	150	210	8.3
160	150	10	17	753 000 717	3.360	415	150	240	9.5
180	150	10	17	753 000 718	4.500	445	150	270	10.7
200	200	10	17	753 000 719	6.260	475	150	300	11.9
225	200	10	17	753 000 720	7.810	513	150	338	13.4
250	250	10	17	753 000 721	12.500	650	250	375	14.8
280	250	10	17	753 000 722	17.100	695	250	420	16.6
315	300	10	17	753 000 723	25.000	803	250	473	18.7
355	350	10	17	753 000 824	36.700	900	250	533	21.1
400	400	10	17	753 000 825	49.700	980	250	600	23.7
450	450	10	17	753 000 826	66.600	1070	250	675	26.7
500	500	10	17	753 000 827	87.400	1200	280	750	29.7
560	600	10	17	753 000 828	116.000	1290	280	840	33.2
630	600	10	17	753 000 829	159.600	1400	280	945	37.4
710	700	10	17	753 000 832	263.000	1415	400	1065	42.1
800	800	10	17	753 000 833	284.000	1550	400	1200	47.4
900	900	10	17	753 000 834	428.000	1750	450	1350	53.3
1000	1000	10	17	753 000 835	573.000	1900	450	1500	59.3

The technical data are not binding. They neither constitute expressly warranted characteristics nor guaranteed properties nor a guaranteed durability. They are subject to modification. Our General Terms of Sale apply.

Georg Fischer Piping Systems Ltd, Postfach, CH-8201 Schaffhausen/Switzerland

Phone +41 -(0)52-631 1111

e-mail: info.ps@georgfischer.com

Internet: <http://www.gfps.com>