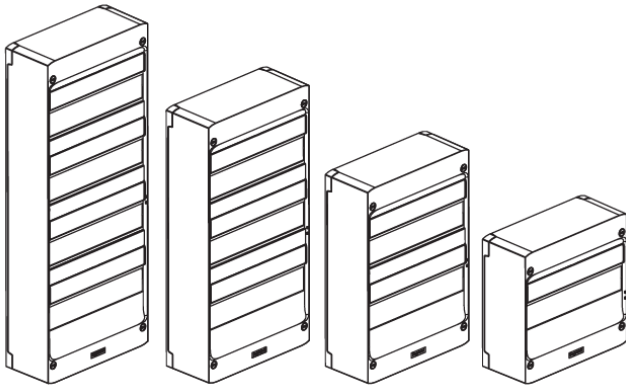


DRIVIA cabinets

Catalogue number(s):

4 012 11/12/13/14/16/17/18/19/21/22/23/24

4 013 11/12/13/14/21/22/23/24/61/62/63/64 - 0 930 20/21/22/23



CONTENTS PAGES

1. Description, use.....	1
2. Range, Cat. No. equivalence table...1	
3. Dimensions.....	1
4. General characteristics.....	2
5. Compliance and Approvals.....	2
6. Equipment supplied.....	3
7. Installation accessories.....	3-4-5-6

1. DESCRIPTION, USE

Cabinets with rows of 13 or 18 modules compliant with regulations governing public buildings and high-rise buildings in accordance with standard EN 60695-2-11. Conform to IEC 60670-24 and IEC 62 208.

For the production of assemblies certified according to IEC 61 439-3.

Can be mounted on housing service ducts or wall-mounted.

Adjustable and removable rails.

Space under rails: 40 mm

Distance between rails: 125 mm

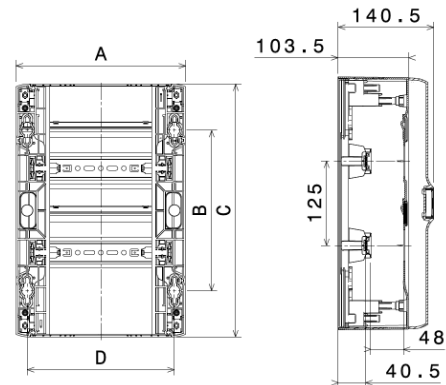
2. RANGE, CAT. NO. EQUIVALENCE TABLE

DRIVIA Cat. No.	Number of rows	Number of modules	Ekinoxe Cat. No.
4 012 11	1	13	0 012 11
4 012 12	2	26	0 012 12
4 012 13	3	39	0 012 13
4 012 14	4	52	0 012 14
4 012 16	1	13	0 012 16
4 012 17	2	26	0 012 17
4 012 18	3	39	0 012 18
4 012 19	4	52	0 012 19
4 012 21	1	18	-
4 012 22	2	36	-
4 012 23	3	54	-
4 012 24	4	72	-
4 013 11	1	13	0 013 11
4 013 12	2	26	0 013 12
4 013 13	3	39	0 013 13
4 013 14	4	52	0 013 14
4 013 21	1	13	0 013 21
4 013 22	2	26	0 013 22
4 013 23	3	39	0 013 23
4 013 24	4	52	0 013 24
4 013 61	1	13	0 013 61
4 013 62	2	26	0 013 62

DRIVIA Cat. No.	Number of rows	Number of modules	Ekinoxe Cat. No.
4 013 63	3	39	0 013 63
4 013 64	4	52	0 013 64
0 930 20	1	13	0 927 17
0 930 21	2	26	0 927 18
0 930 22	3	39	0 927 19
0 930 23	4	52	0 927 30

3. DIMENSIONS

13/18-module cabinets



		Dimensions (mm)				
		Cat. No.	A	B	C	D
13 M	4 012 11/16 - 0 930 20 4 013 11/21/61	250	113	250	217	
	4 012 12/17 - 0 930 21 4 013 12/22/62	250	238	375	217	
	4 012 13/18 - 0 930 22 4 013 13/23/63	250	363	500	217	
	4 012 14/19 - 0 930 23 4 013 14/24/64	250	488	625	217	
18 M	4 012 21	355	113	250	322	
	4 012 22	355	238	375	322	
	4 012 23	355	363	500	322	
	4 012 24	355	488	625	322	

4. GENERAL CHARACTERISTICS

4.1 Technical characteristics

- . Cover colour: White RAL 9003
- . Door colour: White RAL 9003 or transparent
- . Protection index: IP30 – IK05 without door
IP40 – IK07 with door
- . Self-extinguishing: 750°C (public buildings)
- . Insulated backplate for Cat. Nos.
4 012 16/17/18/19 – 4 013 21/22/23/24
- . Double insulation possible with insulated backplate (other Cat. Nos.)
- . Rated operating voltage: 400V AC – 50/60 Hz
- . Rated insulation voltage: 400V AC – 50/60 Hz
- . Rated impulse withstand voltage: Uimp = 6kV
- . Short-circuit current: 10 kA
- . Storage and installation temperature:
-20°C to + 70°C
- . Operating temperature: -10°C to + 40°C
- . Max. permissible current:
4 012 11/16 - 0 930 20 : 60A
4 013 11/21/61 : 60A
4 012 12/13/14/17/18/19/21/22/23/24 : 90A
0 930 21/22/23 : 90A
4 013 12/13/14/22/23/24/62/63/64 : 90A
- . Permissible loads : 40N per row
- . Power dissipation:

	13 modules	18 modules
1 row	27 W	28 W
2 rows	35 W	45 W
3 rows	52 W	67 W
4 rows	57 W	91 W

4.2 Materials

- . Cover, frame: high impact polystyrene
- . Door: polycarbonate
- . Handle: ABS + chrome
- . Labelling strip: polycarbonate
- . Rail supports: glass fibre filled polycarbonate
- . Cover screws: glass fibre filled polycarbonate
- . Rails: galvanised steel
- . Door release: polyamide
- . Hinge: polypropylene
- . Joining kit: glass fibre filled polycarbonate
- . Document holder: high impact polystyrene

4.3 Terminal block capacity

Cat. No.	Earth terminal block		Ph + N terminal block	
	Cage terminals	Automatic terminals	Screw terminals	
			6 - 25 (mm ²)	1.5 - 4 (mm ²)
4 012 11 0 930 20	5	9	-	-
4 012 12 0 930 21	5	18	1	5
4 012 13 0 930 22	5	27	1	5
4 012 14 0 930 23	5	27	1	5
4 012 21	5	27	-	-
4 012 22	5	27	1	5
4 012 23	5	36	1	5
4 012 24	5	45	1	5
4 012 16	5	9	-	-
4 012 17	5	18	-	-
4 012 18	5	27	-	-
4 012 19	5	27	-	-

Cat. No.	Earth terminal block		Neutral terminal block	
	Screw terminals		Screw terminals	
	6 - 25 (mm ²)	1.5 - 16 (mm ²)	6 - 25 (mm ²)	1.5 - 16 (mm ²)
4 013 11	1	12	-	-
4 013 12	1	21	-	-
4 013 13/14	1	26	-	-
4 013 21	1	12	1	12
4 013 22	1	16	1	16
4 013 23	1	21	1	21
4 013 24	1	26	1	26
4 013 61	1	12	1	12
4 013 62	1	21	1	21
4 013 63/64	1	26	1	26

Additional terminal blocks (see section 7.3, page 4)

4.4 Number of blanking plates

Cat. No.	5 modules	13 modules
4 012 11/16/21 0 930 20	1	-
4 012 12/17/22 0 930 21	2	-
4 012 13/18/23 0 930 22	1	1
4 012 14/19/24 0 930 23	2	1
4 013 11/21/61	1	-
4 013 12/22/62	2	-
4 013 13/23/63	2	1
4 013 14/24/64	2	1

5. COMPLIANCE AND APPROVALS

IEC 60670-24
IEC 62 208
NF C61-910
IEC 60695-2-11
RoHS
WEEE
REACH
PEP sheet
NF

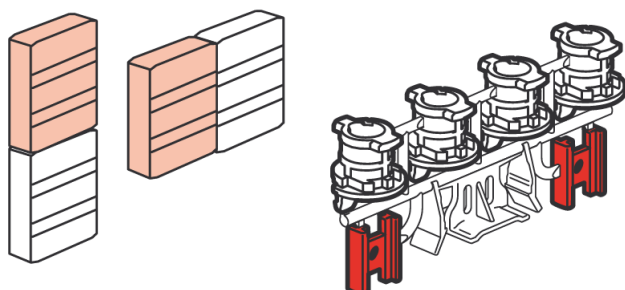
6. EQUIPMENT SUPPLIED

Cat. Nos. - 4 012 11/12/13/14/16/17/18/19/21/22/23/24
0 930 20/21/22/23

6.1 Joining

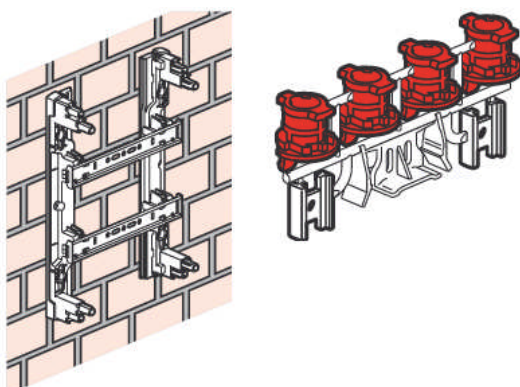
1 joining kit supplied per cabinet

- Vertical and horizontal joining

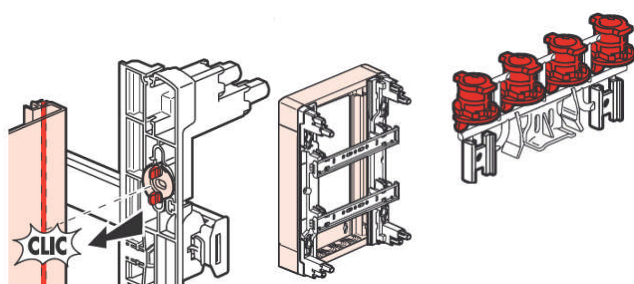


6.2 Fixing

- Fixing on any type of wall (adjustment of drilling error)

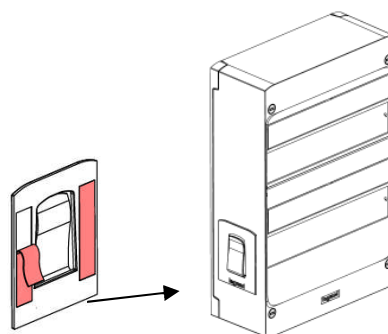


- Fixing on service duct with spacer



6.3 Adhesive document holder

Cat. Nos. - 4 012 11/12/13/14/16/17/18/19/21/22/23/24
0 930 20/21/22/23

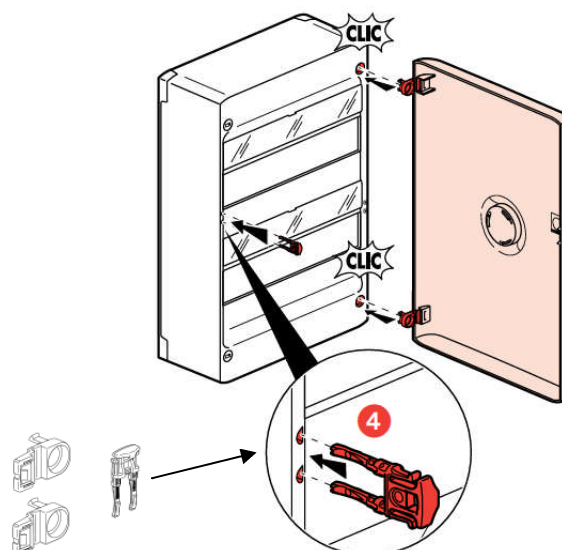


7. INSTALLATION ACCESSORIES

7.1 White or transparent doors

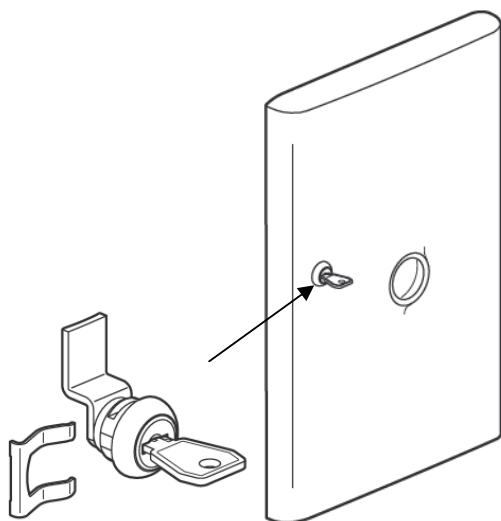
	White doors	Transparent doors
1R 13M	4 013 31	4 013 41
2R 13M	4 013 32	4 013 42
3R 13M	4 013 33	4 013 43
4R 13M	4 013 34	4 013 44
1R 18M	4 012 31	4 012 41
2R 18M	4 012 32	4 012 42
3R 18M	4 012 33	4 012 43
4R 18M	4 012 34	4 012 44
1R 13M DIY*	0 93 030	-
2R 13M DIY	0 93 031	-
3R 13M DIY*	0 93 032	-
4R 13M DIY*	0 93 033	-

* DIY: Do-It-Yourself Distribution
Door thickness: 37 mm



7. INSTALLATION ACCESSORIES (continued)

7.2 Key lock Cat. No. 4 013 91



7.3 Additional terminal blocks

IP 2X automatic connection earth terminal block for 13-module cabinet: Cat. No. 4 050 55
(capacity: 5x6 for 25 mm² + 27x1.5 for 4 mm²)

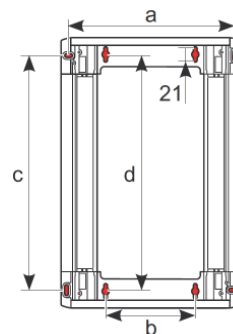
IP 2X automatic connection earth terminal block for 18-module cabinet: Cat. No. 4 050 57
(capacity: 5x6 for 25 mm² + 45x1.5 for 4 mm²)

IP 2X screw earth terminal block for 13-module cabinet:
Cat. No. 4 048 39
(capacity: 1x6 for 25 mm² + 26x1.5 for 16 mm²)

IP 2X 3-pole + neutral insulated terminal block for 13-module cabinet: Cat. No. 4 048 14
(1 neutral 1x4 for 25 mm² + 12x1.5 for 16 mm²) + (3 phases 4x1.5 for 16 mm²)

Support for additional terminal block for 13-module cabinet:
Cat. No. 4 048 18
28-hole empty support for unprotected screw terminal blocks and for IP2 terminal blocks.

7.4 Spacers (depth 50 mm)



Spacer for 13-module cabinets

Cat. No.	4 013 71	4 013 72	4 013 73	4 013 74
a	236	236	236	236
b	126	126	126	126
c	201	326	451	576
d	204	329	454	579

Spacer for 18-module cabinets

Cat. No.	4 012 71	4 012 72	4 012 73	4 012 74
a	341	341	341	341
b	231	231	231	231
c	201	326	451	576
d	204	329	454	579

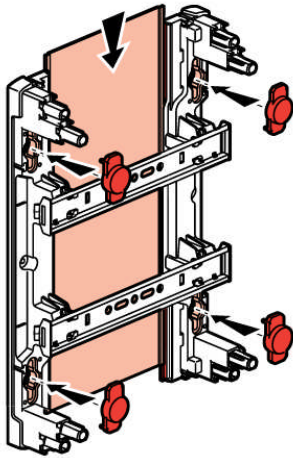
Spacer for 13-module cabinets + mounting plate

Réf.	4 013 81	4 013 82	4 013 83	4 013 84
a	233	233	233	233
b	126	126	126	126
c	426	551	676	801
d	429	554	679	804

7. INSTALLATION ACCESSORIES (continued)

7.5 Backplates supplied with caps to ensure double insulation

	Cabinet Cat. No.	Backplate Cat. No.
13M	4 012 11/16	4 013 51
	4 013 11/61 - 0 930 20	
	4 012 12/17	4 013 52
	4 013 12/62 - 0 930 21	
18M	4 012 13/18	4 013 53
	4 013 13/63 - 0 930 22	
	4 012 14/19	4 013 54
	4 013 14/64 - 0 930 23	
18M	4 012 21	4 012 51
	4 012 22	4 012 52
	4 012 23	4 012 53
	4 012 24	4 012 54



7.6 Mounting plates for subscriber headline MCCB

Conforming to NF C 61-910

For circuit-breaker only: Cat. No 4 011 91

For circuit-breaker and 3-phase electronic meter:
Cat. No. 4 011 83

Compliant with HN 62-S-80 specifications

For circuit-breaker and single-phase electronic meter:
Cat. No. 4 011 81

Compliant with ERDF-CPT-M&S Spe-10015A specifications

7.7 White RAL 9003 blanking plates

Can be separated for each module or half-module

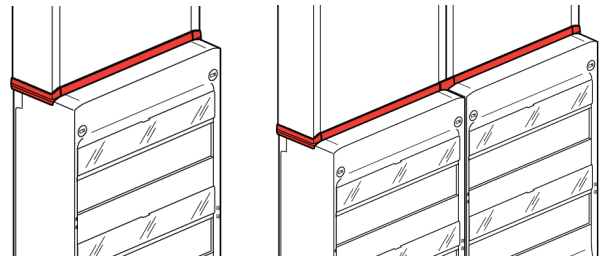
5 modules: Cat. No. 0 016 60

13 modules: Cat. No. 0 016 62

18 modules: Cat. No. 0 016 64

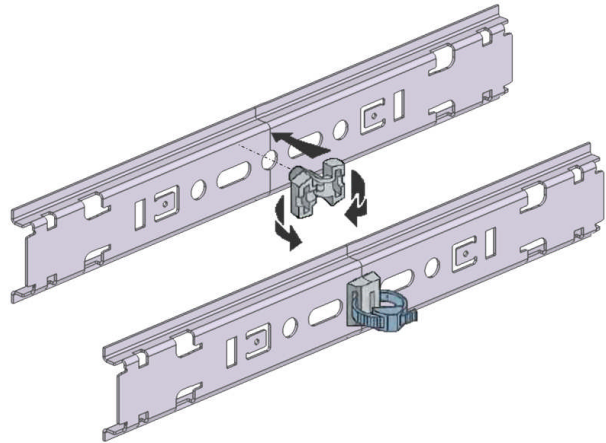
7.8 Finishing kit for cabinets mounted on housing service duct Cat. No. 4 013 94

For 13 and 18-module cabinets and service ducts



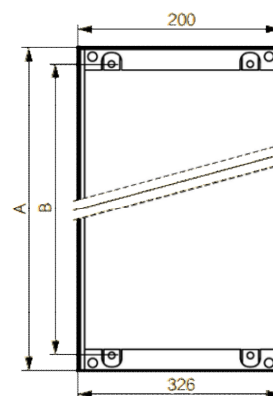
7.9 Locking clip

Locking clip for fixing cable ties to a rail: Cat. No 0 319 78



Functional earth connection

7.10 Covers for consumer unit (depth 126 mm)



Cat. No.	A	B
4 013 85	526	502
4 013 86	651	627
4 013 87	776	752

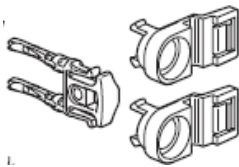
7. INSTALLATION ACCESSORIES (continued)

7.11 Adhesive document holder Cat. No. 4 013 89



7.12 Spare parts

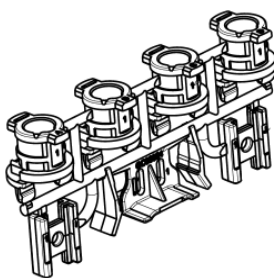
- Hinge and door release kit Cat. No. 9 803 74



- Pack of 20 cover screws Cat. No. 9 803 75



- Fixing kit Cat. No. 9 803 76



- Rail supports kit Cat. No. 9 803 77

