



MASTER LEDspot ExpertColor LV



MASTER LED ExpertColor 6.7-35W MR16 927 60D

MASTER LEDspot LV ExpertColor creates a warm and comfortable ambience for hospitality venues, homes and restaurants. It creates such an ambience with superior lighting that has a customized spectrum, high CRI, and deep dimming feature. The result? A beautiful lighting experience. What's more, the innovative, trimless lens design will suit almost any interior decor with its clean and neat look. In addition, you can take advantage of the full ExpertColor family, which also includes LEDspot MV and LEDspot Par lamps.

Product data

General information		Color Rendering Index (Nom)		97	
Cap-Base	GU5.3 [GU5.3]	LLMF At End Of Nominal Lifetime (Nom)	70 %		
CE mark	Yes	Luminous Flux in 90° Cone (Rated)	400 lm		
EU RoHS compliant	Yes	Operating and electrical			
Nominal Lifetime (Nom)	40000 h	Input Frequency	- Hz		
Switching Cycle	50000	Power (Nom)	6.7 W		
Flux measurement reference	Narrow Cone	Lamp Current (Nom)	650 mA		
Tier	MASTER	Wattage Equivalent	35 W		
Light technical		Starting Time (Nom)	0.5 s		
Color Code	927 [CCT of 2700K]	Warm Up Time to 60% Light (Nom)	0.5 s		
Beam Angle (Nom)	60 °	Power Factor (Nom)	0.7		
Luminous Flux (Nom)	400 lm	Voltage (Nom)	ac electronic 12 V		
Luminous Intensity (Nom)	410 cd	Temperature			
Color Designation	Warm White (WW)	T-Case Maximum (Nom)	92 °C		
Correlated Color Temperature (Nom)	2700 K				
Luminous Efficacy (rated) (Nom)	59.00 lm/W				
Color Consistency	<3				

MASTER LEDspot ExpertColor LV

Controls and dimming

Dimmable Only with specific dimmers

Mechanical and housing

Bulb Shape MR16 [2inch/50mm]

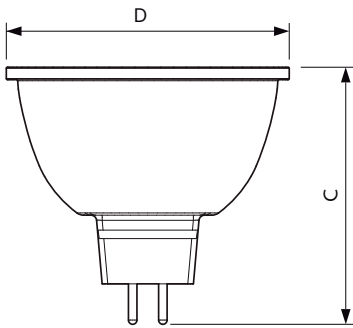
Approval and application

Energy Efficiency Class G
Suitable For Accent Lighting Yes
Energy Consumption kWh/1000 h 7 kWh
EPREL Registration Number 624205

Product data

Full product code 871951435877500
Order product name MASTER LED ExpertColor 6.7-35W MR16 927 60D
EAN/UPC - Product 8719514358775
Order code 929003078502
Numerator - Quantity Per Pack 1
Numerator - Packs per outer box 10
Material Nr. (12NC) 929003078502
Net Weight (Piece) 0.052 kg

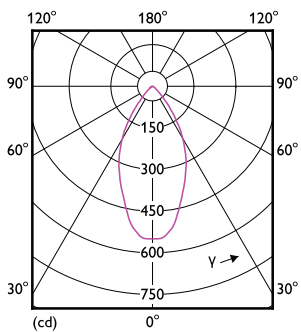
Dimensional drawing



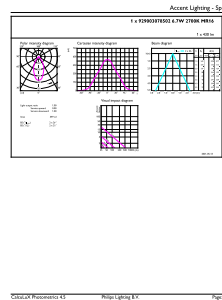
MASTER LED ExpertColor 6.7-35W MR16 927 60D

Product	D	C
MASTER LED ExpertColor 6.7-35W MR16 927 60D	50.5 mm	46 mm

Photometric data



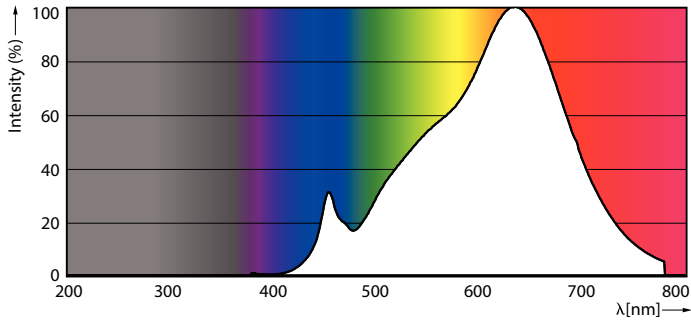
LEDspots MAS IC 6,7W MR16 GU5,3 927 60D-LDD



LEDspots MAS IC 6,7W MR16 GU5,3 927 60D-ADL

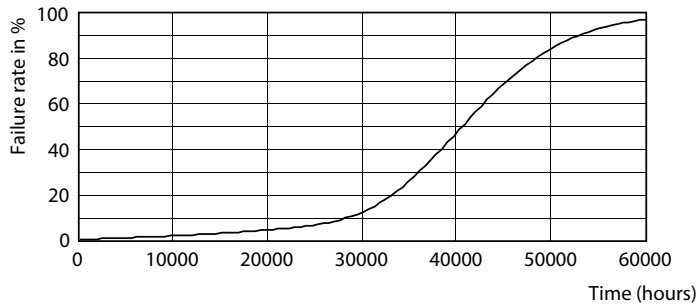
MASTER LEDspot ExpertColor LV

Photometric data



LEDspots MAS IC 6,7W MR16 GU5,3 927 60D-POC

Lifetime



Life Expectancy Diagram



Lumen Maintenance Diagram

