



# MASTER LEDspot ExpertColor LV

## MASTER LED ExpertColor 6.7-35W MR16 930 24D

MASTER LEDspot LV ExpertColor creates a warm and comfortable ambience for hospitality venues, homes and restaurants. It creates such an ambience with superior lighting that has a customized spectrum, high CRI, and deep dimming feature. The result? A beautiful lighting experience. What's more, the innovative, trimless lens design will suit almost any interior decor with its clean and neat look. In addition, you can take advantage of the full ExpertColor family, which also includes LEDspot MV and LEDspot Par lamps.

### Product data

General information	
Cap-Base	GU5.3 [ GU5.3]
CE mark	Yes
EU RoHS compliant	Yes
Nominal Lifetime (Nom)	40000 h
Switching Cycle	50000
Flux measurement reference	Narrow Cone
Tier	MASTER
Light technical	
Color Code	930 [ CCT of 3000K]
Beam Angle (Nom)	24 °
Luminous Flux (Nom)	440 lm
Luminous Intensity (Nom)	2200 cd
Color Designation	White (WH)
Correlated Color Temperature (Nom)	3000 K
Luminous Efficacy (rated) (Nom)	65.00 lm/W
Color Consistency	<3

Color Rendering Index (Nom)	97
LLMF At End Of Nominal Lifetime (Nom)	70 %
Luminous Flux in 90° Cone (Rated)	440 lm
Operating and electrical	
Input Frequency	- Hz
Power (Nom)	6.7 W
Lamp Current (Nom)	650 mA
Wattage Equivalent	35 W
Starting Time (Nom)	0.5 s
Warm Up Time to 60% Light (Nom)	0.5 s
Power Factor (Nom)	0.7
Voltage (Nom)	ac electronic 12 V
Temperature	
T-Case Maximum (Nom)	92 °C

# MASTER LEDspot ExpertColor LV

## Controls and dimming

**Dimmable** Only with specific dimmers

## Mechanical and housing

**Bulb Shape** MR16 [ 2inch/50mm]

## Approval and application

**Energy Efficiency Class** G

**Suitable For Accent Lighting** Yes

**Energy Consumption kWh/1000 h** 7 kWh

**EPREL Registration Number** 624214

## Product data

**Full product code** 871951435855300

**Order product name** MASTER LED ExpertColor 6.7-35W MR16 930 24D

**EAN/UPC - Product** 8719514358553

**Order code** 929003079202

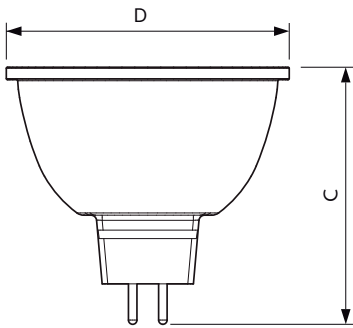
**Numerator - Quantity Per Pack** 1

**Numerator - Packs per outer box** 10

**Material Nr. (12NC)** 929003079202

**Net Weight (Piece)** 0.052 kg

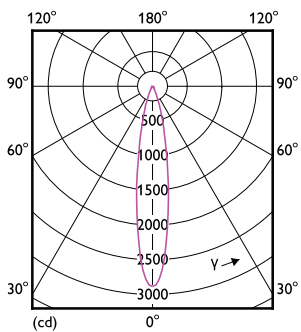
## Dimensional drawing



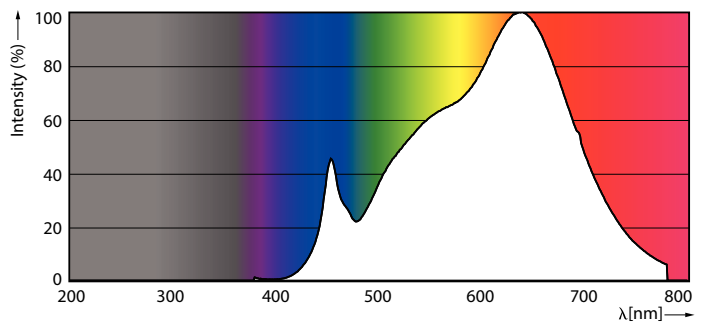
MASTER LED ExpertColor 6.7-35W MR16 930 24D

Product	D	C
MASTER LED ExpertColor 6.7-35W MR16 930 24D	50.5 mm	46 mm

## Photometric data



LEDspots MAS IC 6,7W MR16 GU5,3 930 24D-LDD



LEDspots MAS IC 6,7W MR16 GU5,3 930 60D-POC

