



MASTER CityWhite CDO-TT

MASTER CityWhite CDO-TT Plus 70W/828 E27

Ceramic metal halide lamp with clear tubular outer bulb shape, used in outdoor offering pleasant white light

Warnings and Safety

- Use only in totally enclosed luminaire, even during testing (IEC61167, IEC 62035, IEC60598)
- The luminaire must be able to contain hot lamp parts if the lamp ruptures
- Lamps may use electromagnetic control gear or electronic gear suitable to drive CDO lamps (e.g. HID-PV Xt CDO)
- Control gear must include end-of-life protection (IEC61167, IEC 62035)
- Warm restart time can be up to 15 minutes; T15 ignitors therefore advised
- A lamp breaking is extremely unlikely to have any impact on your health. If a lamp breaks, ventilate the room for 30 minutes and remove the parts, preferably with gloves. Put them in a sealed plastic bag and take it to your local waste facilities for recycling. Do not use a vacuum cleaner.

Product data

General information	
Cap-Base	E27 [E27]
Operating Position	UNIVERSAL [Any or Universal (U)]
Life to 5% Failures (Nom)	13000 h
Life To 10% Failures (Nom)	15000 h
Life to 20% Failures (Nom)	17000 h
Life to 50% Failures (Nom)	27000 h
LSF 2000 h Rated	99 %
LSF 4000 h Rated	99 %
LSF 6000 h Rated	98 %
LSF 8000 h Rated	96 %
LSF 12000 h Rated	90 %
LSF 16000 h Rated	81 %

LSF 20000 h Rated	71 %
Flux measurement reference	Sphere
Light technical	
Color Code	828 [CCT of 2800K]
Luminous Flux (Nom)	7750 lm
Luminous Flux (Rated) (Nom)	7750 lm
Color Designation	Warm White (WW)
Chromaticity Coordinate X (Nom)	0.447
Chromaticity Coordinate Y (Nom)	0.4
Correlated Color Temperature (Nom)	2800 K
Luminous Efficacy (rated) (Nom)	105 lm/W
Color Rendering Index (Min)	83

MASTER CityWhite CDO-TT

Color Rendering Index (Nom)	86
LLMF 2000 h Rated	97 %
LLMF 4000 h Rated	93 %
LLMF 6000 h Rated	89.5 %
LLMF 8000 h Rated	86 %
LLMF 12000 h Rated	80.5 %
LLMF 16000 h Rated	76.5 %
LLMF 20000 h Rated	73.5 %
Ratio Scotopic/Photopic Lumens	1.30

Operating and electrical

Power (Nom)	73.5 W
Lamp Current Run-Up (Max)	2 A
Lamp Current (EM) (Nom)	0.96 A
Ignition Peak Voltage (Max)	2500 V
Ignition Supply Voltage (Min)	198 V
Re-Ignition Time (Min) (Max)	720 s
Ignition Time (Max)	30 s
Voltage (Max)	101 V
Voltage (Min)	85 V
Voltage (Nom)	91 V

Controls and dimming

Dimmable	Yes
Run-Up Time 90% (Max)	3 min

Mechanical and housing

Bulb Finish	Clear
Bulb Shape	T35 [T 35mm]

Approval and application

Energy Efficiency Class	F
Mercury (Hg) Content (Max)	7.8 mg
Mercury (Hg) Content (Nom)	7.8 mg
Energy Consumption kWh/1000 h	74 kWh
EPREL Registration Number	473324

UV

Pet (Niosh) (Min)	8 h/500lx
-------------------	-----------

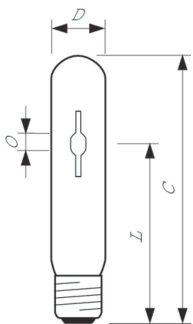
Luminaire design requirements

Bulb Temperature (Max)	350 °C
Cap-Base Temperature (Max)	200 °C
Cap-Base Temperature (Max)-DUP(do not use)	392 °F

Product data

Full product code	871829112030800
Order product name	MASTER CityWhite CDO-TT Plus 70W/828 E27
EAN/UPC - Product	8718291120308
Order code	928082019235
Numerator - Quantity Per Pack	1
Local code description	LAMPADA HALETTO METALICO CDO- TT-P70W828
Numerator - Packs per outer box	12
Material Nr. (12NC)	928082019235
Net Weight (Piece)	0.048 kg
ILCOS Code	MT-70/828-H-E27-39/156

Dimensional drawing

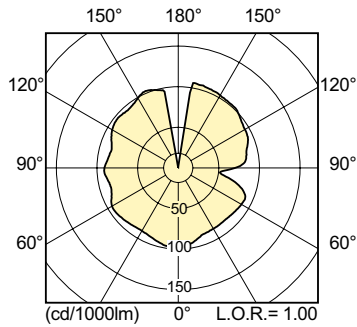


MASTER CityWhite CDO-TT Plus 70W/828 E27

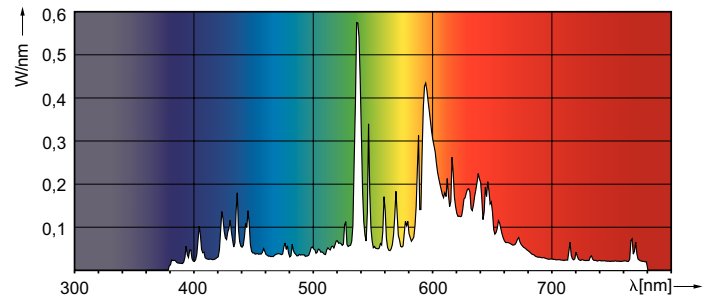
Product	D (max)	O	L	C (max)
MASTER CityWhite CDO-TT Plus 70W/828 E27	36 mm	7.15 mm	102 mm	156 mm

MASTER CityWhite CDO-TT

Photometric data

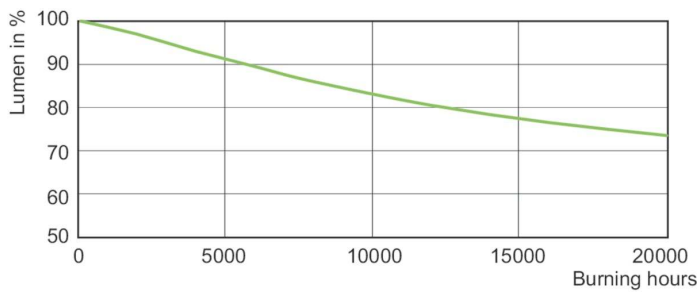


LDLD_CDO-TT_0001-Light distribution diagram

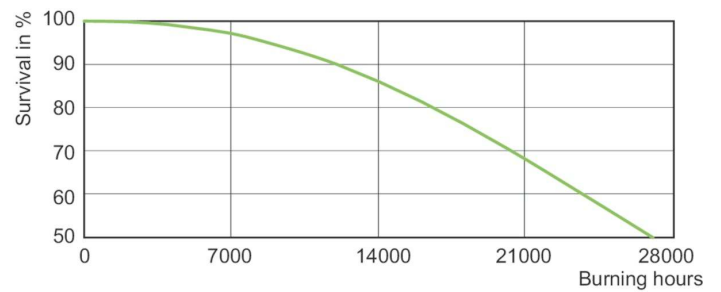


LDPO_CDO-TT_0002-Spectral power distribution Colour

Lifetime



MASTER CityWhite CDO-ET Plus CDO-TT Plus 70W/828 E27



LDLE_CDO-TT_0001-Life expectancy diagram

