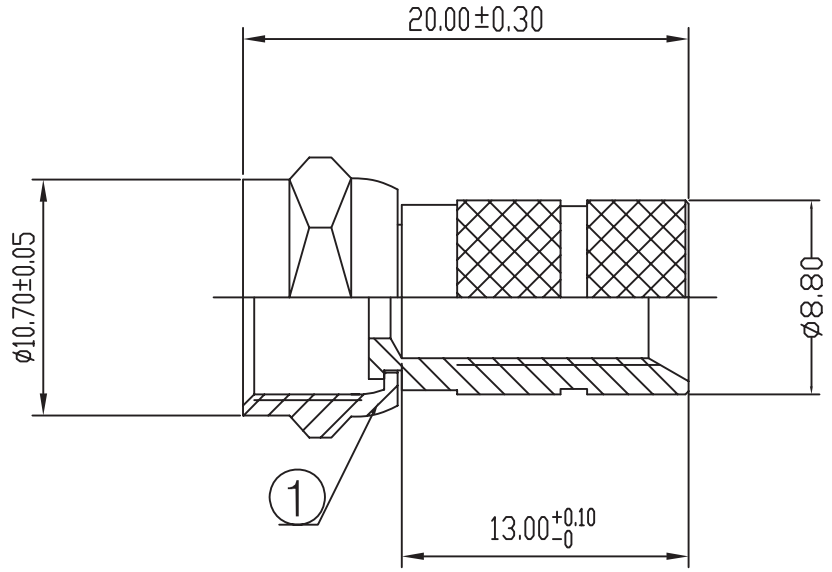
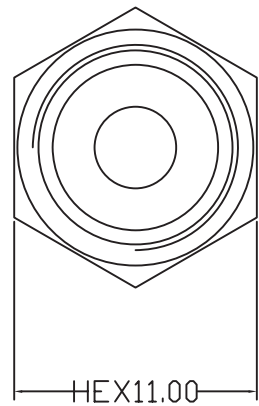


BY	CHK	REVISION RECORD MODIFICATIONS	DATE	REV.
Jimmy	Dayi	RELEASE TO PRODUCTION	2007.03.15	A.0



Notes:

- 1.Electrical Test:
  - (1.1).100% Open Short and Miss Wire Test.
  - (1.2).Insulation Resistance:DC300V/0.01S 500K ohm MIN.
  - (1.3).Conduct Resistance:5ohm MAX.
- 2.ROHS Standard

①	F PLUG	Brass Material,Shell:Gold Plated,RG59 Assembling Type	1PC
NO.	PARTS NO.	Parts Name	Specification
			Q`TY

APPROVED	CHECKED	DRAWN	CUSTOMER:	SWDELTAO
			ITEM NO.	DEL-653
			DRAW NO.	CB043-C252
			UNIT	mm
			SCALE	NONE

DESCRIPTION:  
F PLUG (RG59)

