



MASTER CityWhite CDO-TT



MASTER CityWhite CDO-TT Plus 70W/942 E27

Ceramic metal halide lamp with clear tubular outer bulb shape, used in outdoor offering pleasant white light

Warnings and Safety

- Use only in totally enclosed luminaire, even during testing (IEC61167, IEC 62035, IEC60598)
- The luminaire must be able to contain hot lamp parts if the lamp ruptures
- Lamps may use electromagnetic control gear or electronic gear suitable to drive CDO lamps (e.g. HID-PV Xt CDO)
- Control gear must include end-of-life protection (IEC61167, IEC 62035)
- Warm restart time can be up to 15 minutes; T15 ignitors therefore advised
- A lamp breaking is extremely unlikely to have any impact on your health. If a lamp breaks, ventilate the room for 30 minutes and remove the parts, preferably with gloves. Put them in a sealed plastic bag and take it to your local waste facilities for recycling. Do not use a vacuum cleaner.

Product data

General information	
Cap-Base	E27 [E27]
Operating Position	UNIVERSAL [Any or Universal (U)]
Life to 5% Failures (Nom)	6000 h
Life To 10% Failures (Nom)	8000 h
Life to 20% Failures (Nom)	12000 h
Life to 50% Failures (Nom)	20000 h
LSF 2000 h Rated	99 %
LSF 4000 h Rated	98 %
LSF 6000 h Rated	95 %
LSF 8000 h Rated	91 %
LSF 12000 h Rated	80 %
LSF 16000 h Rated	65 %

LSF 20000 h Rated	50 %
Flux measurement reference	Sphere
Light technical	
Color Code	942 [CCT of 4200K]
Luminous Flux (Nom)	7500 lm
Luminous Flux (Rated) (Nom)	7500 lm
Color Designation	Cool White (CW)
Chromaticity Coordinate X (Nom)	0.371
Chromaticity Coordinate Y (Nom)	0.366
Correlated Color Temperature (Nom)	4200 K
Luminous Efficacy (rated) (Nom)	101 lm/W
Color Rendering Index (Nom)	90

MASTER CityWhite CDO-TT

LLMF 2000 h Rated	92 %
LLMF 4000 h Rated	87 %
LLMF 6000 h Rated	84 %
LLMF 8000 h Rated	83 %
LLMF 12000 h Rated	80 %
LLMF 16000 h Rated	75 %
LLMF 20000 h Rated	70 %
Ratio Scotopic/Photopic Lumens	1.86

Operating and electrical

Power (Nom)	74.0 W
Lamp Current (EM) (Nom)	0.77 A
Ignition Supply Voltage (Min)	198 V
Re-Ignition Time (Min) (Max)	720 s
Ignition Time (Max)	30 s
Voltage (Nom)	96 V

Controls and dimming

Dimmable	Yes
Run-Up Time 90% (Max)	4 min

Mechanical and housing

Bulb Finish	Clear
Bulb Shape	T35 [T 35mm]

Approval and application

Energy Efficiency Class	F
Mercury (Hg) Content (Max)	6.6 mg

Mercury (Hg) Content (Nom)	6.6 mg
Energy Consumption kWh/1000 h	74 kWh
EPREL Registration Number	473332

UV

Pet (Niosh) (Min)	8 h/500lx
Damage Factor D/fc (Max)	0.6

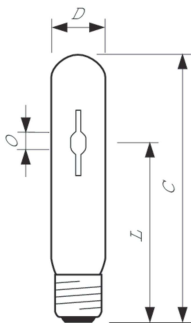
Luminaire design requirements

Bulb Temperature (Max)	350 °C
Cap-Base Temperature (Max)	200 °C
Cap-Base Temperature (Max)-DUP(do not use)	392 °F

Product data

Full product code	871869659679100
Order product name	MASTER CityWhite CDO-TT Plus 70W/942 E27
EAN/UPC - Product	8718696596791
Order code	928082619230
Numerator - Quantity Per Pack	1
Local code description	LAMPADA HALETO METALICO CDO- TT-P70W942
Numerator - Packs per outer box	12
Material Nr. (12NC)	928082619230
Net Weight (Piece)	48.000 g
ILCOS Code	MT-70/942-H-E27-39/156

Dimensional drawing

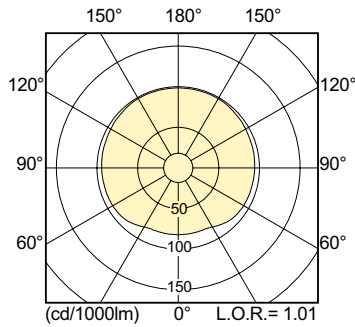


MASTER CityWhite CDO-TT Plus 70W/942 E27

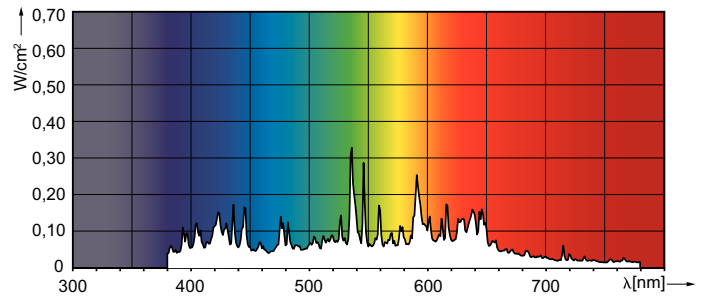
Product	D (max)	O	L	C (max)
MASTER CityWhite CDO-TT Plus 70W/942 E27	36 mm	7.75 mm	102 mm	156 mm

MASTER CityWhite CDO-TT

Photometric data

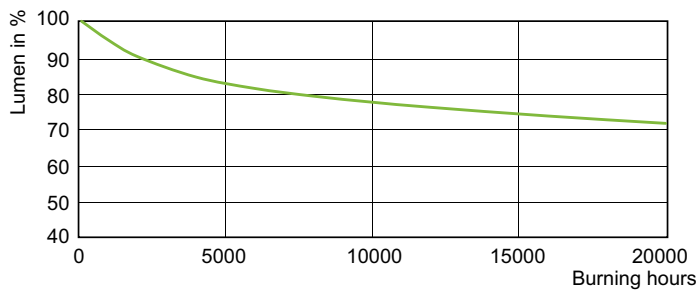


HID, CDO-TT Plus 70W /942 E27

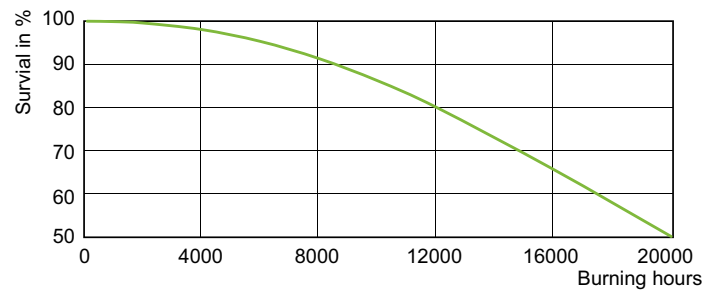


HID, CDO-TT Plus 70W /942 E27

Lifetime



HID, CDO-TT Plus 70W, 150W /942



HID, CDO-TT Plus 70W, 150W /942

