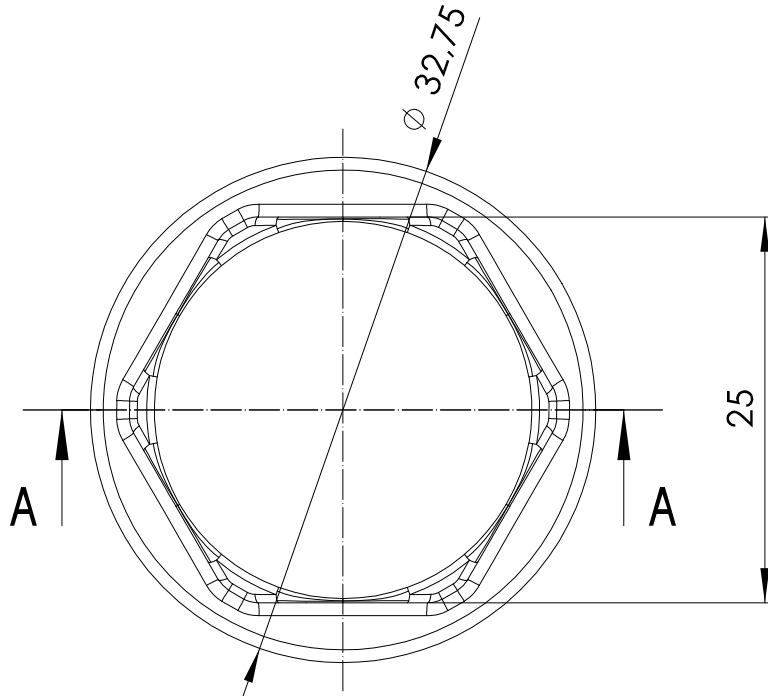
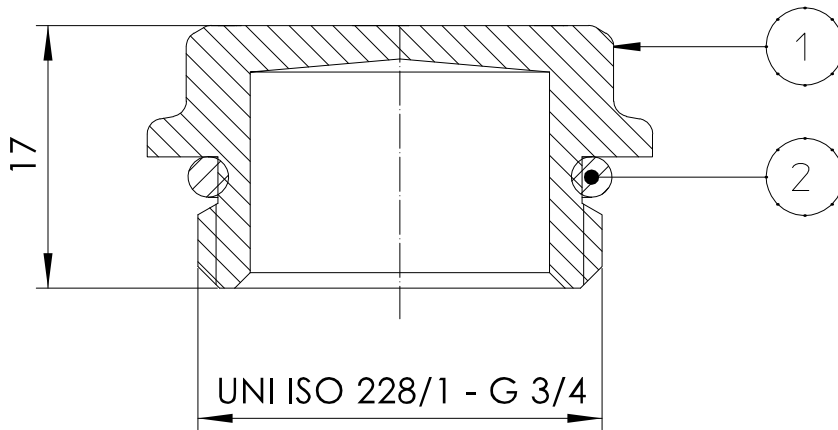



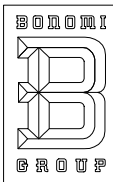
Sez A-A



Pos.	DESCRIZIONE / PART NAME	MATERIALE / MATERIAL	NORMA MATERIALE / MATERIAL STANDARD	TRATTAMENTO / TREATMENT	N° Pz.
1	-	OTTONE\BRASS CW 617N	UNI EN 12420	SLT	1
2	O-RING	EPDM PEROX		-	1

REV.	DATA/DATE	FIRMA/SIGNATURE	DESCRIZIONE/DESCRIPTION

DISEGNATORE/DRAW BY	RESPONSABILE/APPROVED BY	DESCRIZIONE	6799-1 3/4_TAPPO SN/NIC.E OR
---------------------	--------------------------	-------------	------------------------------

		DESCRIPTION	DATA/DATE	CODICE DISEGNO/DRAWING CODE	REV.	TAV.
			16/03/2021	6799050001	A	01

ACCORDING TO THE LAW IT IS FORBIDDEN ANY REPRODUCTION