


# Standard electronic ballast for Compact lamps

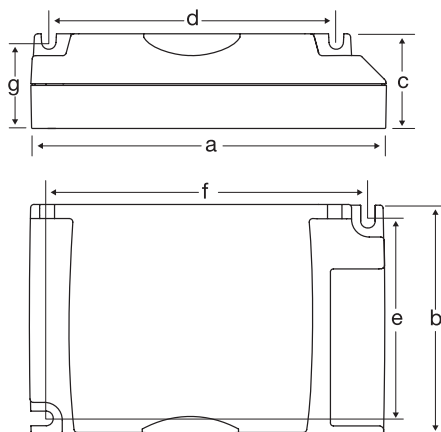
9-42W 220-240V 50-60Hz

-  Optimum Cathode Control
- Slim only 28mm high
- Multilamp operation
- Single and twin lamp operation
- Low power losses
- Suitable for independent use with installation box



## Dimensions

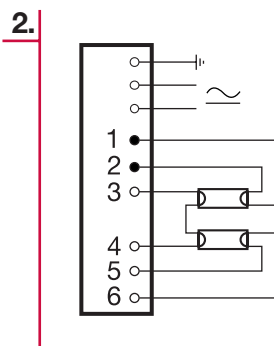
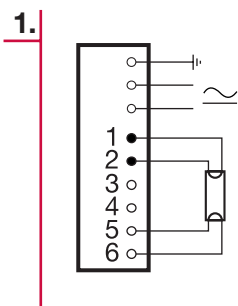
LENGTH 'a' (mm)	103,5
WIDTH 'b' (mm)	67
HEIGHT 'c' (mm)	28
'd' (mm)	83,5
'e' (mm)	57,5
'f' (mm)	93,5
'g' (mm)	25,5



Lamp type	W	No. of lamps	Ballast	EEL	Wiring no.	Weight (g)	Circuit power (W)	Mains current (A)	Power factor	Operating frequency (kHz)	Lamp power (W)
TC-L	18	1	EL1/2x18-42TCs	A2	1	132	17	0.08	0.94	70	14.8
		2	EL1/2x18-42TCs	A2	2	132	32	0.14	0.97	70	14.8
	24	1	EL1/2x18-42TCs	A2	1	132	26	0.12	0.95	70	23
		2	EL1/2x18-42TCs	A2	2	132	48	0.21	0.98	70	22.3
TC-F	18	1	EL1/2x18-42TCs	A2	1	132	17	0.08	0.94	70	14.8
		2	EL1/2x18-42TCs	A2	2	132	32	0.14	0.97	70	14.8
	24	1	EL1/2x18-42TCs	A2	1	132	26	0.12	0.95	70	23
		2	EL1/2x18-42TCs	A2	2	132	48	0.21	0.98	70	22.3
TC-DE	10	1	EL1/2x9-13TCs	A2	1	118	10	0.05	0.9	65	8.9
		2	EL1/2x9-13TCs	A2	2	118	20	0.09	0.97	65	8.9
	13	1	EL1/2x9-13TCs	A2	1	118	15	0.07	0.94	65	13.8
		2	EL1/2x9-13TCs	A2	2	118	28	0.13	0.98	65	13.5
18	1	EL1/2x18TCs	A2	1	120	19	0.09	0.96	67	16.9	
	2	EL1/2x18TCs	A2	2	120	36	0.16	0.98	67	16.9	
26	1	EL1/2x18-42TCs	A2	1	132	27	0.13	0.96	70	24.7	
	2	EL1/2x18-42TCs	A2	2	132	51	0.23	0.98	70	23.8	
TC-TE	13	1	EL1/2x9-13TCs	A2	1	118	15	0.07	0.94	65	13.8
		2	EL1/2x9-13TCs	A2	2	118	28	0.13	0.98	65	13.5
	18	1	EL1/2x18TCs	A2	1	120	19	0.09	0.96	67	16.9
		2	EL1/2x18TCs	A2	2	120	36	0.16	0.98	67	16.9
	26	1	EL1/2x18-42TCs	A2	1	132	27	0.13	0.96	70	24.7
		2	EL1/2x18-42TCs	A2	2	132	51	0.23	0.98	70	23.8
32	1	EL1/2x18-42TCs	A2	1	132	32	0.15	0.97	70	29.4	
	2	EL2x32/42TCs	A2	2	132	64	0.29	0.98	70	28.5	
42	1	EL1/2x18-42TCs	A2	1	132	44	0.2	0.98	70	42.2	
	2	EL2x32/42TCs *	A2	2	132	85	0.38	0.98	70	40.5	
TC-SE	9	1	EL1/2x9-13TCs	A2	1	118	10	0.05	0.9	65	8.5
		2	EL1/2x9-13TCs	A2	2	118	18	0.08	0.96	65	8.5
	11	1	EL1/2x9-13TCs	A2	1	118	14	0.07	0.93	65	12.8
		2	EL1/2x9-13TCs	A2	2	118	27	0.12	0.98	65	12.9
T5c	22	1	EL1/2x18-42TCs	A2	1	132	25	0.12	0.95	70	22.6
	40	1	EL1/2x18-42TCs	A2	1	132	41	0.19	0.98	70	38.6
	22+40	2	EL2x32/42TCs	A2	2	132	64	0.28	0.98	70	21.8 / 38

## Connection diagrams

**NOTE:** All wiring to the connectors marked with a black dot; • (hot wires) should be as short as possible.



## Technical characteristics

Max. temperature at tc point	70°C
Ambient temperature range	-20...+50°C *
Storage temperature range	-40...+70°C
Maximum relative humidity	no condensation
Number of starts per lamp, typical	>50 000
Operating voltage AC/DC	190-264V
Battery voltage	176-280 VDC **
Over voltage duration	320VAC / 1h
Maximum working voltage (Uout)	250V ***
Lifetime (90% survival)	50 000h at Tc max
Max length of ballast to lamp wiring 2m	
Ignition time	~1s

## Standards

General requirements	EN 61347-1
Safety requirements	EN 61347-2-3
Performance requirements	EN 60929
Lamp life	EN 60901
Mains current harmonics	EN 61000-3-2
Radio Frequency Interference	EN 55015
Immunity standard (EMC)	EN 61547
Vibration test	EN 60068-2-64 test Fh
Bump test	EN 60068-2-29 test Eb
Thermal protection class	EN 61347, B.6.2e
DC use requirements	EN 60925, EN 61347-2-4

\* Measured with lamps using cold spot technology \*\* For 2x42W lamp, DC range is 190-280V \*\*\* EL2x32/42TCs 300V