



# MASTER LEDspot ExpertColor AR111



## MAS ExpertColor 10.8-50W 927 AR111 40D

MASTER LEDspot LV ExpertColor creates a warm and comfortable ambience for hospitality venues, homes and restaurants. It creates such an ambience with superior lighting that has a customized spectrum, high CRI, and deep dimming feature. The result? A beautiful lighting experience. What's more, the innovative, trimless lens design will suit almost any interior decor with its clean and neat look. In addition, you can take advantage of the full ExpertColor family, which also includes LEDspot MV and LEDspot Par lamps.

### Product data

General information		Color Rendering Index (Nom)	
Cap-Base	G53 [ G53]		95
CE mark	Yes	LLMF At End Of Nominal Lifetime (Nom)	70 %
EU RoHS compliant	Yes	Luminous Flux in 90° Cone (Rated)	600 lm
Nominal Lifetime (Nom)	40000 h	<b>Operating and electrical</b>	
Switching Cycle	50000	Input Frequency	50 to 60 Hz
Flux measurement reference	Narrow Cone	Power (Nom)	10.8 W
Tier	MASTER	Lamp Current (Nom)	1000 mA
		Wattage Equivalent	50 W
		Starting Time (Nom)	0.5 s
		Warm Up Time to 60% Light (Nom)	0.5 s
		Power Factor (Nom)	0.7
		Voltage (Nom)	ac electronic 12 V
		<b>Temperature</b>	
		T-Case Maximum (Nom)	70 °C
Light technical			
Color Code	927 [ CCT of 2700K]		
Beam Angle (Nom)	40 °		
Luminous Flux (Nom)	600 lm		
Luminous Intensity (Nom)	1200 cd		
Color Designation	Warm White (WW)		
Correlated Color Temperature (Nom)	2700 K		
Luminous Efficacy (rated) (Nom)	55 lm/W		
Color Consistency	<4		

# MASTER LEDspot ExpertColor AR111

## Controls and dimming

Dimmable	Only with specific dimmers
----------	----------------------------

## Mechanical and housing

Bulb Finish	Clear
Bulb Shape	AR111

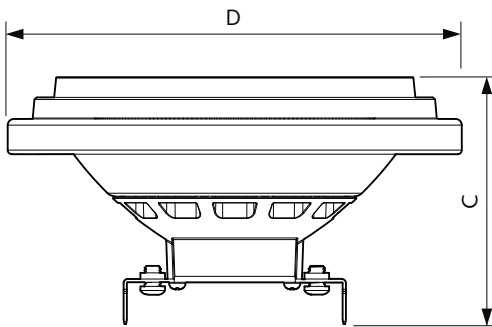
## Approval and application

Energy Efficiency Class	G
Suitable For Accent Lighting	Yes
Energy Consumption kWh/1000 h	11 kWh
EPREL Registration Number	648254

## Product data

Full product code	871951433395600
Order product name	MAS ExpertColor 10.8-50W 927 AR111 40D
EAN/UPC - Product	8719514333956
Order code	929003043402
Numerator - Quantity Per Pack	1
Numerator - Packs per outer box	6
Material Nr. (12NC)	929003043402
Net Weight (Piece)	0.160 kg

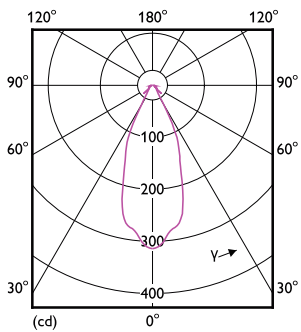
## Dimensional drawing



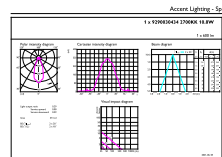
MAS ExpertColor 10.8-50W 927 AR111 40D

Product	D	C
MAS ExpertColor 10.8-50W 927 AR111 40D	111 mm	61 mm

## Photometric data



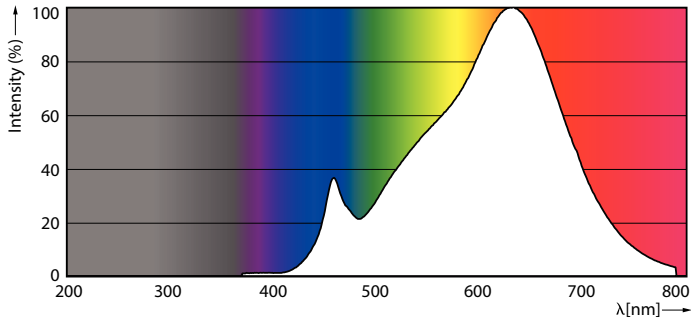
LEDspots MAS SLR 10,8W AR111 G53 927 40D-LDD LDD



LEDspots MAS SLR 10,8W AR111 G53 927 40D-ADL ADL

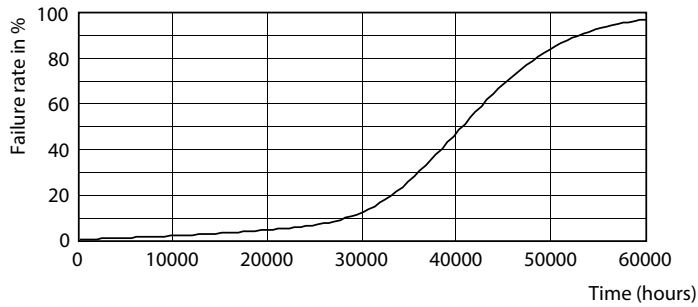
# MASTER LEDspot ExpertColor AR111

## Photometric data



LEDspots MAS SLR 10,8W AR111 G53 927 9D-POC POC

## Lifetime



Life Expectancy Diagram



Lumen Maintenance Diagram

