



MASTER LEDspot ExpertColor LV

MASTER LED ExpertColor 7.5-43W MR16 940 36D

MASTER LEDspot LV ExpertColor creates a warm and comfortable ambience for hospitality venues, homes and restaurants. It creates such an ambience with superior lighting that has a customized spectrum, high CRI, and deep dimming feature. The result? A beautiful lighting experience. What's more, the innovative, trimless lens design will suit almost any interior decor with its clean and neat look. In addition, you can take advantage of the full ExpertColor family, which also includes LEDspot MV and LEDspot Par lamps.

Product data

| General information | |
|------------------------------------|---------------------|
| Cap-Base | GU5.3 [GU5.3] |
| CE mark | Yes |
| EU RoHS compliant | Yes |
| Nominal Lifetime (Nom) | 40000 h |
| Switching Cycle | 50000 |
| Flux measurement reference | Narrow Cone |
| Tier | MASTER |
| Light technical | |
| Color Code | 940 [CCT of 4000K] |
| Beam Angle (Nom) | 36 ° |
| Luminous Flux (Nom) | 520 lm |
| Luminous Intensity (Nom) | 1650 cd |
| Color Designation | Cool White (CW) |
| Correlated Color Temperature (Nom) | 4000 K |
| Luminous Efficacy (rated) (Nom) | 69.00 lm/W |
| Color Consistency | <3 |

| Color Rendering Index (Nom) | 92 |
|---------------------------------------|--------------------|
| LLMF At End Of Nominal Lifetime (Nom) | 70 % |
| Luminous Flux in 90° Cone (Rated) | 520 lm |
| Operating and electrical | |
| Input Frequency | - Hz |
| Power (Nom) | 7.5 W |
| Lamp Current (Nom) | 720 mA |
| Wattage Equivalent | 43 W |
| Starting Time (Nom) | 0.5 s |
| Warm Up Time to 60% Light (Nom) | 0.5 s |
| Power Factor (Nom) | 0.7 |
| Voltage (Nom) | ac electronic 12 V |
| Temperature | |
| T-Case Maximum (Nom) | 93 °C |

MASTER LEDspot ExpertColor LV

Controls and dimming

| | |
|----------|----------------------------|
| Dimmable | Only with specific dimmers |
|----------|----------------------------|

Mechanical and housing

| | |
|------------|--------------------|
| Bulb Shape | MR16 [2inch/50mm] |
|------------|--------------------|

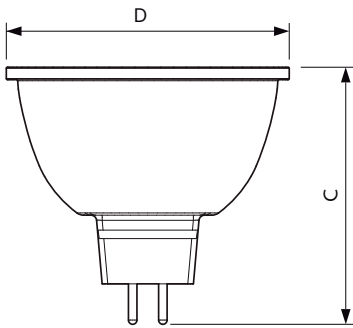
Approval and application

| | |
|-------------------------------|--------|
| Energy Efficiency Class | G |
| Suitable For Accent Lighting | Yes |
| Energy Consumption kWh/1000 h | 8 kWh |
| EPREL Registration Number | 624219 |

Product data

| | |
|---------------------------------|---|
| Full product code | 871951435875100 |
| Order product name | MASTER LED ExpertColor 7.5-43W MR16 940 36D |
| EAN/UPC - Product | 8719514358751 |
| Order code | 929003080202 |
| Numerator - Quantity Per Pack | 1 |
| Numerator - Packs per outer box | 10 |
| Material Nr. (12NC) | 929003080202 |
| Net Weight (Piece) | 0.052 kg |

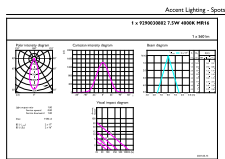
Dimensional drawing



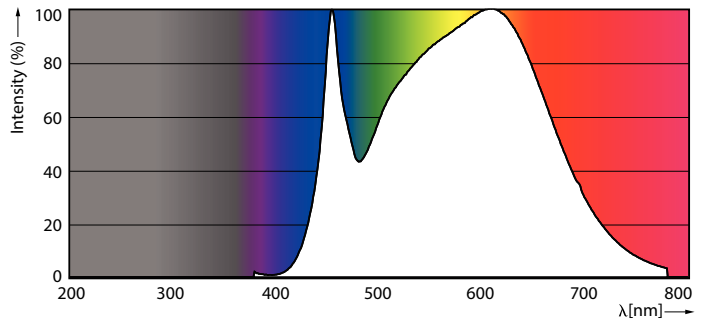
MASTER LED ExpertColor 7.5-43W MR16 940 36D

| Product | D | C |
|---|---------|-------|
| MASTER LED ExpertColor 7.5-43W MR16 940 36D | 50.5 mm | 46 mm |

Photometric data



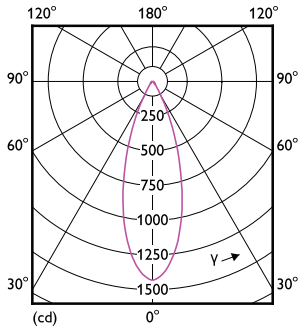
LEDspots MAS IC 7,5W MR16 GU5,3 940 36D-ADL



LED-spot MAS IC 7,5W MR16 GU5,3 940 24D-POC

MASTER LEDspot ExpertColor LV

Photometric data



LEDspots MAS IC 7,5W MR16 GU5,3 940 36D-LDD

Lifetime



Life Expectancy Diagram



Lumen Maintenance Diagram

