

NEW RANGE OF CABINETS

# DRIVIA™

Innovation  
at your service



THE GLOBAL SPECIALIST IN ELECTRICAL AND  
DIGITAL BUILDING INFRASTRUCTURES

 **legrand®**

# Drivia

## true innovation...

THE NEW ELECTRICAL  
PANEL FOR THE  
RESIDENTIAL AND SMALL  
BUSINESS APPLICATIONS

To meet the requirements of professionals, Legrand has developed a new range of surface mounting cabinets specially designed for residential sites. Available in 18 or 13-module widths with 1, 2, 3 or 4 rows, these cabinets have an array of innovative features which simplify wiring and installation, providing high performance on sites



# ...in a new range

**13**  
MODULES

**18**  
MODULES



**1 TO 4 ROW CABINETS  
SUPPLIED WITH:**

- IP2X neutral and earth terminal blocks, screw connection terminals
- Blanking plates
- Sheet of labels

**OPTIONAL  
ACCESSORIES**

- White or transparent doors
- Height extensions
- Backplates (to obtain Class II)
- Key lock
- Adhesive document holder

**1 TO 4 ROW CABINETS  
SUPPLIED WITH:**

- IP2X phase, neutral and earth terminal blocks, with automatic connection terminals
- Blanking plates
- Sheet of labels
- Mounting accessories
- Joining accessories
- Adhesive document holder

**OPTIONAL  
ACCESSORIES**

- White or transparent doors
- Height extensions
- Backplates (to obtain Class II)
- Key lock



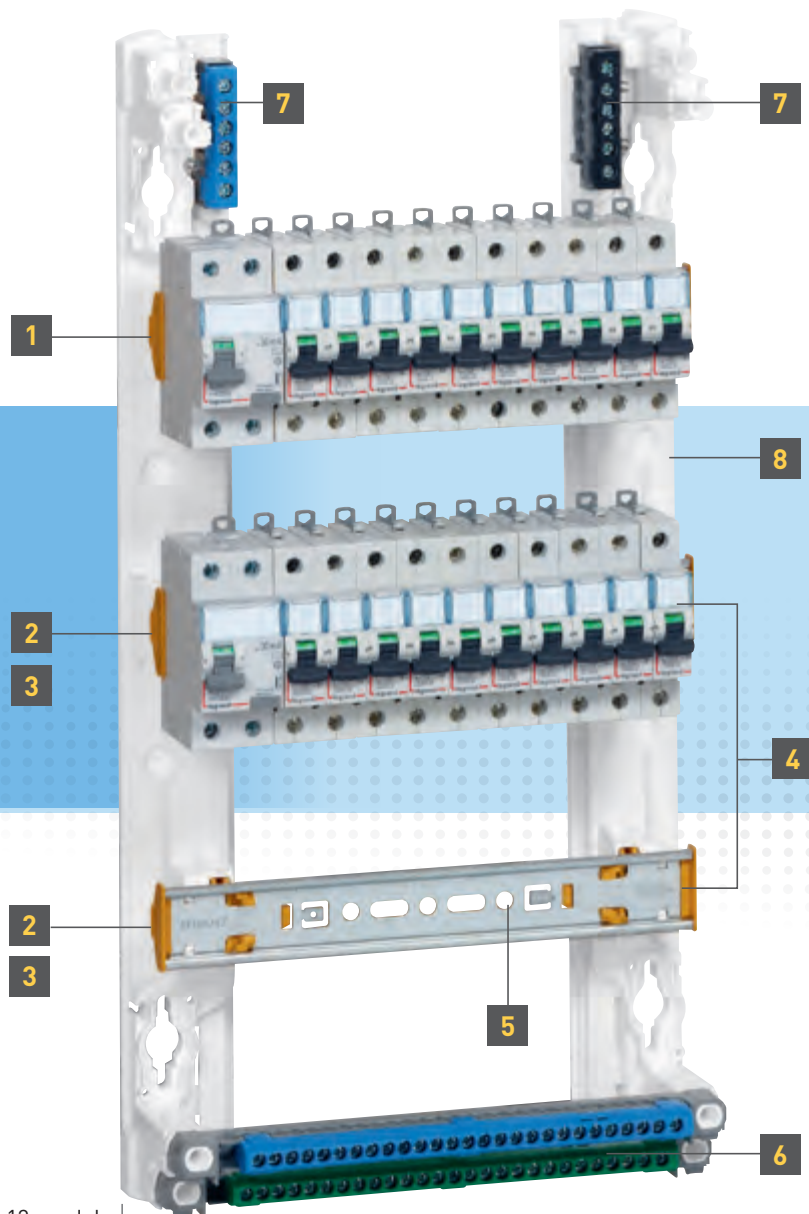
# Optimum

## ease of wiring

### INNOVATIVE FEATURES FOR WINNING SITES

With its innovative Legrand features, Drivia makes every step in the process to install the electrical panel straightforward and easy, saving you time. All the components of the cabinet, including the chassis, terminal blocks and rails, have clever features which optimise product wiring and mounting

2

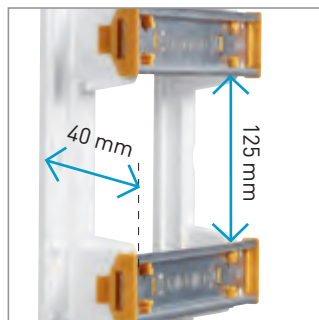


13-module cabinet



INNOVATION

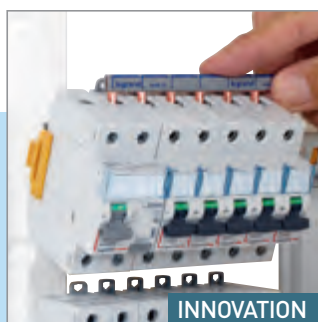
**1 TOOL-FREE RAIL REMOVAL**  
The rail is easy to unclip at the sides without any tool.



**4 OPTIMISED WIRING SPACE**  
125 mm distance between the rails (for easier insertion of the vertical supply busbar). Depth under the rail: 40 mm for easier cable management.

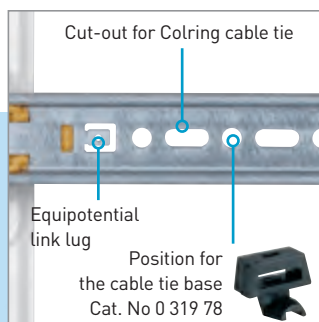


**7 PHASE AND NEUTRAL TERMINAL BLOCKS ON THE SIDES\***  
Tool-free removal.  
Can be installed at the top or the bottom of the cabinet

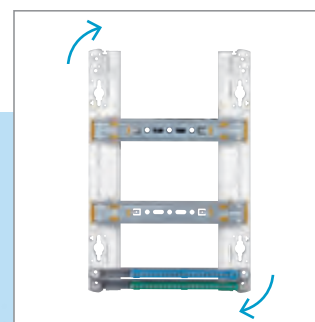


INNOVATION

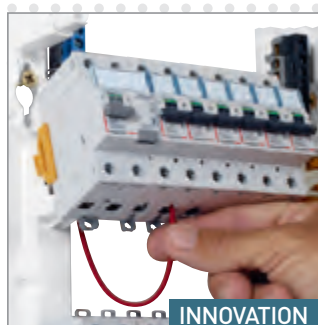
**2 RAIL CAN BE TILTED DOWNWARDS**  
For easy installation of supply busbars



**5 MULTIFUNCTION RAILS**  
The rails can take non-modular or multimedia products (easy earthing for low voltage products)

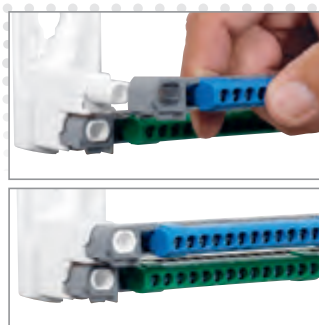


**5 REVERSIBLE CHASSIS**  
Maximum flexibility during installation: the cabinet can be installed either up or down depending on required configurations



INNOVATION

**3 RAIL CAN BE TILTED UPWARDS**  
To access the terminals for easy wiring



**6 EARTH AND NEUTRAL TERMINAL BLOCKS**  
Tool-free removal  
2 possible mounting positions, at the top and bottom of the cabinet

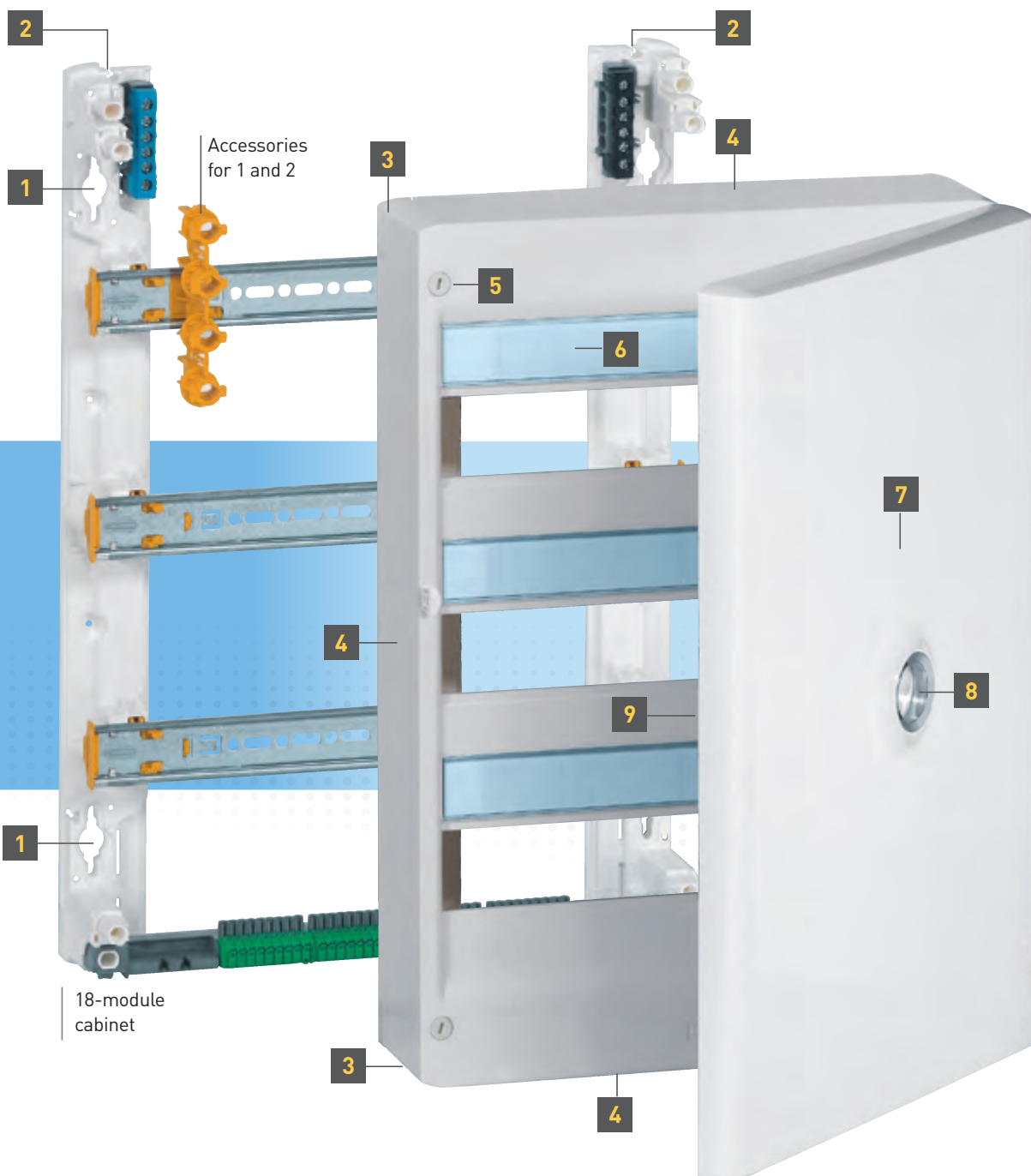
\*Available as an option for 13-module cabinets

# Easy to install

stylish & easy to use

DRIVIA IS SIMPLE,  
ATTRACTIVE AND PRACTICAL.  
IT IS THE NEW STANDARD  
FOR CABINETS

Perfect fitting and assembly, easy cable entry,  
simple labelling and original door design of  
Drivia mean you can be sure of a successful  
installation





**INNOVATION**

**1 GUIDED WALL MOUNTING**  
The Drivia accessory provides vertical level adjustment for 18-module cabinets



**4 CABLE ENTRIES**  
Faceplate has cut-outs at the top and bottom to take different sized trunking, and on the sides for different diameter conduits



**7 DOORS**  
White or transparent.  
Protect the installation.  
To be ordered separately



**INNOVATION**

**2 JOINING CABINETS TOGETHER**  
The linking accessories are used to join 18-module cabinets vertically or horizontally



**5 EXTRA-STRONG DOOR**  
Strong, unobtrusive, integrated hinges [supplied with the door]



**8 ORIGINAL DESIGN**  
Opening handle integrated in the centre of the white or transparent doors



**3 SY TO FIT**  
Cover alignment system and cleverly-designed chassis shape for a perfect finish when joining cabinets



**6 EASY MARKING OF THE CIRCUITS**  
Strong, tilt-open transparent marker holder.  
Sheet of labels supplied with the cabinet



**9 WIRING DIAGRAM EASILY ACCESSIBLE**  
An adhesive document-holder can be attached to the inside of the door.  
Available as an option with 13-module cabinets

# DRIVIA™ 13

cabinets with 13 modules per row



4 013 63



4 013 63 without cover



4 013 62 + 4 013 32



4 013 33



4 013 43

**Technical characteristics p. 7**

Self-extinguishing: glow wire resistance 750 °C  
Comply with standard 60670-24

Pack	Cat.Nos	<b>Cabinets with 13 modules per row</b>				
		Comply with standard IEC 60670-24 White RAL 9003 - 3-position tiltable, removable rails - Space under rails: 40 mm - Distance between rails: 125 mm - Class II with insulated backplates (p. 7) - IP 30 - IK 05 (IP 40 - IK 07 with door) Supplied with: - IP 2X screw connection terminal block for earth - IP 2X screw connection terminal block for neutral Terminal block capacities given on technical page (p. 7) - Blanking plates can be separated for each module or half-module - Sheet of labels and labelling strip for modular devices - 1 label-holder per row Wall mounting				
		No. of rows	No. of modules	Height (mm)	Width (mm)	Depth (mm)
1	4 013 61	1	13	250	250	103.5
1	4 013 62	2	26	375	250	103.5
1	4 013 63	3	39	500	250	103.5
1	4 013 64	4	52	625	250	103.5

Pack	Cat.Nos	<b>IP 40 - IK 07 doors</b>	
		Invisible, prefitted hinges Take locks Cat.No 4 013 91 (p. 7)	
		<b>White RAL 9003</b>	
1	4 013 31	For cabinet Cat.No 4 013 61	
1	4 013 32	For cabinet Cat.No 4 013 62	
1	4 013 33	For cabinet Cat.No 4 013 63	
1	4 013 34	For cabinet Cat.No 4 013 64	
		<b>Transparent</b>	
1	4 013 41	For cabinet Cat.No 4 013 61	
1	4 013 42	For cabinet Cat.No 4 013 62	
1	4 013 43	For cabinet Cat.No 4 013 63	
1	4 013 44	For cabinet Cat.No 4 013 64	



## DRIVIA™ 13

cabinets with 13 modules per row



4 013 73

4 013 53

Self-extinguishing: glow wire resistance 750 °C  
Comply with standard IEC 60670-24

### Pack Cat.Nos Height extensions for DRIVIA 13 cabinets

Pack	Cat.Nos	Height extensions for DRIVIA 13 cabinets
		White RAL 9003 Depth 50 mm For increasing the wiring capacity of the cabinets
1	4 013 71	For cabinets with 1 row
1	4 013 72	For cabinets with 2 rows
1	4 013 73	For cabinets with 3 rows
1	4 013 74	For cabinets with 4 rows

### Backplates

Pack	Cat.Nos	Backplates
		Used to obtain class II insulation For use on DRIVIA 13 cabinets or 13-module height extensions
1	4 013 51	For cabinets with 1 row
1	4 013 52	For cabinets with 2 rows
1	4 013 53	For cabinets with 3 rows
1	4 013 54	For cabinets with 4 rows

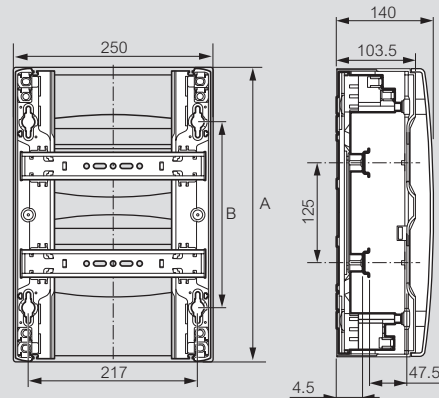
### Accessories for DRIVIA 13 cabinets

1	4 048 39	<b>Screw earth terminal block</b> 1 x 6 to 25 mm <sup>2</sup> + 26 x 1.5 to 16 mm <sup>2</sup> (length 227 mm)
1	4 048 14	<b>IP 2X 3-phase + neutral insulated terminal block</b> 1 neutral 1 x 4 to 25 mm <sup>2</sup> + 12 x 1.5 to 16 mm <sup>2</sup> + 3 phases: 4 x 1.5 to 16 mm <sup>2</sup> (length 227 mm)
1	4 048 18	<b>Empty support for additional terminal blocks</b> Empty support with 28 holes (length 227 mm) Takes unprotected screw terminal blocks
1	4 013 91	<b>Key lock</b> No. 850
10	4 013 89	<b>Document holder</b> Adhesive, for attaching to DRIVIA 13/18-module cabinets or doors

## DRIVIA™ 13

cabinets with 13 modules per row

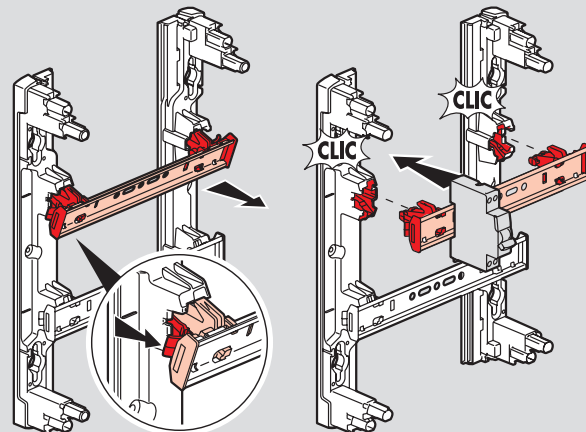
### Cabinets with 13 modules per row



Distance between rails: 125 mm

Cat.No	A	B
4 013 61	250	113
4 013 62	375	238
4 013 63	500	363
4 013 64	625	488

### Tiltable and removable rails



### Terminal blocks (number of connections) and blanking plates

Cat.Nos	Screw connection earth terminal blocks		Screw connection neutral terminal blocks		Number of blanking plates	
	6 - 25 (mm <sup>2</sup> )	1.5 - 16 (mm <sup>2</sup> )	6 - 25 (mm <sup>2</sup> )	1.5 - 16 (mm <sup>2</sup> )	5 modules	13 modules
4 013 61	1	12	1	12	1	-
4 013 62	1	21	1	21	2	-
4 013 63	1	26	1	26	1	1
4 013 64	1	26	1	26	2	1

# DRIVIA™ 18

## cabinets with 18 modules per row



Technical characteristics p. 9

Self-extinguishing: glow wire resistance 750 °C  
Complies with standard IEC 60670-24

Pack	Cat.Nos	<b>Cabinets with 18 modules per row</b>				
		<b>White RAL 9003</b> - 3-position tiltable, removable rails - Space under rails: 40 mm - Distance between rails: 125 mm - Class II with insulated backplates - IP 30 - IK 05 (IP 40 - IK 07 with door) Supplied with: - IP 2X automatic connection terminal block for earth - IP 2X phase and neutral terminal blocks (except for Cat.No 4 012 21) Terminal block capacities given on technical page (p. 9) - Blanking plates can be separated for each module or half-module - DRIVIA clip wall mounting accessories - DRIVIA easy horizontal/vertical joining accessories (for 2 cabinets) - Adhesive document holder - Sheet of labels and labelling strip for modular devices - 1 label-holder per row Wall mounting				
		No. of rows	No. of modules	Height (mm)	Width (mm)	Depth (mm)
1	4 012 21	1	18	250	355	103.5
1	4 012 22	2	36	375	355	103.5
1	4 012 23	3	54	500	355	103.5
1	4 012 24	4	72	625	355	103.5

Pack	Cat.Nos	<b>IP 40 - IK 07 doors</b>				
		Invisible, prefitted hinges Take locks Cat.No 4 013 91 <b>White RAL 9003</b> For cabinet Cat.No 4 012 21 For cabinet Cat.No 4 012 22 For cabinet Cat.No 4 012 23 For cabinet Cat.No 4 012 24 <b>Transparent</b> For cabinet Cat.No 4 012 21 For cabinet Cat.No 4 012 22 For cabinet Cat.No 4 012 23 For cabinet Cat.No 4 012 24				
1	4 012 31					
1	4 012 32					
1	4 012 33					
1	4 012 34					
1	4 012 41					
1	4 012 42					
1	4 012 43					
1	4 012 44					

Pack	Cat.Nos	<b>Height extensions for 18-module DRIVIA cabinets</b>	
		White RAL 9003 Depth 50 mm For increasing the wiring capacity	
1	4 012 71	For cabinets with 1 row	
1	4 012 72	For cabinets with 2 rows	
1	4 012 73	For cabinets with 3 rows	
1	4 012 74	For cabinets with 4 rows	

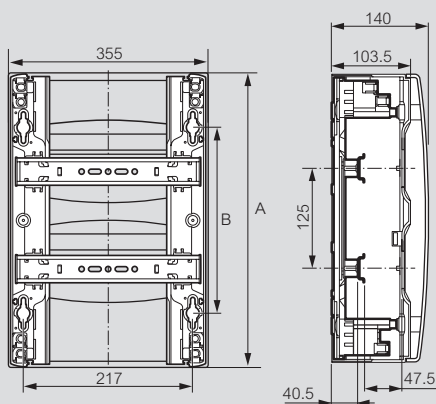
Pack	Cat.Nos	<b>Backplates</b>	
		Used to obtain class II insulation For use on DRIVIA 18 cabinets or 18-module height extensions	
1	4 012 51	For cabinets with 1 row	
1	4 012 52	For cabinets with 2 rows	
1	4 012 53	For cabinets with 3 rows	
1	4 012 54	For cabinets with 4 rows	

Pack	Cat.Nos	<b>Accessories for 18-module DRIVIA cabinets</b>	
1	4 050 57	<b>5 + 45 automatic connection earth terminal block</b> 5 x 6 to 25 mm <sup>2</sup> + 45 x 1.5 to 4 mm <sup>2</sup> (length 332 mm)	
1	4 013 91	<b>Key lock</b> No. 850	
10	4 013 89	<b>Document holder</b> Adhesive, for attaching to DRIVIA 13/18-module cabinets or doors	

# DRIVIA™ 18

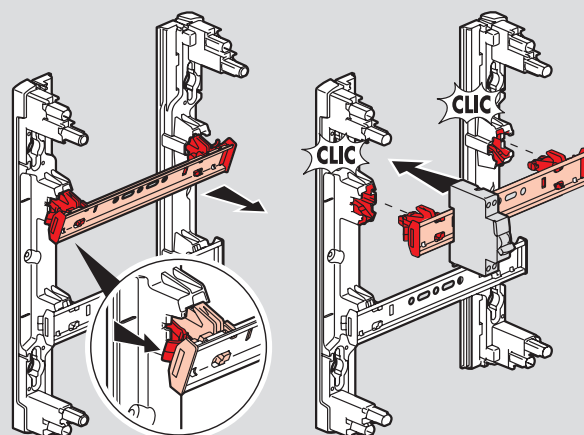
cabinets with 18 modules per row

## Cabinets with 18 modules per row



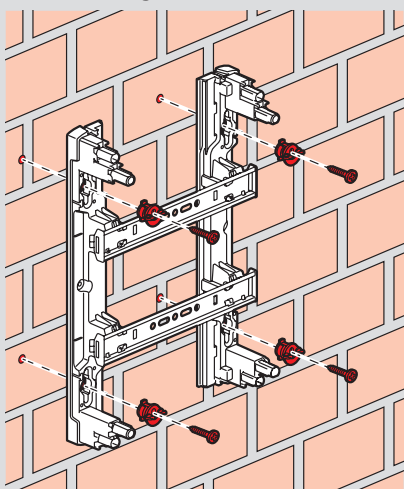
Cat.No	A	B
4 012 21	250	113
4 012 22	375	238
4 012 23	500	363
4 012 24	625	488

## Tiltable removable rails



## DRIVIA Clip mounting accessories

### Wall mounting



## Terminal blocks (number of connections) and blanking plates

Cat.No	Earth terminal blocks		Ph + N terminal blocks		Number of blanking plates	
	Cage terminals 6 - 25 (mm <sup>2</sup> )	Automatic terminals 1.5 - 4 (mm <sup>2</sup> )	Screw terminals		5 modules	13 modules
			10 - 35 (mm <sup>2</sup> )	6 - 25 (mm <sup>2</sup> )		
4 012 21	5	27	-	-	1	-
4 012 22	5	27	1	5	2	-
4 012 23	5	36	1	5	1	1
4 012 24	5	45	1	5	2	1



FOLLOW US  
ALSO ON

@ [www.legrand.com](http://www.legrand.com)

 [www.youtube.com/legrand](http://www.youtube.com/legrand)

 [twitter.com/@legrand](https://twitter.com/@legrand)

EXB13023 - May 2013 - Getty



**Head office**

and International Department  
87045 Limoges Cedex - France

☎ : + 33 (0) 5 55 06 87 87

Fax: + 33 (0) 5 55 06 74 55