



# MASTER LEDspot ExpertColor AR111



## MAS ExpertColor 14.8-75W 927 AR111 24D

The MASTER LEDspot LV ExpertColor creates a warm and comfortable ambience for hospitality venues, homes and restaurants. It creates ambience with superior lighting that has a customised spectrum, high CRI and deep dimming features. The result? A beautiful lighting experience. What's more, the innovative, trimless lens design will also suit almost any interior decor with its clean and neat look. In addition, you can take advantage of the full ExpertColor family, which also includes LEDspot LV and LEDspot Par lamps.

### Product data

General information	
Cap base	G53 [ G53]
EU RoHS compliant	Yes
Nominal lifetime (nom.)	40000 h
Switching cycle	50000
	Narrow Cone
Tier	MASTER
Light technical	
Colour Code	927 [ CCT of 2,700 K]
Beam Angle (Nom)	24 °
Luminous flux (nom.)	875 lm
Luminous intensity (nom.)	3000 cd
Colour designation	Warm white (WW)
Correlated Colour Temperature (Nom)	2700 K
Luminous efficacy (rated) (nom.)	59 lm/W
Colour consistency	<4
Colour rendering index (nom.)	95

LLMF at end of nominal lifetime (nom.)	70 %
Luminous flux in 90° cone (rated)	875 lm
Operating and electrical	
Input frequency	50 to 60 Hz
Power (Rated) (Nom)	14.8 W
Lamp current (nom.)	1500 mA
Wattage equivalent	75 W
Starting time (nom.)	0.5 s
Warm-up time to 60% light (nom.)	0.5 s
Power factor (nom.)	0.7
Voltage (Nom)	ac electronic 12 V
Temperature	
T-Case maximum (nom.)	85 °C

# MASTER LEDspot ExpertColor AR111

## Controls and dimming

Dimmable	Only with specific dimmers
----------	----------------------------

## Mechanical and housing

Lamp Finish	Clear
Bulb shape	AR111

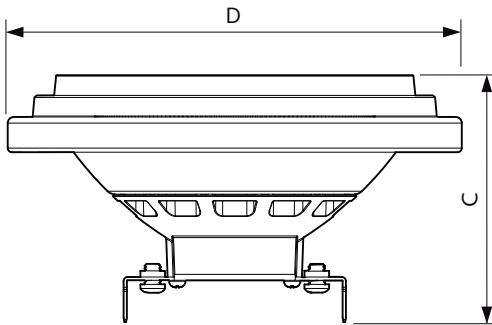
## Approval and application

Energy Efficiency Class	G
Suitable for accent lighting	Yes
Energy consumption kWh/1,000 hours	15 kWh
	648255

## Product data

Full product code	871951433379600
Order product name	MAS ExpertColor 14.8-75W 927 AR111 24D
EAN/UPC – product	8719514333796
Order code	33379600
SAP numerator – quantity per pack	1
Numerator – packs per outer box	6
SAP material	929003042602
Net Weight (Piece)	0.160 kg

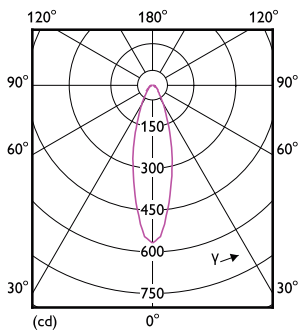
## Dimensional drawing



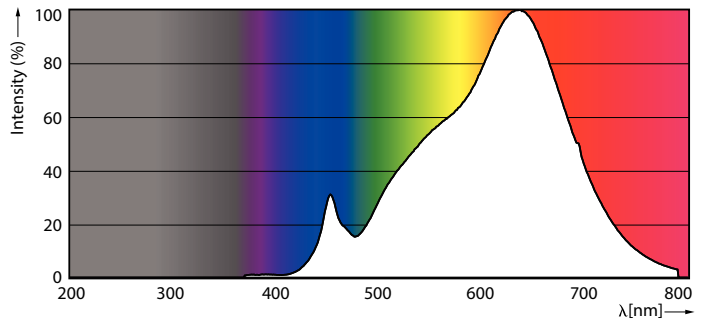
MAS ExpertColor 14.8-75W 927 AR111 24D

Product	D	C
MAS ExpertColor 14.8-75W 927 AR111 24D	111 mm	61 mm

## Photometric data



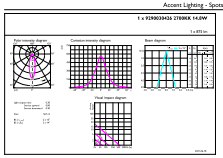
LEDspots MAS SLR 14,8W AR111 G53 927 24D-LDD LDD



LEDspots MAS SLR 14,8W AR111 G53 927 24D-POC POC

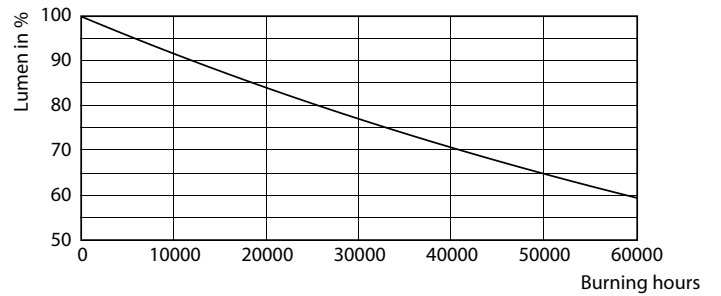
# MASTER LEDspot ExpertColor AR111

## Photometric data



LEDspots MAS SLR 14,8W AR111 G53 927 24D-ADL ADL

## Lifetime



Life Expectancy Diagram

Lumen Maintenance Diagram

