



MASTER LEDspot ExpertColor LV

MASTER LED ExpertColor 6.7-35W MR16 930 10D

MASTER LEDspot LV ExpertColor creates a warm and comfortable ambience for hospitality venues, homes and restaurants. It creates such an ambience with superior lighting that has a customized spectrum, high CRI, and deep dimming feature. The result? A beautiful lighting experience. What's more, the innovative, trimless lens design will suit almost any interior decor with its clean and neat look. In addition, you can take advantage of the full ExpertColor family, which also includes LEDspot MV and LEDspot Par lamps.

Product data

General information		Color Rendering Index (Nom)	
Cap-Base	GU5.3 [GU5.3]		97
CE mark	Yes	LLMF At End Of Nominal Lifetime (Nom)	70 %
EU RoHS compliant	Yes	Luminous Flux in 90° Cone (Rated)	430 lm
Nominal Lifetime (Nom)	40000 h	Operating and electrical	
Switching Cycle	50000	Input Frequency	- Hz
Flux measurement reference	Narrow Cone	Power (Nom)	6.7 W
Tier	MASTER	Lamp Current (Nom)	650 mA
		Wattage Equivalent	35 W
		Starting Time (Nom)	0.5 s
		Warm Up Time to 60% Light (Nom)	0.5 s
		Power Factor (Nom)	0.7
		Voltage (Nom)	ac electronic 12 V
Light technical		Temperature	
Color Code	930 [CCT of 3000K]	T-Case Maximum (Nom)	92 °C
Beam Angle (Nom)	10 °		
Luminous Flux (Nom)	430 lm		
Luminous Intensity (Nom)	4800 cd		
Color Designation	White (WH)		
Correlated Color Temperature (Nom)	3000 K		
Luminous Efficacy (rated) (Nom)	64.00 lm/W		
Color Consistency	<3		

MASTER LEDspot ExpertColor LV

Controls and dimming

Dimmable Only with specific dimmers

Mechanical and housing

Bulb Shape MR16 [2inch/50mm]

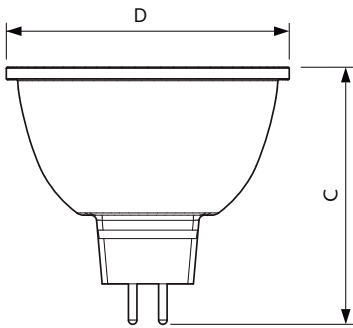
Approval and application

Energy Efficiency Class G
Suitable For Accent Lighting Yes
Energy Consumption kWh/1000 h 7 kWh
EPREL Registration Number 624209

Product data

Full product code 871951435849200
Order product name MASTER LED ExpertColor 6.7-35W MR16 930 10D
EAN/UPC - Product 8719514358492
Order code 929003078902
Numerator - Quantity Per Pack 1
Numerator - Packs per outer box 10
Material Nr. (12NC) 929003078902
Net Weight (Piece) 0.052 kg

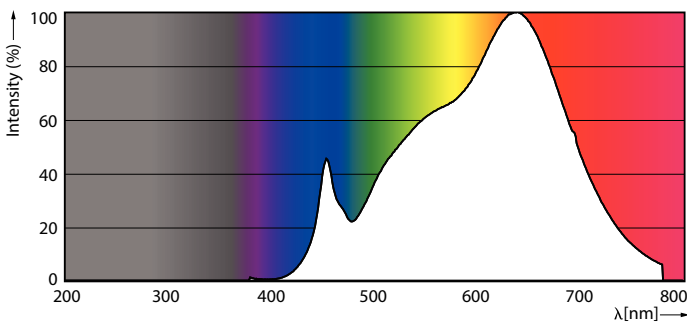
Dimensional drawing



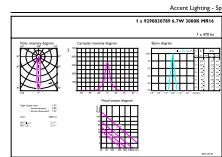
MASTER LED ExpertColor 6.7-35W MR16 930 10D

Product	D	C
MASTER LED ExpertColor 6.7-35W MR16 930 10D	50.5 mm	46 mm

Photometric data



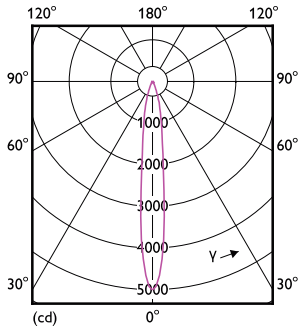
LEDspots MAS IC 6,7W MR16 GU5,3 930 60D-POC



LEDspots MAS IC 6,7W MR16 GU5,3 930 10D-ADL

MASTER LEDspot ExpertColor LV

Photometric data



LEDspots MAS IC 6,7W MR16 GU5,3 930 10D-LDD

Lifetime



Life Expectancy Diagram



Lumen Maintenance Diagram

