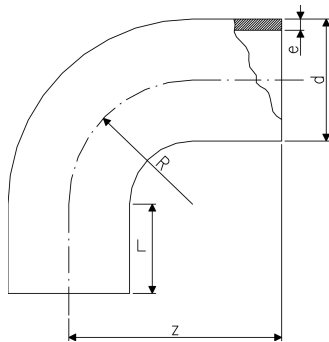




ELGEF Plus Bend 90° PE 100
d32-900mm / SDR11 / Long version

Model:

- 16 bar water
- Made out of seamless pipe
- Bends made out of seamless pipe shall not be shortened
- Radius 1.5 x d
- * FM 1613 approved - 15 bar



d	DN	PN	SDR	Code	Weight	L	R	z	e	
(mm)	(mm)	(bar)			(kg)	(mm)	(mm)	(mm)	(mm)	
32	25	16	11	753 001 208	0.080	70	48	133	2.9	
40	32	16	11	753 001 209	0.140	75	60	150	3.7	
50	40	16	11	753 001 210	0.280	80	75	185	4.6	
63	50	16	11	753 001 211	0.450	90	95	220	5.8	
75	65	16	11	753 001 212	0.650	100	113	238	6.8	
90	80	16	11	753 001 213	1.060	100	135	310	8.2	
110	100	16	11	753 001 214	1.870	120	165	315	10.0	
125	100	16	11	753 001 215	2.920	150	188	363	11.4	
140	125	16	11	753 001 216	3.720	150	210	385	12.7	
160	150	16	11	753 001 217	5.320	150	240	415	14.6	
180	150	16	11	753 001 218	7.100	150	270	445	16.4	
200	200	16	11	753 001 219	9.120	150	300	475	18.2	
225	200	16	11	753 001 220	11.430	150	338	513	20.5	
250	250	16	11	753 001 221	18.700	250	375	650	22.7	
280	250	16	11	753 001 222	24.300	250	420	695	25.4	
315	300	16	11	753 001 223	36.800	250	473	803	28.6	
*	355	350	16	11	753 001 024	53.300	250	533	900	32.3
*	400	400	16	11	753 001 025	71.900	250	600	980	36.4
*	450	450	16	11	753 001 026	97.300	250	675	1070	40.9
*	500	500	16	11	753 001 027	134.000	280	750	1200	45.5
	560	600	16	11	753 001 028	179.300	280	840	1290	50.9
	630	600	16	11	753 001 029	243.200	280	945	1400	57.3
	710	700	16	11	753 001 032	324.000	400	1065	1415	64.5
	800	800	16	11	753 001 033	423.000	400	1200	1550	72.6
	900	900	16	11	753 001 034	615.000	400	1350	1750	81.8

The technical data are not binding. They neither constitute expressly warranted characteristics nor guaranteed properties nor a guaranteed durability. They are subject to modification. Our General Terms of Sale apply.

Georg Fischer Piping Systems Ltd, Postfach, CH-8201 Schaffhausen/Switzerland

Phone +41 -(0)52-631 1111

e-mail: info.ps@georgfischer.com

Internet: <http://www.gfps.com>