

Intellia I.S. Manual Call Points

55100-940

Instruction Sheet
R10019GB0



Contents

1	Intellia I.S. Manual Call Point 55100-940 overview	4
2	Installation	4
2.1	Intrinsically safe products	6

Schneider Electric Fire & Security Oy

Sokerilinnantie 11 C
FI-02600 Espoo, Finland
Tel: +358 10 446 511
Website: www.schneider-electric.com
Document number: R10019GB0
Published: 08.03.2019

© 2018 – Schneider Electric. All Rights Reserved. This information is only to be used as guidance. Subject to changes and errors.

1 Intellia I.S. Manual Call Point 55100-940 overview

When the Addressable Manual Call Point is activated, the Intrinsically Safe Call Point not only interrupts the polling cycle to indicate to the control panel that it has been operated, but also reports its address. Thus, an alarm and its location can be reported in less than 0,2 seconds. The standard call point is based on the waterproof model and is a break-glass call point, and a protective lift-up flap is available. Intellia I.S. Manual Call Point 55100-940 is non-isolated red Manual Call Point.

2 Installation

1. Fit the backbox to a flat surface using the three fixing holes and screws provided. The cable entry holes should be in the vertical plane. The backbox can be mounted with either the single or double entry holes at the top (figure 1)

Note. Cable entry from the bottom of the call point is recommended if there is a possibility of moisture condensing within the conduit or cables.

2. Run the cables into the backbox and connect them to the terminal blocks as shown in figure 2. The backbox has a terminal for inter connecting cable screen/drain wire (if used). The cable screens (functional earth) should be connected to ground at one point only normally near the CIE in the safe area.
3. If a continuity test is to be done. It should be carried out before securing the call point to the backbox (step 5).
4. Set the unit address on the DIL switch in accordance with the address table overleaf.
5. Ensure that the O-ring is correctly seated in the Manual Call Point moulding. Place the cover squarely over the backbox and carefully push the cover until the locating clips have engaged, use the 4 fixing screws to lock the cover in place.
Do not use excessive force, do not over tighten screws.
6. To remove the cover, undo and remove the four cover fixing screws and release the four retaining clips. To do this place a large flat bladed screwdriver into the slot between the cover and backbox and gently twist until the clip disengages. (figure 3). Repeat this for the three remaining clips and pull the cover away from the backbox.

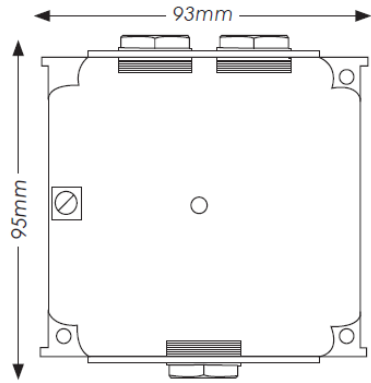


Fig 1 Backbox

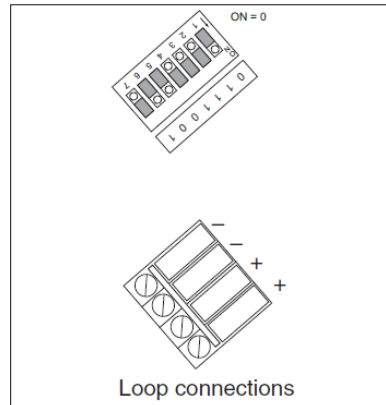


Fig 2 Terminal block connections and address 78 set

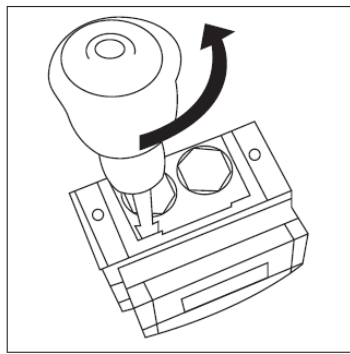
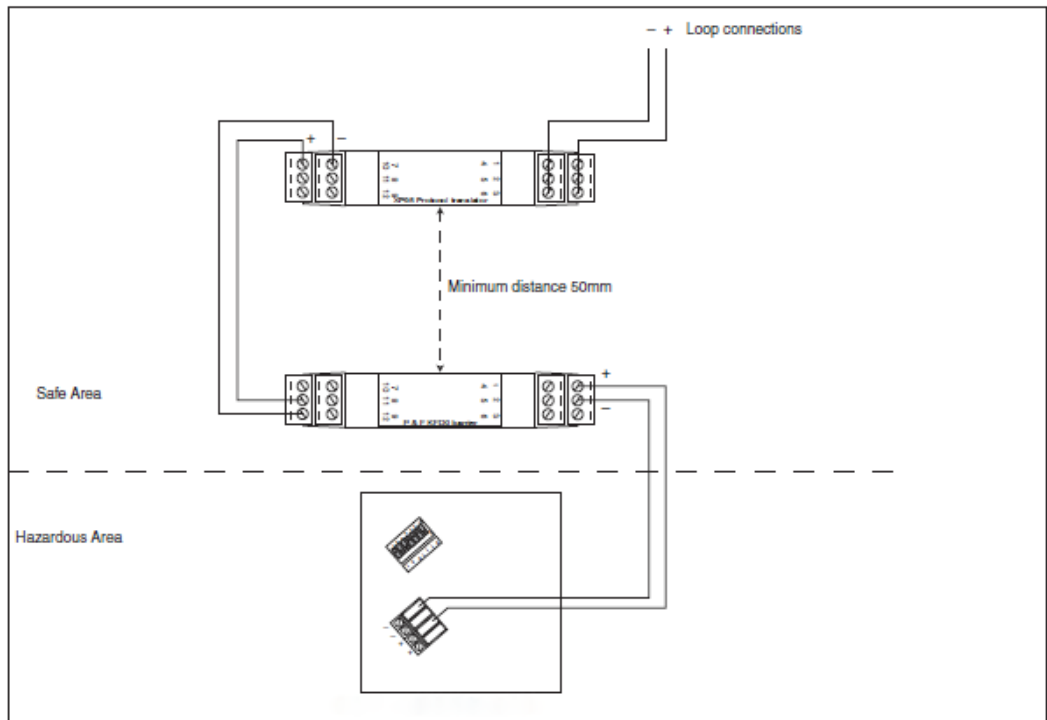


Fig 3 Cover removal



2.1 Intrinsically safe products

Product	Product code
Intellia I.S. Manual Call Point 55100-940	FFS06723737

Product	Product code
Intellia I.S. Ionisation Smoke detector 55000-640 APO	FFS0672 5227
Intellia I.S. Optical Smoke Detector 55000-540 APO	FFS0672 5217
Intellia I.S.Heat Detectors 55000-440 APO	FFS0672 5257
Intellia I.S. Base 55000-215 APO	
Intellia Protocol Translator 5500-855APO	55000-855 (single channel) FFS0672 5201 55000-856 (dual channel) FFS0672 5202
Intellia Galvanic Isolator 29600-098APO (Barrier)	FFS0672 5203
Esmi Conventia IS Manual Call Point ECC201N9 29600-508	FFS06723707

Din Rail Modules enclosures

29600-239APO	FFS0672 7460
29600-240APO	FFS0672 7461