

PRODUCT DATASHEET

LN MAG BATTEN T5 868

LINEAR MAGNETIC BATTEN T5 | Luminaire insert for LED TUBE T5 AC



Areas of application

- Replacement kit for modernizing existing metallic ceiling lights (T8 and T5 Fluorescent) to energy-saving LED technology
- Offices, public buildings
- Supermarkets and department stores
- Industry
- Corridors, foyers, waiting areas

Product benefits

- Retrofitting without completely replacing existing luminaires
- If necessary, the old luminaire may remain installed on the ceiling during the conversion process
- Control gear and wiring may remain in the old luminaire if necessary
- Easy replacement of the LED TUBE T5 AC allows to participate in progress of LED technology over time
- Simple and quick upgrade solution
- Integrated fuse for additional safety
- 5 years guarantee

Product features

- Available in 4 different lengths: 568 mm, 868 mm, 1168 mm and 1468 mm
- Luminaire insert for accommodating one LED TUBE T5 AC 230V
- Suitable for LED TUBE T5 AC, HE or HO, 830/840/865
- Strong neodym magnets



TECHNICAL DATA

Electrical data

Nominal voltage	220...240 V
Mains frequency	50...60 Hz
Protection class	I
Operating mode	Mains voltage

Dimensions & Weight

Length	868.00 mm
Width	25.00 mm
Height	45.00 mm
Product weight	520.00 g
Cable length	610 mm



Materials & Colors

Product color	White
Housing color	White
Body material	Steel
Glow Wire Test according to IEC 60695-2-12	850 °C
Mercury content	0.0 mg

Application & Mounting

Ambient temperature range	-20...+45 °C
Temperature range at storage	-20...80 °C
Type of connection	Screwless terminal, 3-Pole
Type of protection	IP20
Protection class IK (shock resistance)	IK02
Dimmable	No
Mounting type	Surface
Mounting location	Ceiling

Application environment	Indoor
With light source	No
Holder designation	G5




Certificates & Standards

Standards	CE / ENEC / TÜV Rheinland / UKCA / EAC
Luminaire with limited surface temperature, "D sign"	No
Ball shot safe	No

Additional product data

Product remark	Available from February 2023
Number of illuminants	1

DOWNLOAD DATA

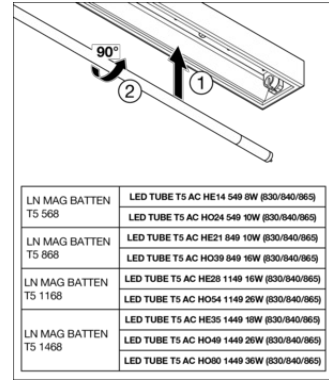
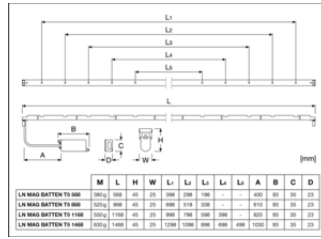
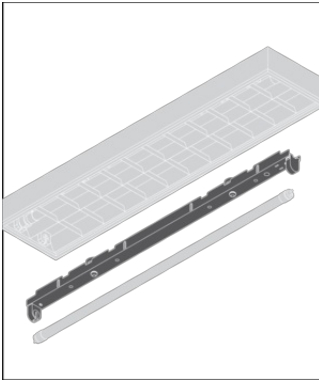
DOWNLOAD DATA	
	User instruction
	Tender documents
	Packaging insert

LOGISTICAL DATA

Product code	Packaging unit (Pieces/Unit)	Dimensions (length x width x height)	Gross weight	Volume
4058075821798	Folding box 1	70 mm x 882 mm x 37 mm	605.00 g	2.28 dm ³
4058075821804	Shipping box 10	904 mm x 372 mm x 90 mm	6542.00 g	30.27 dm ³

The mentioned product code describes the smallest quantity unit which can be ordered. One shipping unit can contain one or more single products. When placing an order, for the quantity please enter single or multiples of a shipping unit.

ADDITIONAL CATALOG INFORMATION



References / Links

- For Guarantee see www.ledvance.com/guarantee

DISCLAIMER

Subject to change without notice. Errors and omission excepted. Always make sure to use the most recent release.