

# ESMI22051TLE multi- criteria smoke heat infrared without Isolator

Instruction Sheet  
R10160GB0



## Schneider Electric Fire & Security Oy

Sokerilinnantie 11 C

FI-02600 Espoo, Finland

Tel: +358 10 446 511

Website: [www.schneider-electric.com](http://www.schneider-electric.com)

Document number: **Error! No text of specified style in document.**

Published: 15.07.2019

© 2019 – Schneider Electric. All Rights Reserved. This information is only to be used as guidance. Subject to changes and errors.

# Contents

<b>1</b>	<b>ESMI22051TLE Multi-criteria smoke heat infrared without Isolator ...</b>	<b>4</b>
1.1	Sensor Installation.....	5

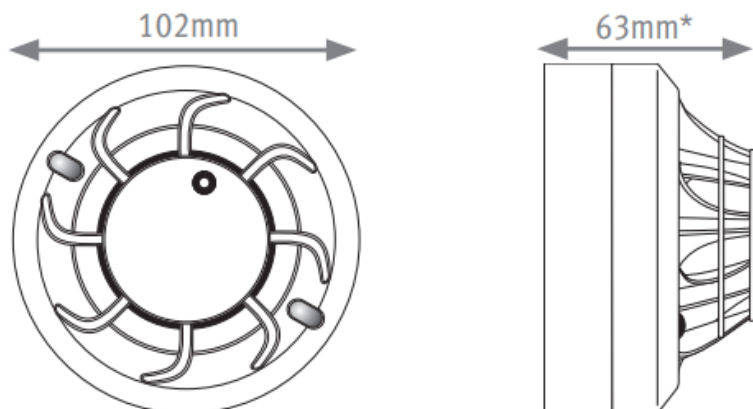
# 1 ESMI22051TLE Multi-criteria smoke heat infrared without Isolator

AP200 series detectors are compatible with Esmi Sense FDP with FX-SLC protocol. AP200 series detectors are compatible with the FX-SLC loop controller (159+159 addresses per loop). The new FX-SLC protocol delivers more devices on the loop and gives greater control, configurability and device management whilst enabling the overall system to be optimized to the location. AP200 series detectors are mechanically and electrically backwards compatible with Series 200 devices. All detectors are environmentally friendly and meet the WEEE and RoHS legislative requirements, minimizing end of life disposal costs. The AP200 series detectors (except ESMI2251CTLE-W) have two integral tri-colour LEDs that provide 360° local visual indication of the device status. The LED colours are red for alarm, amber for fault and green for normal condition. The ESMI2251CTLE-W LED colour is red. The detectors are available with or without single pole short circuit isolation.

The ESMI22051TLE multi-criteria, Photo Thermal Infra Red (PTIR), detector is the environmentally friendly alternative to the ionisation detector. ESMI22051TLE is a unique three sensor multi-criteria fire detector incorporating photoelectric, thermal and IR sensing elements. The “PTIR” offers comparable speed of response to the ionisation technology for a fast flaming fire and is less susceptible to false alarms. It can be deployed with confidence in locations where the main risk is from fast-developing flaming fires. In addition to being an effective alternative to ionisation units, “PTIR” offers better performance over the alternative technologies of dual angle or dual wavelength optical detectors and photo-thermal detectors.

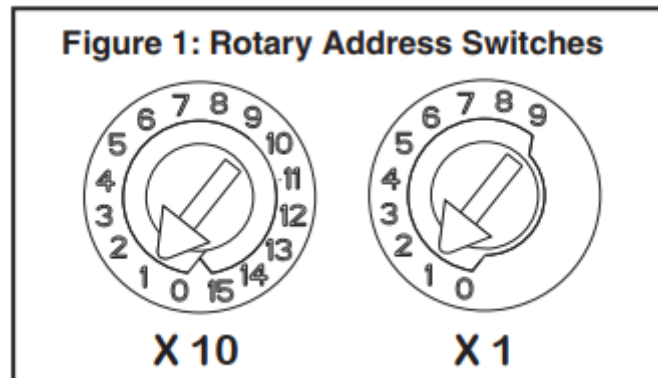
The integration of continual monitoring for all three major elements of a fire enables the ESMI22051TLE to respond far more quickly to an actual fire and has the highest immunity to nuisances. Based upon the sensor signals, the program is dynamically changing sensor thresholds, sensor gain, time delays, combination, sampling rates, averaging rates and, if any sensor fails, changing sensitivity of the remaining sensors as well as indicating a fault condition.

Product code: FFS06710606



## 1.1 Sensor Installation

1. Set the sensor address (see figure 1) by turning the two rotary switches on the underside of the sensor, selecting a number between 01 and 159. (Note: The number of addresses available will be dependent on panel capability, check the panel documentation for information on this). Record the address on the label attached to the base.



2. Insert the sensor into the base and rotate it clockwise until it locks into place.
3. After all the sensors have been installed, apply power to the system.
4. Test the sensor as described under TESTING.
5. Reset the sensor by communication command from the panel.