

# Conventia Mounting Bases

EBC-10

EBC-11

Instruction Sheet

R10143GB0



## **Schneider Electric Fire & Security Oy**

Sokerilinnantie 11 C  
FI-02600 Espoo, Finland  
Tel: +358 10 446 511  
Website: [www.schneider-electric.com](http://www.schneider-electric.com)  
Document number: R10143GB0  
Published: 21.05.2019

© 2018 – Schneider Electric. All Rights Reserved. This information is only to be used as guidance. Subject to changes and errors.

# Contents

<b>1</b>	<b>Conventia Mounting Bases EBC-10 and EBC-11 .....</b>	<b>4</b>
1.1	Schematic Diagram & Wiring Connections .....	5
1.1.1	2 mounting bases and a relay base.....	5
1.1.2	2 mounting bases wired with a common LED .....	5
1.2	Terminals .....	6
1.3	Product Codes .....	6

# 1 Conventia Mounting Bases EBC-10 and EBC-11

The Conventia products are compatible with the FX-CLC loop interface.

Conventia mounting base has been designed to make installation fast and simple. The E-Z fit fixing holes are shaped to allow a simple three-step mounting procedure:

- Fit two screws to the mounting box or surface
- Place the base over the screws and slide home
- Tighten the screws

The base offers two fixing centres at 51 and 60mm. A guide on the base interior indicates the length of cable to be stripped. Five terminals are provided for the cables, four being grouped together for ease of termination.

The terminal screws are captive screws and will not fall out of the terminals. The base is supplied with the screws unscrewed in order to avoid unnecessary work for the installer.

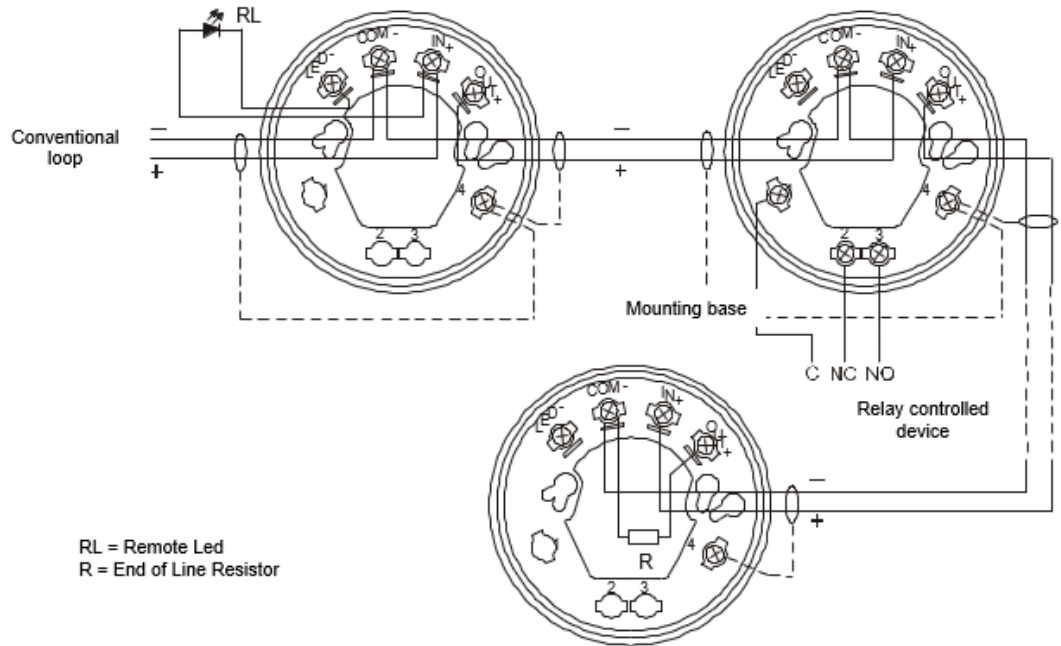
The end-of-line resistor or active device should be connected between the OUT+ and COM- terminals.

If it is required that all detectors be fitted with their LEDs facing the same direction the bases must be fitted to the ceiling observing the marking on the exterior which indicates the position of the LED.

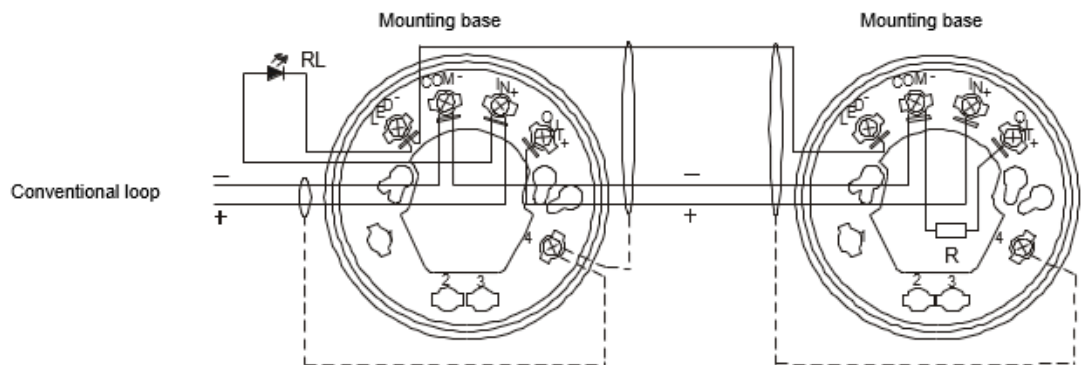
Remote LEDs can be connected to bases, if required.

## 1.1 Schematic Diagram & Wiring Connections

### 1.1.1 2 mounting bases and a relay base



### 1.1.2 2 mounting bases wired with a common LED



## 1.2 Terminals

Mounting base	
LED-	Remote Led -
Com-	Loop in- Loop out - End of Line Resistor
IN+	Loop in +
OUT+	Loop out +
1	Not Used
2	Not Used
3	Not Used
4	Functional earth (screen)

## 1.3 Product Codes

Description	Product code
Standard Mounting Base EBC-10	FFS0672 4010
Deep mounting base EBC-11	FFS0672 4011
Compatible detectors	
Optical smoke sensor EDC-20	FFS0672 4620
Multisensor EDC-30	FFS0672 4621
Heat detector EDC-50/A1R	FFS0672 4650
Heat detector EDC-50/A1S	FFS0672 4651
Heat detector EDC-50/A2S	FFS0672 4652
Heat detector EDC-50/BR	FFS0672 4640
Heat detector EDC-50/BS	FFS0672 4641
Heat detector EDC-50/CR	FFS0672 4646
Heat detector EDC-50/CS	FFS0672 4647