

Thermostatic mixing valves for commercial applications



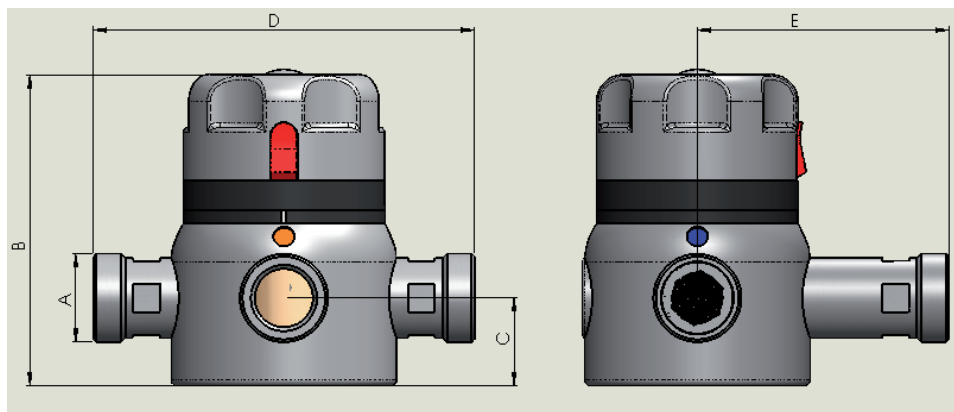
ACS
13 ACC NY 170

Technical characteristics

- Flow from 3 to 190 lpm depending on size
- Recommended pressure : 2-4 bar
- Max pressure : 10 bar
- Max hot water temperature : 85°C
- Possibility of reversing the outlet direction of mixed water
- Anti-scalding safety : Immediate hot water shut-off in case of cold supply failure
- Enables the supply from 1 to 21 sanitary points-of-use

Strong points

- Brass CW617N, chrome-plated finish
- Control knob with a temperature stop at 38°C
- Built-in NF check valves



Sizes	A	B	C	D	E	Flow lpm	Points-of-use	ST model code no.	SE model code no.
3/4	3/4"	117	33	118	81	75	1 to 7	118070	118074
1	1"	117	33	144	95	90	1 to 10	118071	118075
1" 1/4	1" 1/4	125	40	178	107	140	1 to 15	118072	118080
1" 1/2	1" 1/2	125	40	218	129	190	1 to 21	118073	118081

ST model : Thermostatic mixing valve for supply of outlet points with mixed water at 38°C (adjustable).
SE model : Thermostatic mixing valve for hot water distribution in the circulating loop $\geq 55^\circ\text{C}$