



MASTER LEDspot ExpertColor LV

MASTER LED ExpertColor 6.7-35W MR16 927 24D

MASTER LEDspot LV ExpertColor creates a warm and comfortable ambience for hospitality venues, homes and restaurants. It creates such an ambience with superior lighting that has a customized spectrum, high CRI, and deep dimming feature. The result? A beautiful lighting experience. What's more, the innovative, trimless lens design will suit almost any interior decor with its clean and neat look. In addition, you can take advantage of the full ExpertColor family, which also includes LEDspot MV and LEDspot Par lamps.

Product data

General information	
Cap-Base	GU5.3 [GU5.3]
CE mark	Yes
EU RoHS compliant	Yes
Nominal Lifetime (Nom)	40000 h
Switching Cycle	50000
Flux measurement reference	Narrow Cone
Tier	MASTER
Light technical	
Color Code	927 [CCT of 2700K]
Beam Angle (Nom)	24 °
Luminous Flux (Nom)	420 lm
Luminous Intensity (Nom)	2100 cd
Color Designation	Warm White (WW)
Correlated Color Temperature (Nom)	2700 K
Luminous Efficacy (rated) (Nom)	62.00 lm/W
Color Consistency	<3

Color Rendering Index (Nom)	97
LLMF At End Of Nominal Lifetime (Nom)	70 %
Luminous Flux in 90° Cone (Rated)	420 lm
Operating and electrical	
Input Frequency	- Hz
Power (Nom)	6.7 W
Lamp Current (Nom)	650 mA
Wattage Equivalent	35 W
Starting Time (Nom)	0.5 s
Warm Up Time to 60% Light (Nom)	0.5 s
Power Factor (Nom)	0.7
Voltage (Nom)	ac electronic 12 V
Temperature	
T-Case Maximum (Nom)	92 °C

MASTER LEDspot ExpertColor LV

Controls and dimming

Dimmable Only with specific dimmers

Mechanical and housing

Bulb Shape MR16 [2inch/50mm]

Approval and application

Energy Efficiency Class G

Suitable For Accent Lighting Yes

Energy Consumption kWh/1000 h 7 kWh

EPREL Registration Number 624217

Product data

Full product code 871951435853900

Order product name MASTER LED ExpertColor 6.7-35W MR16 927 24D

EAN/UPC - Product 8719514358539

Order code 929003079102

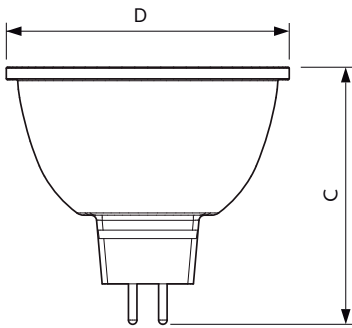
Numerator - Quantity Per Pack 1

Numerator - Packs per outer box 10

Material Nr. (12NC) 929003079102

Net Weight (Piece) 0.052 kg

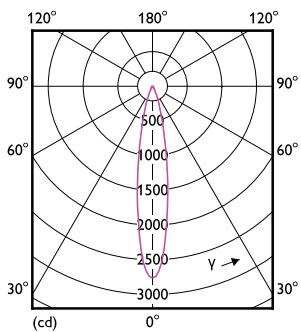
Dimensional drawing



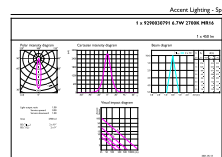
MASTER LED ExpertColor 6.7-35W MR16 927 24D

Product	D	C
MASTER LED ExpertColor 6.7-35W MR16 927 24D	50.5 mm	46 mm

Photometric data



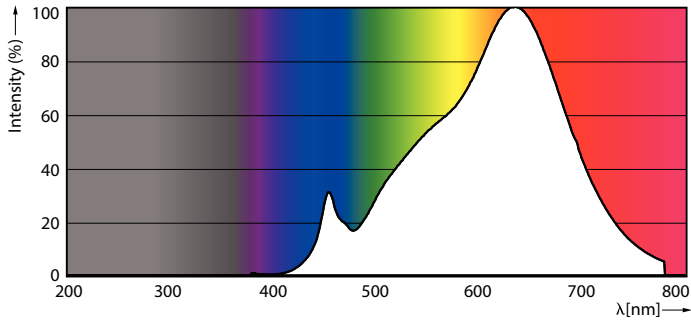
LEDspots MAS IC 6,7W MR16 GU5,3 927 24D-LDD



LEDspots MAS IC 6,7W MR16 GU5,3 927 24D-ADL

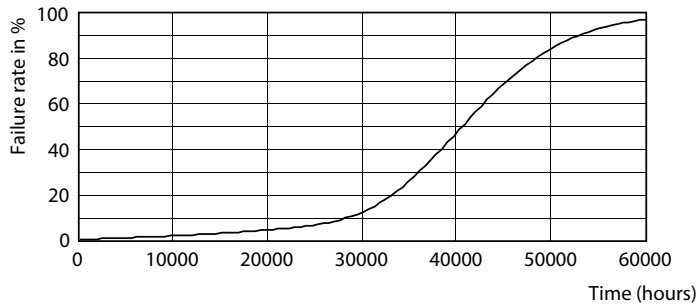
MASTER LEDspot ExpertColor LV

Photometric data



LEDspots MAS IC 6,7W MR16 GU5,3 927 60D-POC

Lifetime



Life Expectancy Diagram



Lumen Maintenance Diagram

