

# DATA SHEET

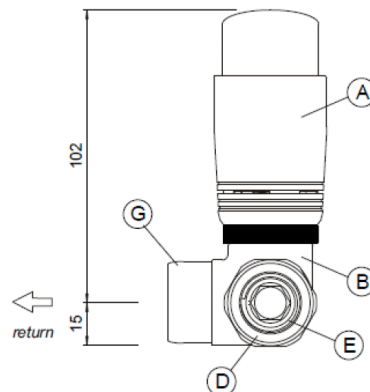
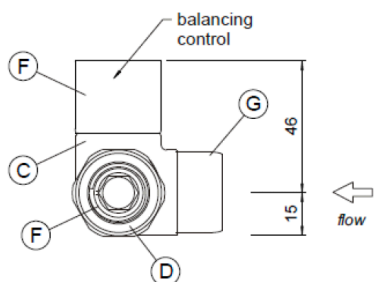
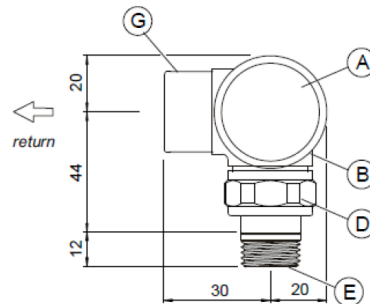
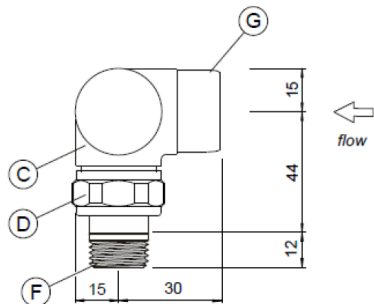
Connection 1/2x1/2- return flow : LH or RH

Surface finish : chrome, white, nickel brushed, black matt

Return temperature setting:

0° | 10° | 20° | 30° | 40° | 50° |

| Tools & Material Required | Key | Component             | Qty | Temperature Settings                   |
|---------------------------|-----|-----------------------|-----|--|
| Allen key - 12mm          | A   | Thermostatic Cap      | 1   | Range 0° - 10° - 20° - 30° - 40° - 50° |
| Adjustable Spanner        | B   | Thermostatic Body     | 1   |  |
|                           | C   | Manual Body           | 1   |  |
|                           | D   | Nut                   | 2   |  |
|                           | E   | Valve Tail (1/2" BSP) | 1   |  |
|                           | F   | Valve Tail (1/2" BSP) | 1   |  |
|                           | G   | 1/2 Female            | 2   |  |



## DATA SHEET

