

Reducer

RCFU



Description

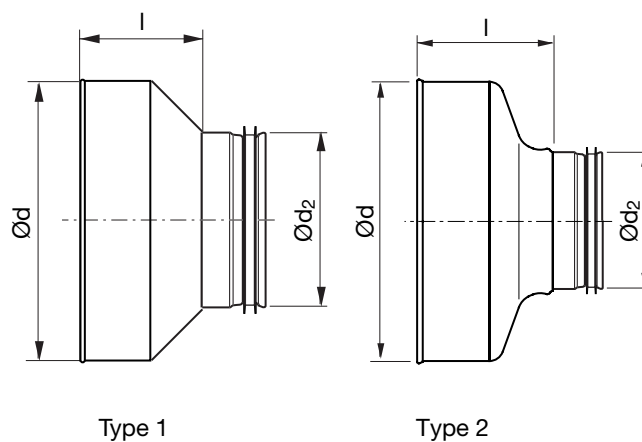
Pressed, concentric reducer with female coupling to meet demands for short installation length with low pressure drop and low internal noise generation. $\varnothing d$ fits outside another fitting.

Has Click function at the Safe end – has an open turned-over end.

Has normally not any Click function at the female end – hasn't any notches.

$\varnothing 80$ – 315 can upon order be delivered with click function at the female end as well – i.e. with notches.

Dimensions



$\varnothing d$ nom	$\varnothing d_2$ nom	l [mm]	Type	m [kg]
80	63	57	1	0,11
100 *	63	70	1	0,14
100 *	80	61	2	0,16
125 *	80	73	2	0,16
125 *	100	64	2	0,14
150 *	100	78	2	0,20
150 *	125	66	2	0,17
160 *	80	92	1	0,24
160 *	100	83	2	0,16
160 *	125	71	2	0,20
160 *	150	59	1	0,25
180	100	98	1	0,24
180	125	85	1	0,31
180	150	68	1	0,24
180	160	66	1	0,27
200 *	100	84	2	0,23
200 *	125	90	2	0,27
200 *	150	75	1	0,34
200 *	160	73	2	0,26
200 *	180	63	1	0,32
224	150	92	1	0,45
224	160	87	1	0,49
224	180	76	1	0,46
224	200	66	1	0,45
250 *	125	133	1	0,57
250 *	150	122	1	0,56
250 *	160	117	2	0,40
250 *	180	107	1	0,55
250 *	200	103	2	0,42
250 *	224	89	1	0,53
300	200	119	1	0,68

Ordering example

Product	RCFU	200	160
Dimension $\varnothing d$			
Dimension $\varnothing d_2$			



Reducer

RCFU

Ød nom	Ød ₂ nom	l [mm]	Type	m [kg]
300	250	94	1	0,66
315 *	160	153	1	0,82
315 *	200	134	2	0,77
315 *	250	108	2	0,65
355	250	136	1	1,04
355	315	97	1	0,89
400 *	200	196	1	1,31
400 *	250	174	1	1,37
400 *	315	133	1	1,20
500 **	250	208	1	2,12
500 **	315	185	1	2,09
500 **	400	150	1	1,95
630 **	315	240	1	2,76
630 **	400	198	1	2,72
630 **	500	148	1	2,69

* With turned-over edge

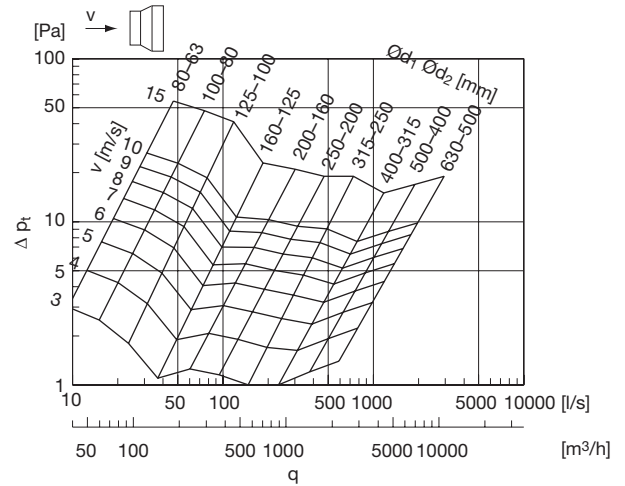
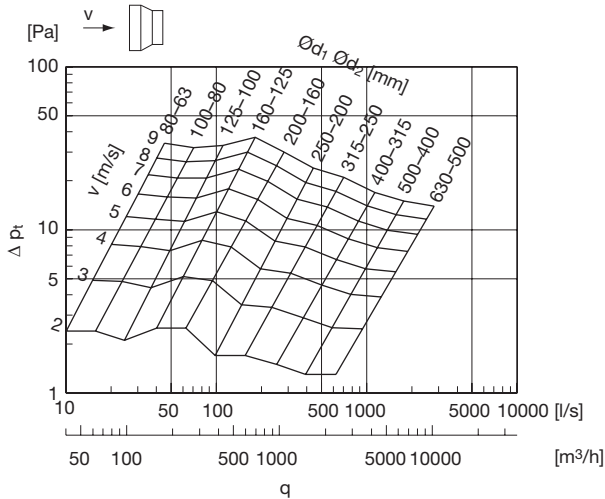
** Hand made

Reducer

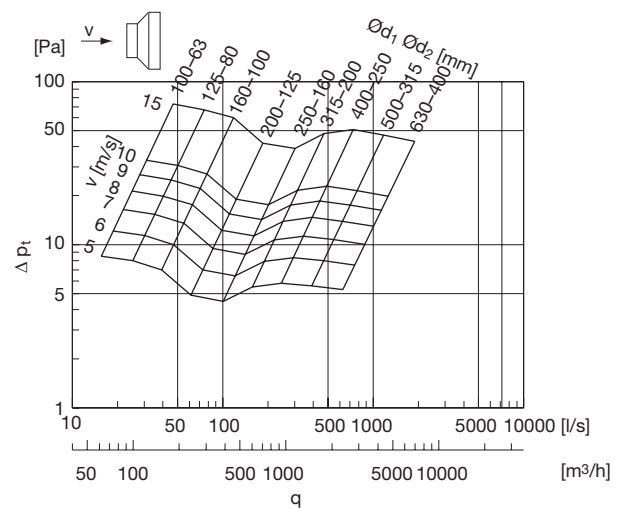
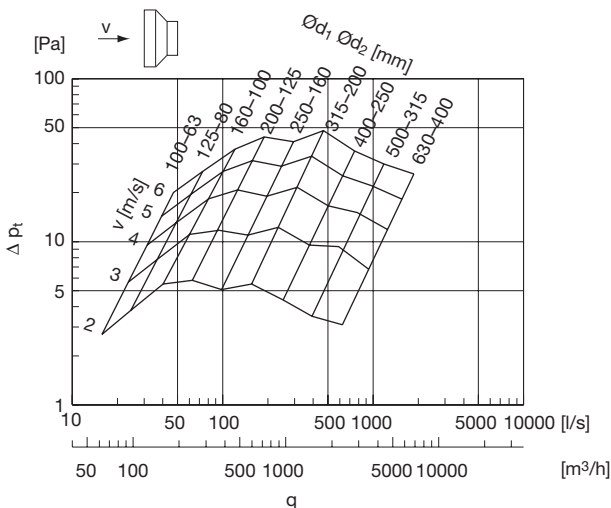
RCFU

Technical data

1 dimension step



2 dimension steps



3 dimension steps

