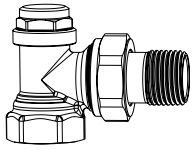
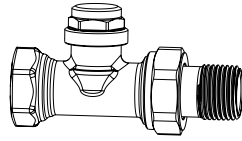


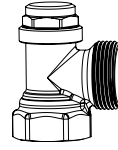
Raditrim



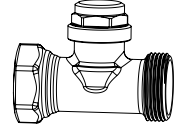
DN 10 50 006-810
DN 15 50 006-815



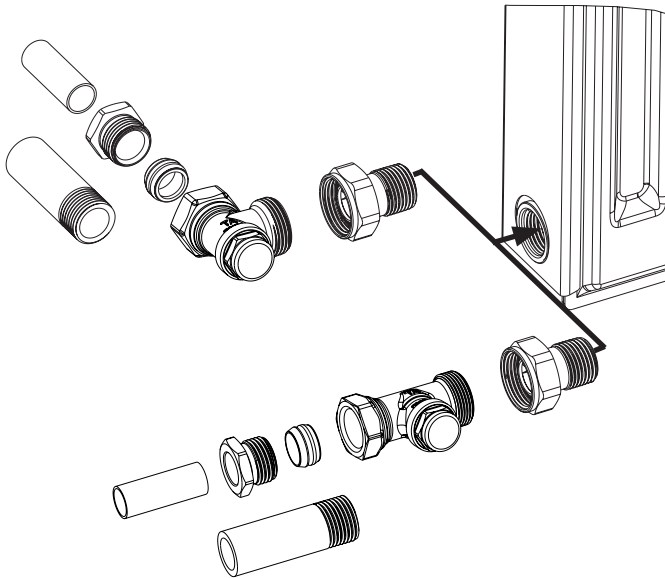
DN 10 50 004-810
DN 15 50 004-815



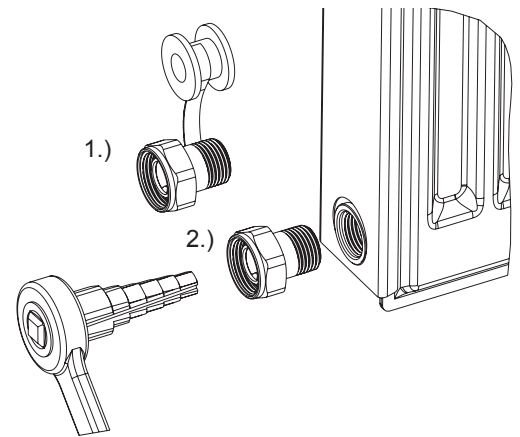
DN 10 50 006-710
DN 15 50 006-715



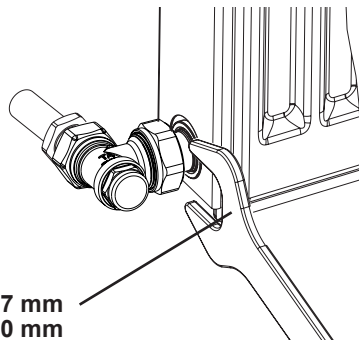
DN 10 50 004-710
DN 15 50 004-715



1

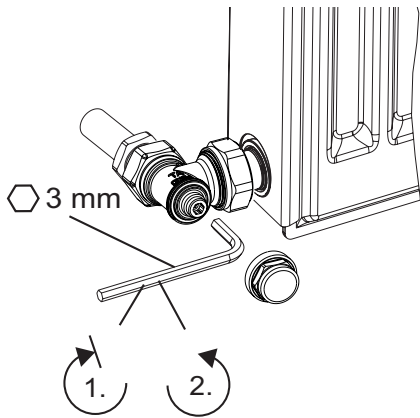
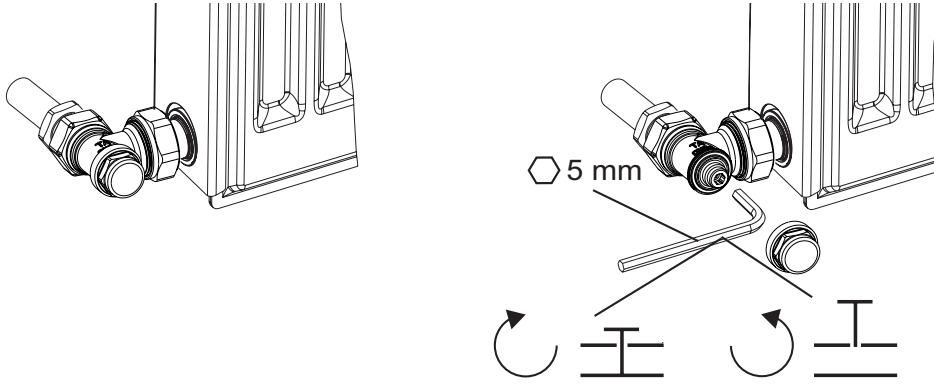
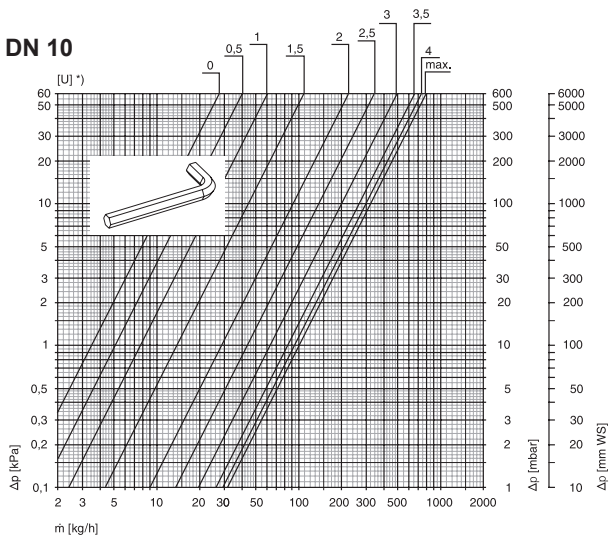
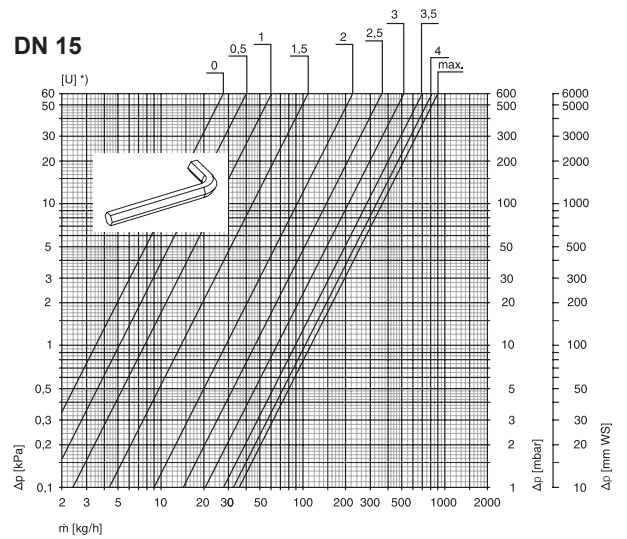


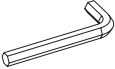

2



3

DN 10 → 27 mm
DN 15 → 30 mm


DN 10

DN 15


DN	Kv									Kvs max (4,25)	
	U *)	0	0,5	1	1,5	2	2,5	3	3,5		4
10 (3/8")		0,035	0,051	0,076	0,142	0,285	0,426	0,601	0,838	0,977	1,000
15 (1/2")		0,035	0,051	0,076	0,142	0,285	0,458	0,648	0,901	1,059	1,140

Kv/Kvs = m³/h at a pressure drop of 1 bar.

We reserve the right to introduce technical alterations without previous notice.