

DTSU666 series three phase four wire electronic energy meter (Din-rail)

DSSU666 series three phase three wire electronic energy meter (Din-rail)

Manual

ZTY0.464.1002

Zhejiang Chint Instrument & Meter Co., Ltd.

July , 2020

Catalog

1. Brief Introduction	1
2. Working Principle.....	2
3. Main Technical Performance & Parameters	3
4. Main function.....	6
5. Outline and installation size.....	10
6. Installation and operation manual.....	11
7. Diagnosis, analysis and elimination for common faults	14
8. Transportation & Storage.....	15
9. Maintenance & Service.....	15

DTSU666 series and DSSU666 series three phase electronic energy meter(DIN-Rail)	ZTY0.464.1002
Operation manual	Page 2, Total 16

- 2) RS485 communication interface, easy to exchange data with outside;
- 3) Adopting the standard DIN35mm din rail mounting and modular design, it is characterized with small volume, easy installation and easy networking.

1.3. Product Model

Table 1 product model and specification

Model	voltage (V)	Current (A)	Impulse constant		Accuracy class
			imp/kWh	imp/kvarh	
DTSU666	3×230/400	1.5(6)A	6400	6400	Active Class 0.5S, Reactive Class 2
		5(80)A	400	400	Active Class 1, Reactive Class 2
DSSU666	3×400	1.5(6)A	6400	6400	Active Class 0.5S, Reactive Class 2
		5(80)A	400	400	Active Class 1, Reactive Class 2

Note: 1.5(6)A is Connection through current transformers, 5(80)A is direct access.

1.4. Temperature range

Regulated working temperature range: $-10^{\circ}\text{C} \sim +45^{\circ}\text{C}$;

Limited working temperature range: $-25^{\circ}\text{C} \sim +75^{\circ}\text{C}$;

Relative humidity(Annually average): $\leq 75\%$;

Atmospheric pressure: 63.0kPa \sim 106.0kPa(altitude 4km and below), excepting the requirements for special orders.

2. Working Principle

2.1. Working Principle

The instrument are composed of high accurately integrated circuit specially for measurement (ASIC) and managing MCU, memory chip, RS485 communication module, etc.

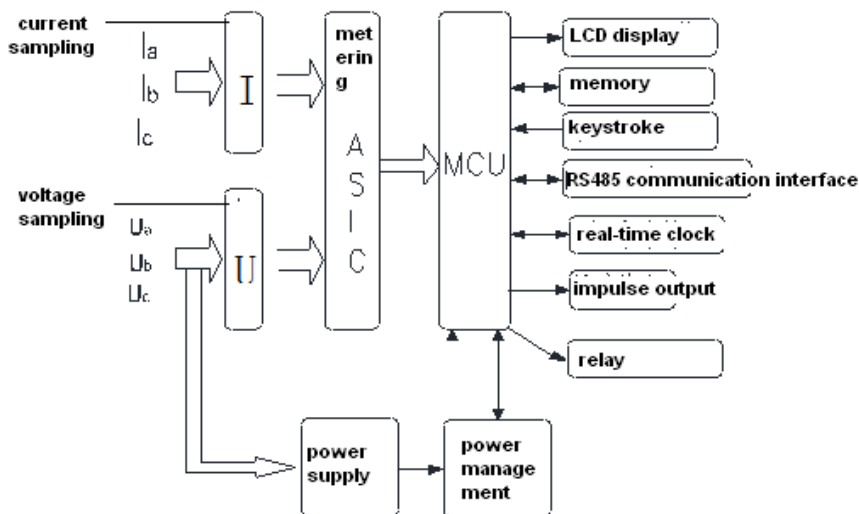


Figure 1 Working principle block diagram

2.2. Principle for the main function module

The special metering integrated circuit (ASIC) integrated six load two order Σ - Δ type of A/D conversion, please take the digital signal processing measured by the voltage circuit as well as all the power, energy, effective values, power factor and frequency. This metering chip can measure the active power, reactive power, apparent power, active energy, reactive power, apparent energy of each phase and combined phase, and at the same time measuring current, voltage effective values, power factor, phase angle, frequency and other parameters, entirely satisfying the needs of power meter. The chip provides an SPI interface, convenient for metering parameters as well as parameter calibration between the management MCU.

3. Main Technical Performance & Parameters

3.1. limit of error caused by the current augment

Table 2 The limit value of the active percentage error of meters on balanced load

Meters for	Value of current	Power factor	Percentage error limits for meters of class		
			0.5S	Class 1	Class 2
Connection through current transformers	$0.01I_n \leq I < 0.05I_n$	1	± 1.0	± 1.5	± 2.0
	$0.05I_n \leq I \leq I_{max}$	1	± 0.5	± 1.0	± 1.2
	$0.02I_n \leq I < 0.1I_n$	0.5L、0.8C	± 1.0	± 1.5	± 2.0
	$0.1I_n \leq I \leq I_{max}$	0.5L、0.8C	± 1.0	± 1.0	± 1.2

DTSU666 series and DSSU666 series three phase electronic energy meter(DIN-Rail)	ZTY0.464.1002
Operation manual	Page 4, Total 16

Direct connection	$0.05I_b \leq I < 0.1I_b$	1	-	± 1.5	± 2.0
	$0.1I_b \leq I \leq I_{max}$	1	-	± 1.0	± 1.2
	$0.01I_b \leq I < 0.2I_b$	0.5L、0.8C	-	± 1.5	± 2.0
	$0.2I_b \leq I \leq I_{max}$	0.5L、0.8C	-	± 1.0	± 1.2
Note	In: secondary rated current of the current transformer; I_b : calibrated current of the meter; L:inductive; C: capacitive;				

Table 3 The limit value of the reactive percentage error of meters on balanced load

Value of current		$\sin\phi$ (inductive or capacitive)	Percentage error limits for meters of class	
Direct connection	Connection through current transformers		Class 2	
$0.05I_b \leq I < 0.1I_b$	$0.02I_n \leq I < 0.05I_n$	1	± 2.5	
$0.1I_b \leq I \leq I_{max}$	$0.05I_n \leq I \leq I_{max}$	1	± 2.0	
$0.1I_b \leq I < 0.2I_b$	$0.05I_n \leq I < 0.1I_n$	0.5	± 2.5	
$0.2I_b \leq I \leq I_{max}$	$0.1I_n \leq I \leq I_{max}$	0.5	± 2.0	
$0.2I_b \leq I \leq I_{max}$	$0.1I_n \leq I \leq I_{max}$	0.25	± 2.5	

Table 4 The limit value of the reactive percentage error of meters on balanced load

Value of current		Power factor	Percentage error limits for meters of class		
Direct connection	Connection through		0.5S	Class 1	Class 2
$0.1 I_b \leq I \leq I_{max}$	$0.05I_n \leq I \leq I_{max}$	1	± 0.6	± 2.0	± 3.0
$0.2I_b \leq I \leq I_{max}$	$0.1I_n \leq I \leq I_{max}$	0.5L	± 1.0	± 2.0	± 3.0

Table 5 The limit value of the reactive percentage error of meters on imbalanced load

Value of current		Power factor	Percentage error limits for meters of class	
Direct connection	Direct connection		Class 2	
$0.1 I_b \leq I \leq I_{max}$	$0.05I_n \leq I \leq I_{max}$	1	± 3.0	
$0.2I_b \leq I \leq I_{max}$	$0.1I_n \leq I \leq I_{max}$	0.5	± 3.0	

3.2. Starting and no-load condition

3.2.1. Starting

DTSU666 series and DSSU666 series three phase electronic energy meter(DIN-Rail)	ZTY0.464.1002
Operation manual	Page 5, Total 16

Under the power factor of 1.0 and started current, the instrument can be started and continuously measure (for multiple phase instrument, it will bring balanced load). If the instrument is designed based on measurement for dual directional energy, then it is applicable for each direction of energy.

Table 6 start current

Meters for	Class of meter			Power factor
	0.5S	1	2	
Direct connection	-	$0.004I_b$	$0.005I_b$	1
Connection through current transformers	$0.001I_b$	$0.002I_b$	$0.003I_b$	1

3.2.2. Test of no-load condition

When the voltage is applied with no current flowing in the current circuit, the test output of the meter shall not produce more than one pulse.

For this test, the current circuit shall be open-circuit and a voltage of 115 % of the reference voltage shall be applied to the voltage circuits.

The minimum test period Δt shall be

$$\Delta t \geq \frac{600 \times 10^6}{k \cdot m \cdot U_n \cdot I_{\max}} [\text{min}] \text{ for meters of class 0.5S or 1}$$

$$\Delta t \geq \frac{480 \times 10^6}{k \cdot m \cdot U_n \cdot I_{\max}} [\text{min}] \text{ for meters of class 2}$$

k is the number of pulses emitted by the output device of the meter per kilovarhour(imp/kvar·h);

m is the number of measuring elements;

U_n is the reference voltage in volts;

I_{\max} is the maximum current in amperes.

3.3. Electrical parameters

Table 7 Electrical parameters

Regulated operating voltage range	$0.9U_n \sim 1.1U_n$	
Extended operating voltage range	$0.8U_n \sim 1.15U_n$	
Power consumption of voltage	$\leq 1.5W$ 和 $6VA$	
Power consumption of current	$I_b < 10A$	$\leq 0.2VA$
	$I_b \geq 10A$	$\leq 0.4VA$
Data storage time after power interruption	≥ 10 years	

DTSU666 series and DSSU666 series three phase electronic energy meter(DIN-Rail)	ZTY0.464.1002
Operation manual	Page 6, Total 16

4. Main function

4.1. Displayed function

From the displayed interface, the electrical parameter and energy data are all primary side data (that is, the multiplied by current and voltage ratios). The energy measuring value will be displayed seven bits, with the displaying range from 0.00kWh to 9999999MWh.

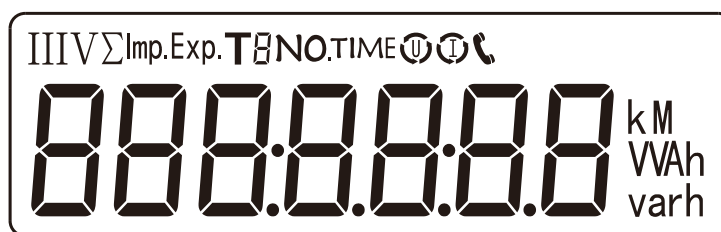


Figure 2 display

Table 8 Display interface

No.	Display interface	Instruction	No.	Display interface	Instruction
1		Combined active energy =10000.00kWh	10		Phase B current =5.001A
2		Positive active energy =10000.00kWh	11		Phase C current =5.002A
3		Reserve active energy =2345.67kWh	12		Combined phase active power =3.291kW
4		Protocol: DT/L645-2007 address = 000000000001	13		Phase A active power =1.090kW
5			14		Phase B active power =1.101kW

DTSU666 series and DSSU666 series three phase electronic energy meter(DIN-Rail)	ZTY0.464.1002
Operation manual	Page 7, Total 16

(4)		Protocol: MdoBus-RTU; address =001 Baudrate=9600 None parity, 2 stop bits	15		Phase C active power =1.100kW
(5)			16		Combined phase power factor PFt=0.500
6		Phase A voltage =220.0V	17		phase A power factor PFa=1.000
7		Phase B voltage =220.1V	18		Phase B power factor PFb=0.500
8		Phase C voltage =220.20V	19		phase A power factor PFc=-0.500
9		Phase A current =5.001A			

NOTE: Protocol:DL/T645-2007 display 4 and 5, Protocol:Modbus-RTU display (4) and (5)

4.2. Programming function

4.2.1. Programming function

Table 9 Programming Parameter

Parameter	Value range	Description
C_t	1~9999	Current ratio, used for setting the input loop current ratio: When the current is connected to the line via the transformer, C_t =the rated current of the primary loop / the rated current of the secondary circuit; When the current is directly connected to the line, C_t shall be set as 1.
P_t	0.1~999.9	Voltage ratio, used for setting the voltage ratio of the input loop;

DTSU666 series and DSSU666 series three phase electronic energy meter(DIN-Rail)	ZTY0.464.1002
Operation manual	Page 8, Total 16

		When the voltage is connected to the line via the transformer, Pt= the rated voltage of the primary loop / the rated voltage of the secondary circuit; When the voltage is directly connected to the line, Pt shall be set as 1.0.
<i>Prot</i>	1: 645; 2: n.2; 3: n.1; 4: E.1; 5: O.1;	Settings for communication stop bit and Parity bits: 1: DL/T645-2007 mode; 2: None parity, 2 stop bits, n.2; 3: None parity, 1 stop bit, n.1; 4: Even parity, 1 stop bit, E.1; 5: Odd parity, 1 stop bit, O.1;
<i>bAud</i>	0: 1.200; 1: 2.400; 2: 4.800; 3: 9.600;	Communication baud rate: 0: 1.200 bps; 1: 2.400 bps; 2: 4.800 bps; 3: 9.600 bps;
<i>Addr</i>	1~247	Communication address
<i>nEt</i>	0: n.34; 1: n.33;	Option for wiring mode: 0: n.34 represents three phase four wire; 1: n.33 represents three phase three wire.
<i>CLrE</i>	0:no; 1:E	The setting is 1, representing the allowed instrument energy data clearance, which will be zero reset after clearing.
<i>PLuS</i>	0:P; 1:Q; 2:S;	Pulse output: 0: active energy pulse; 1: reactive energy pulse; 2: Others.
<i>dISP</i>	0~30	Display in turns(second) 0: Timely display; 1~30: Time interval of actual display.
<i>bLcd</i>	0~30	Backlight lighting time control (minutes) 0: Normally light; 1~30: backlight lighting time without button operation

4.2.2. Programming operation

Button description: “SET” button represents “confirmation”, or “cursor shift” (when input digits), “ESC” button represents “exit”, “→” (“ ”) button represents “add”. The input code is (default 701).

DTSU666 series and DSSU666 series three phase electronic energy meter(DIN-Rail)	ZTY0.464.1002
Operation manual	Page 9, Total 16

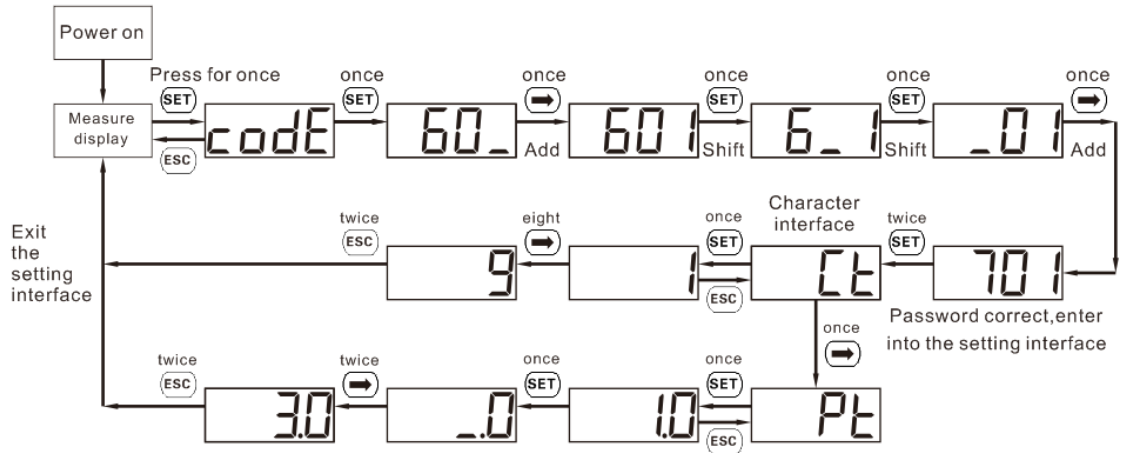


Figure 3 Setting examples for current and potential transformer ratio

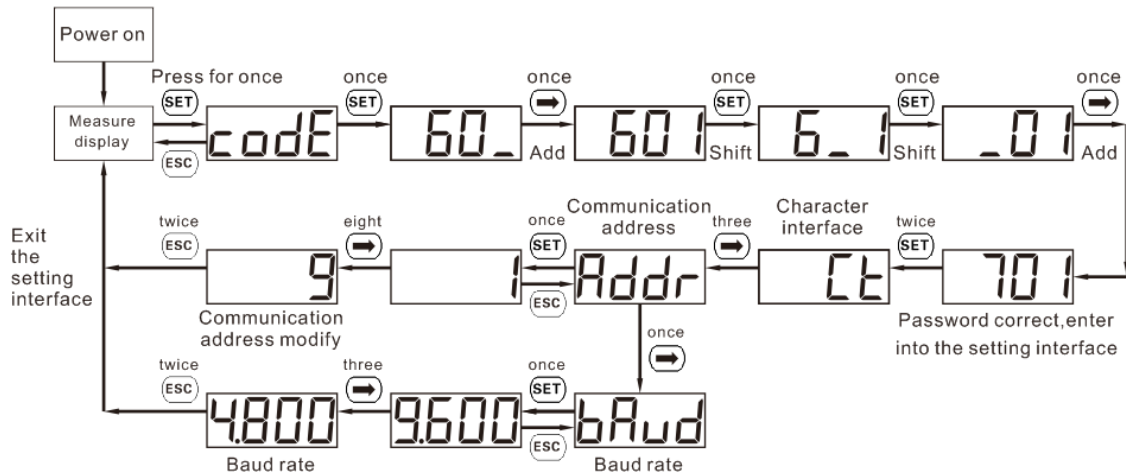


Figure 4 Setting examples for communication address and Baud Rate

When input digits, “**SET**” can be used as cursor “_” motion button; “**→**” is “add” button, “**ESC**” is Exit the programming operation interface or switch to the character interface from digit modification interface, add from the beginning after setting the digit to the maximum value.

4.3. Communication function

Characterized with a RS485 communication interface, the baud rate can be changed between 1200bps, 2400bps, 4800bps and 9600bps. It conforms to DL/T645-2007 or ModBus-RTU protocol<the communication protocol of the multifunction energy meters> .

Factory default communication parameters is DL/T 645-2007 protocol, the default baud rate is 2400bps, with the calibration bit and stop bit to be E.1 and instrument address (please see instrument factory number or crystal display screen).

DTSU666 series and DSSU666 series three phase electronic energy meter(DIN-Rail)	ZTY0.464.1002
Operation manual	Page 10, Total 16

Customized communication parameter is ModBus-RTU protocol, the baud rate is 9600bps, with the calibration bit and stop bit to be n.1, and the instrument address to be 1(according to the request).

4.4. Energy measurement function

The horizontal axis of the measurement plane represents the current vector I (fixed on the horizontal axis), and the instantaneous voltage vector is used to represent the current power transmission. Compared with the current vector I, it has phase angle ϕ . The counter-clockwise direction ϕ angle is positive.

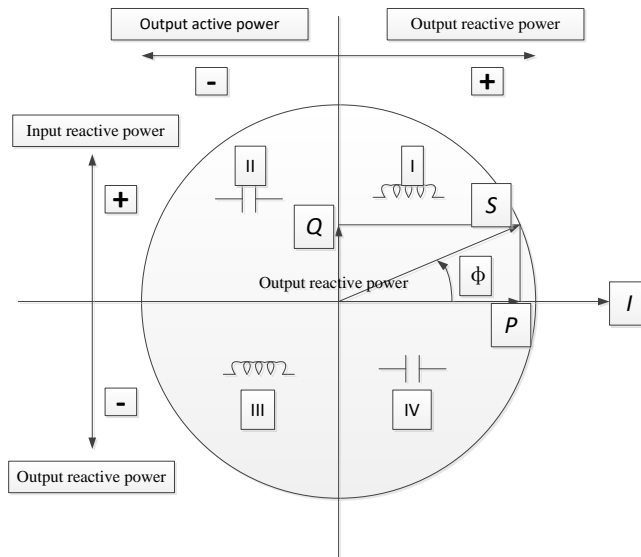


Figure 5 Measurement schematic diagram for energy four quadrants

Combined active energy=positive active energy + reverse active energy

Combined reactive 1 energy=I+IV; Combined reactive 2 energy=II+III.

5. Outline and installation size

Table 10 Installation size

Model	modulus	Outline size (length× width× height) mm	Installation size (din rail)
DTSU666	4	100×72×65	DIN35 din rail
DSSU666	4		

DTSU666 series and DSSU666 series three phase electronic energy meter(DIN-Rail)	ZTY0.464.1002
Operation manual	Page 11, Total 16

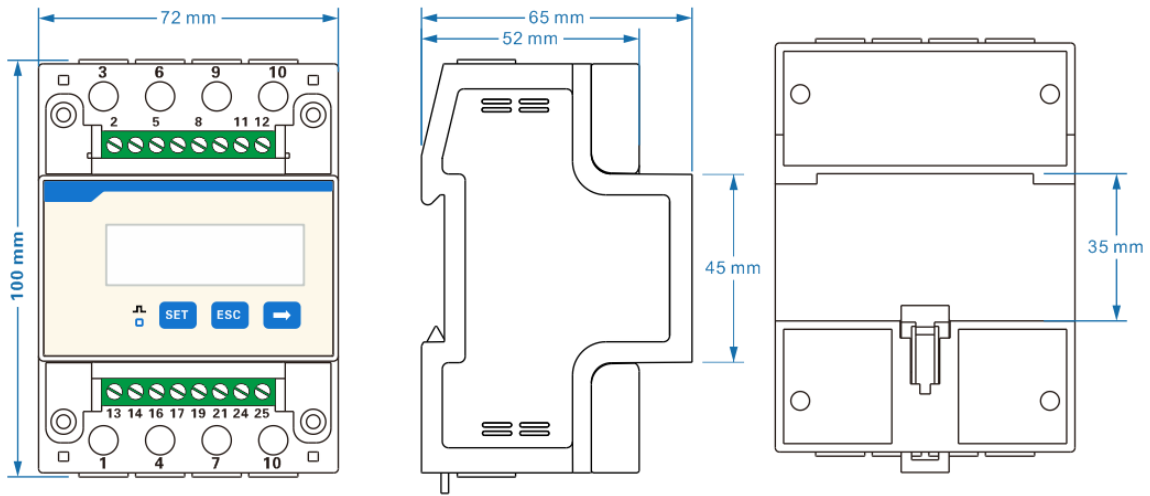


Figure 5 Outline size diagram

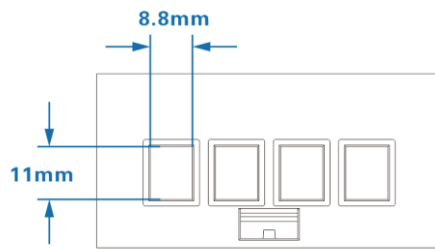


Figure 6 current cable terminal (Conductor Cross-sectional Area Range $\leq 16 \text{ mm}^2$)

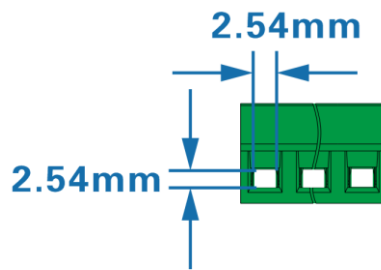


Figure 7 RS485 cable terminal (Conductor Cross-sectional Area Range 0.25-1mm²)

6. Installation and operation manual

6.1. Inspection Tips

When unpacking the carton, if the shell has obvious signs caused by severe impact or falling, please contact with the supplier as soon as possible.

After the instrument being removed from the packing box, it should be placed on a flat and safe plane, facing up, not overlaying for more than five layers. If not installed or used in a short time, the electric meter shall be packed and placed to the original packing box for storage.

DTSU666 series and DSSU666 series three phase electronic energy meter(DIN-Rail)	ZTY0.464.1002
Operation manual	Page 12, Total 16

6.2. Installation and tips

6.2.1. Installation and Inspection

If the model No or configuration in the original packing box is not in accordance with the requirement, please contact with the supplier. While, if the inner package or shell has been damaged after removing the instrument from the packing box, please do not install, power on the instrument, please contact with the supplier as soon as possible, instead.

6.2.2. Installation

It requires experienced electrician or professional personnel to install it and you must read this operation manual. During the installation, if the shell has obvious damage or marks caused by violent impact or falling, please do not install it or power on and contact with the supplier as soon as possible.

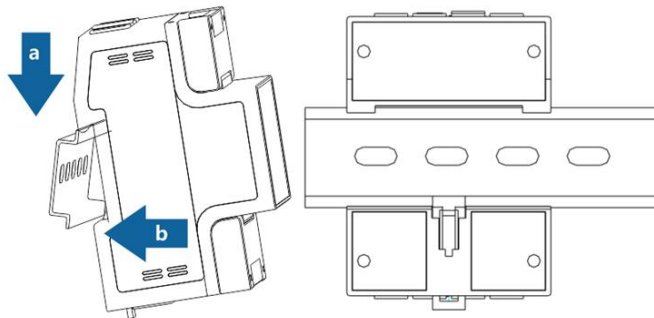


Figure 8

6.3. Typical wiring

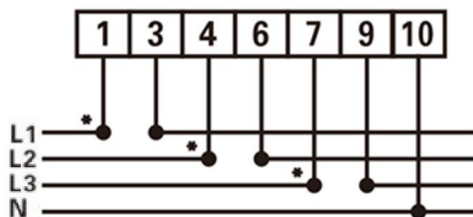


Figure 10 Three phase four wire: direct connect

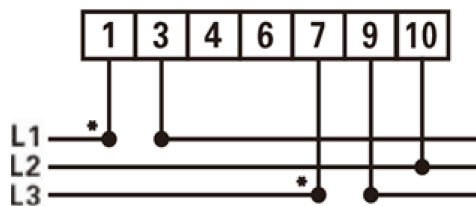


Figure 11 Three phase three wire: direct connect

DTSU666 series and DSSU666 series three phase electronic energy meter(DIN-Rail)	ZTY0.464.1002
Operation manual	Page 13, Total 16

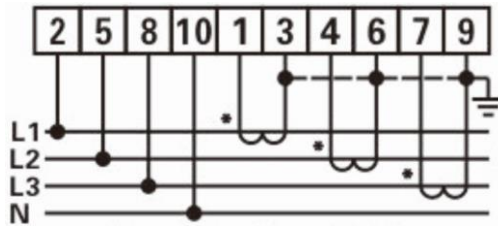


Figure 12 Three phase four wire: via current transformer

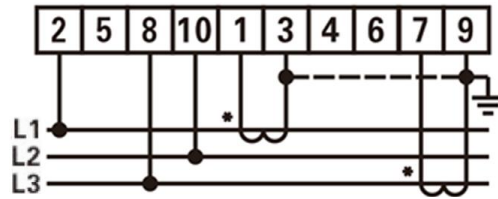


Figure 13 Three phase three wire: via current transformer

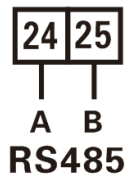


Figure 14

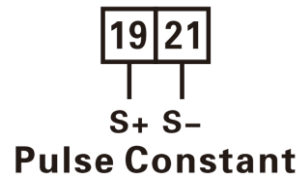


Figure 15

◆ Voltage signal (only for connection via current transformer)

2-----UA (Phase A voltage input terminal)

5 -----UB (Phase B voltage input terminal)

8-----UC (Phase C voltage input terminal)

10-----UN (Phase N voltage input terminal)

◆ Current signal:

1-----IA*(Phase A current input terminal)

3-----IA (Phase A current output terminal)

4-----IB*(Phase B current input terminal)

6-----IB (Phase B current output terminal)

7-----IC*(Phase C current input terminal)

9-----IC(Phase C current output terminal)

◆ RS485 Communication wire

24-----A (RS485 Terminal A)

25-----B (RS485 Terminal B)

◆ Auxiliary function

19----- Active energy and reactive energy output high terminal

21----- Active energy and reactive energy output low terminal

NOTE:In the Figure 10、11、12、13, the L1、L2、L3 correspond to Phase A、Phase B、Phase C

DTSU666 series and DSSU666 series three phase electronic energy meter(DIN-Rail)	ZTY0.464.1002
Operation manual	Page 14, Total 16

7. Diagnosis, analysis and elimination for common faults

Fault phenomenon	Reason analysis	Elimination
No display when powered on	<ol style="list-style-type: none"> 1、 Incorrect wiring 2、 Abnormal voltage for the instrument 	<ol style="list-style-type: none"> 1. If it is wrongly connected, please reconnect based on the right wiring mode (see the wiring diagram). 2. If the supplied voltage is abnormal, please choose the specified voltage. 3. If not the above problems, please contact with the local supplier.
Abnormal RS485 communication	<ol style="list-style-type: none"> 1. RS485 communication cable is opened, short circuit or reversely connected. 2. Address, baud rate, data bit and check bit is not in accordance with the host computer. 3. The end of RS485 communication cable has not been matched with resistance (when the distance over than 100 meters) 4. Not matched with the communication protocol order of the host computer 	<ol style="list-style-type: none"> 1. If there is any problem with the communication cable, please change it. 2. Set the address, baud rate, data bit and check bit through buttons and confirm it is the same with the host computer, then set the operation to be “parameter settings”. 3. If the communication distance is over than 100 meters, and the communication parameter settings are the same as the host computer, but cannot be communicated, then please lower the baud rate or add a resistance of 120Ω at the start terminal and ending terminal.
Abnormal data for the electrical parameter (voltage, current, power, etc.)	<ol style="list-style-type: none"> 1. The transformer's ratio hasn't been set, and the instrument displays the 	<ol style="list-style-type: none"> 1. If setting the transformer ratio, please set the voltage ratio and current ratio based on

DTSU666 series and DSSU666 series three phase electronic energy meter(DIN-Rail)	ZTY0.464.1002
Operation manual	Page 15, Total 16

	secondary side data. 2. Wrong wiring.	“parameter setting” 2. If wrongly connected, please connect the voltage and current of phase A, B and C to the wiring terminal of the instrument.
Abnormal data for the electrical parameter read by communication (voltage, current, power, etc.)	1. Data read by communication is secondary side data, without transformer ratio. 2. Wrong analysis for data frame	1. Multiply the data read by communication with the voltage ratio and current ratio. 2. Analyze the data frame based on the format of the communication protocol, please pay attention to the mode of the big and small end of data.

8. Transportation & Storage

When transporting and unpacking the products, please confirm they are not severely impacted, transporting and storing based on Transportation, basic environmental conditions and testing methods for instrument and meters of JB/T9329-1999.

The instrument and accessories shall be stored in the dry and ventilated places, to avoid humidity and corrosive gas erosion, with the limited environmental temperature for storage to be $-40^{\circ}\text{C} \sim +70^{\circ}\text{C}$ and relative humidity not exceeding 85%.

9. Maintenance & Service

We guarantee free reparation and change for the multi-meter if found any unconformity with the standard, under circumstance of that the users fully comply with this instructions and complete seal after delivery within 18 months.

DTSU666 series and DSSU666 series three phase electronic energy meter(DIN-Rail)	ZTY0.464.1002
Operation manual	Page 16, Total 16

Dear clients,

Please assist us: when the product life is end, to protect our environment, please recycle the product or components, while for the materials that cannot be recycled, please also deal with it in a proper way. Really appreciate your cooperation and support.

Name of Company: Zhejiang Chint Instrument & Meter Co., Ltd.

Address: Wenzhou Bridge Industrial Zone, Yueqing, Zhejiang, China.

Zip Code: 325603

Telephone: 0577-62877777

Fax: 0577-62891577

Service hotline: 4008177777

Fake Complaint: 0577-62789987

Website: <http://www.chint.com>

Email: ztyb@chint.com

Date of Issue: July , 2020

No.:ZTY0.464.1002V2